



**ALLAH
YA
MAIMAITA NAIJA
(AMIN).**

Courtesy:
GOMBE PROGRESSIVES PAVILLION

Alh. Muhammad Danjuma Goje

NEWS
Third Term:
Governors
converge in
Bauchi

Page 3

ZUMA FILM FESTIVAL
11th - 16th March, 2006
Abuja, NIGERIA.
*Theme: Ingenuity:
The Harvest of our
Creative Spirit*
For further information contact:
ZUMA FILM FESTIVAL ORGANISING COMMITTEE
Address: c/o Nigerian Film Corporation Hqtrs., 218T Liberty Dam Road, P.O. Box 680, Abuja, Nigeria. Tel: 011-979 35410. Website: www.zumafilmfestival.com

RIMI'S FAMILY TRAGEDY

First son, Adamu, is dead

● *No squabble in my family - Rimi*



Late Adamu Abubakar Rimi

Doctor rules out murder

Late Adamu Abubakar Rimi was brought to the hospital in coma with blood oozing from his nose and signs of hemorrhage. Dr. Ja'afaru Shitu, medical director of Classic Clinic, Kano, told *Daily Trust* yesterday in Kano.

Dr. Shitu who is the family doctor to the Abubakar Rimis in-charge of the children said records of the nurse on duty indicate that the late

Adamu Rimi was brought to the clinic in an unconscious state by three of his relatives and two mobile policemen.

He stated that though there were evidence of intoxication in him, there was however no sign of wounds or beating.

He said such cases could be caused by a fall and hitting the head on something or a blow to the head.

The medical director said

Barely a week after the murder of his wife, Hajija Sa'adatu, former Kano State governor, Alhaji Abubakar Rimi yesterday also lost his eldest son, Adamu.

Family sources told *Daily Trust* that late Adamu was hale and hearty as at 12 midnight on Saturday before he fell ill later in the night and was rushed to Classique clinic along Abbas road where he died at about 5.30am.

The source who is closely related to late Abubakar Rimi's wife, Sa'adatu Rimi, said late Adamu was in their company at home up to midnight before he received a call from his friends and decided to go out.

"We even asked him to tell them to come and meet him in the house but he decided to go out," the source said, adding that he later returned late at night but complained of stomach ache and was taken to Classique clinic where he later passed away.

When contacted on the state and condition in which the late Adamu Rimi was taken to the clinic, one of his brothers, Abubakar Mohammed Rimi, said the late

late Adamu Rimi was brought to the clinic early in the morning and doctors in the clinic struggled to revive him to no avail. His blood pressure was low, his pulse was very low and his body temperature was low, the doctor stated, adding that attempts were made to reduce his bleeding.

"He was however confirmed dead at 5:30 am when all efforts to revive him failed," Dr. Shitu concluded.

From Musa Umar Kazaure, in Kano Emmanuel Bello, in Abuja

Adamu collapsed and hit his head on the toilet seat three days ago after he was brought back to the house from a rehabilitation center.

He also revealed that the deceased suffered injuries on his nose and forehead the night of the accident.

Aged 43, late Adamu Abubakar Rimi was said to have been brought home to receive condolences last Friday from the NDLEA rehabili-

tation centre, Kano, where he was receiving treatment. A graduate of Ahmadu Bello University, Zaria, the late Adamu Abubakar Rimi was described as brilliant and intelligent by his peers.

He attended Birnin Kudu Primary School, Kano and had his secondary education in Hadejia before proceeding to Lagos for computer training. He is the son of Hajija Amina, Abubakar Rimi's first wife.

He was buried yesterday at Tarauni graveyard after the funeral prayers held in Rimi's home led by Alhaji Yakubu

Yahaya Liman, the Chief Imam of Tarauni Juma'at mosque.

Among those at the burial ceremony were the governors of Kano, Bauchi, Nasarawa and the deputy governor of Borno state. Others included Aminu Dantata, the *Waziri* of Kano and many traditional rulers and politicians.

Following media reports that the son of former Minister of Communications, Alhaji Abubakar Rimi, has been arrested in connection with his brother's death, Alhaji Rimi told *Daily Trust* that there is

Cont. on Pg. 2

I am innocent - Dan Agundi

By Musa Umar Kazaure, Regional Editor Kano & Shehu Abubakar, Reporter

message that incriminated him in the first place. He stated that he had received dozens of abusive text mes-

sages from the same anonymous number which he said he deleted.

Daily Trust investigations revealed that the GSM number through which a text message was sent to the police

Cont. on Pg. 2

Police deny arresting Rimi's son

From Jamilah Nuhu Musa, Correspondent (Kano)

The Kano state police command has denied reports that one of Rimi's sons, Abubakar, was arrested in connection with the murder case being investigated.

In a press statement issued in Kano, the police public relations officer (PPRO) DSP Baba Mohammed, expressed concern over what it called "negative news report-

ing" by *The Comet* newspaper in its Friday, January 20, 2006 edition captioned "Rimi's son arrested in murder probe."

The statement said that the report further alleged the detention of Rimi's son at the state police command headquarters in Bompai in connection with the murder case.

The press release noted

Cont. on Pg. 2

COUNT DOWN TO CENSUS 2006
(21 - 25 March)
58 DAYS TO GO
MAKE SURE YOU ARE
COUNTED ONCE ONLY

News

RIMI'S FAMILY TRAGEDY

Kano reacts over calamity

Adamu *Cont. from pg. 1*

no truth in the allegation. According to him, there is no family squabble within his household and that the press has not been fair to him. "I'm here, a bereaved man and all that you journalists can do is to insinuate on what hap-

pened."

On his son's death, he said that; "my son was sick and then died. We took him to the hospital and he died there. My son has died and no one can bring him to life. Period."

Dan Agundi *Cont. from pg. 1*

incriminating Alhaji Aminu Babba Dan Agundi, has been traced to a member of the royal family in Kano who is currently helping the police in their investigations. Our source said the police investigating team led by Mr. O. O. Onovo, a Deputy Inspector General (DIG) of police, with the assistance of the MTN, were able to trace the owner of the GSM number and that the subscriber is currently under interrogation.

When contacted for confirmation, ACP Abdullahi Yuguda, who is a member of the investigation team, said only the DIG in-charge of the investigation can comment on such a matter and he is currently away in Abuja.

Attempts to contact the DIG in Abuja through his GSM numbers failed. A lady who answered the phone said the DIG was unavailable but will return the reporter's call in an hour. Up to the time of filing the report however, there was no response from the DIG.

When contacted for comments, the police public relations officer (PPRO), Kano state Command, DSP Baba Mohammed, said he was not competent to speak on the matter because the force headquarters is handling the investigation.

On his part, Force public relations officer (FPRO), Mr. Haz Iwendi, a DCP, denied earlier reports quoting DIG Ogbonna Onovo as saying that a Kano based businessman was arrested over the murder case and later released by the police.

"The DIG did not say that. We asked him from here and

Police

Cont. from pg. 1

that the DIG "D" Department, Mr. Ogbonna O. Onovo, had addressed a larger press conference but did not mention the arrest of Rimi's son whether before, during or after the conference.

The statement expressed sadness at *The Comet's* story as its reporters did not confirm or clarify the allegation from the DIG "D" who made the press briefing, adding that the act was against the ethics of journalism because the report did not weigh the gravity of the allegation.

The command said that it was therefore compelled to refute the report and request *The Comet* newspaper to retract the report and caution its reporter over the "unwarranted" story.

Late Adamu and Abubakar are of the same mother who was Rimi's first wife.

he said he did not speak to anybody on that. People just speculated and wrote what they want. He never spoke to anybody. He never said so. I also asked him the same question but he said he never said so. He doesn't know where they got the report," he said.

He waved all other questions on allegations of arrest and the self-acclaimed murderer, saying, "we shall make a statement on Monday (today) and all such enquiries will be addressed," he said.

Man confesses killing Rimi's wife

A middle aged man, Jibril Tasiu Zage, has confessed being among those involved in the murder of late Hajia Sa'adatu Abubakar Rimi.

Aged 30, the self-confessed murderer who resides at Kofar Wambai quarters in Kano municipality, rode on his motorcycle to Alhaji Abubakar Rimi's residence, walked calmly to the security at the gate to confess his involvement in the crime.

A close relation of Rimi's family, Alhaji Jani Danja, who witnessed the event, said the man, dressed in blue shedder, was brought to Rimi's ADC

The people of Kano state have continued to sympathise with the former governor, Alhaji Muhammadu Abu-bakar Rimi, who recently lost both his wife, Hajia Sa'adatu Rimi and his eldest son, Alhaji Adamu Abubakar Rimi.

A cross section of people interviewed by our correspondences in Kano described the incident as an act of God and appealed to the grieving family of the former communications minister to consider it as such.

Mallam Umar Mai Hula - Alhaji Abubakar Rimi de-

By Yusha'u Adamu Ibrahim, Correspondent (Kano)

serves sympathy with, because whoever loses his wife and infact, a woman like Hajia Sa'adatu who was always at the forefront to assist her husband, should be sympathised with and barely eight days after, also lost his eldest son, Alhaji Adamu Rimi. "So you see, these double tragedy is not something that you can forget easily.

Alhaji Mai-Hula said also that, "but as a Muslim who knows about destiny either

From Musa Umar Kazaure, Regional Editor (Kano)

where he confirmed his statement to the security guard.

He said he had not been able to eat or sleep since he took part in the gruesome murder of Hajia Sa'adatu.

The man was searched and about one hundred thousand naira was found on him which he claimed was part of the money paid to him for the execution of the assignment. Alhaji Umar said the self-confessed killer was whisked away by the police for further interrogation.

He added that the self-

good or bad, one has to bear the tragedy with fortitude and by doing so, the Almighty God will reward him abundantly."

On the political aspect especially regarding the murder of late Hajia Sa'adatu Rimi, Mai-Hula said such will not discourage Rimi from going ahead with the struggle for the masses.

He pointed out that Alhaji Abubakar Rimi is not the kind of man that could be intimidated politically. He has been in politics for decades and therefore, "I am sure he will not quit politics at this moment."

Alhaji Inuwa Magaji Adaka - "Only God can stop Rimi from politics but not political opponents. What he has been doing for long is not for his own personal benefit." Alhaji Adaka said further that every believer is aware that one day, one must go back to his creator, the Almighty and that both the death of Hajia Sa'adatu and Adamu should therefore be viewed as an act of God.

Mallam Sharu Isah - said that, "the killers should bear in mind that they will account for all what they have done to this innocent woman before the Almighty God who will not let them go scot free."

Alhaji Sanusi Bello - Alhaji Sanusi Bello, a politician, similarly described the

tragedy as an act of God which could befall anybody. He said since the murder of Hajia Sa'adatu has generated a lot of controversy, it is now duty bound on the federal government to fish out the culprits and prosecute them accordingly.

He added that even though this was not the first time such killings have taken place but the federal government should put an end to the unfortunate incidence if it really has no hand in it.

Alhaji Bello said that many people are pointing accusing fingers at the government with regards to such killings and the only way out is for it to ensure that the culprits are tracked down and prosecuted accordingly.

Meanwhile, among the callers at Rimi's residence yesterday include the former Head of State, retired General Yakubu Gowon, Bauchi state governor, Alhaji Ahmadu Adamu Mu'azu, Nasarawa state governor, Alhaji Abdullahi Adamu, Labour and Productivity Minister, Alhaji Hassan Lawal, former Speaker of the House of Representatives, Alhaji Ghali Umar Na'Abba, Alhaji Aminu Dantata, Alhaji M D Yusuf, Majority Leader, House of Representatives, Alhaji Abdul-Ningi and Alhaji Ibrahim Babankowa.



The funeral rites of late Adamu Abubakar Rimi, eldest son of the former governor of Kano State, Alhaji Abubakar Rimi in Kano... yesterday

NEWS

Gombe: Thugs set house ablaze, kill 2-year old baby

A gang of about 40 youths suspected to be *Yankalare* have set a house ablaze in Dawaki quarters of Gombe metropolis on Thursday leaving a 2 year old baby dead and three others in critical condition.

Those receiving medical attention at the specialists'

From Muhammad Abubakar, Gombe

hospital Gombe are, Zainab, a four year old girl, her two months old brother, Abdulwahab and mother, Fatsuma.

Speaking to *Daily Trust* on the incident, a member of the household, Muhammad Abdullahi, said he was the first

to rush to the burning room where he met the remains of 2 year old Mubarak.

"I was sitting in front of my shop across the road when I noticed fire coming from my house. I rushed there and to the burning room and only met the corpse of Mubarak who was burnt beyond recognition," narrated Muhammad.

He said his shop too was later burnt by the youth and another shop of his neighbour who sells tea using petrol that was being sold nearby.

"I remembered sighting these youth around 8:30pm who carried dangerous weapons such as knives, daggers and cutlasses but did not know they were coming for us" recalled Muhammad.

Daily Trust gathered that Nasiru who happens to be Muhammad's brother was a member of a group called *Kalare* but parted ways with them and later fought with one of the group's member's injuring him in the process.

Sources told our correspondent that the *Kalares* were looking for Nasiru NGO they considered a defector and dangerous for the safety of some of their members.

"They came looking for Nasiru and thought he was in that room they decided to set the house ablaze. They burnt his brother's (Nasiru's brother) shop just out of mischief but their target was Nasiru, who is now with a different *Kalare* group," narrated one source who refused to have his name in print.

The Police Public Relations Officer in Gombe State, ASP Kingsley Omoregie, who confirmed the incident, said no arrest has been made yet and that the Police were investigating the matter.

3rd Term: We'll go by amended constitution

— Gov Sani

By Emmanuel Bello & Habeeb I. Pindiga

Governor Ahmed Sani of Zamfara state said though the talk about third term was mere rumour, he would not hesitate to respect any amendments to the 1999 constitution including the one that may give President Olusegun Obasanjo and state governors a chance to take another shot in office after 2007.

"If the National Assembly controlled by the PDP changes the constitution, as law abiding citizens we'll follow the amendment and operate within the ambit of the constitution," Sani told newsmen in Abuja on Thursday.

Asked where he stands on tenure extension debate, the governor said "I still don't see any reason why people should be talking about third term. This is a democracy. We are only wasting our time discussing the constitution, as law abiding citizens we'll follow the amendment and operate within the ambit of the constitution." Sani told newsmen in Abuja on Thursday.

Asked where he stands on tenure extension debate, the governor said "I still don't see any reason why people should be talking about third term. This is a democracy. We are only wasting our time discussing the constitution, as law abiding citizens we'll follow the amendment and operate within the ambit of the constitution." Sani told newsmen in Abuja on Thursday.

Asked where he stands on tenure extension debate, the governor said "I still don't see any reason why people should be talking about third term. This is a democracy. We are only wasting our time discussing the constitution, as law abiding citizens we'll follow the amendment and operate within the ambit of the constitution." Sani told newsmen in Abuja on Thursday.

Asked where he stands on tenure extension debate, the governor said "I still don't see any reason why people should be talking about third term. This is a democracy. We are only wasting our time discussing the constitution, as law abiding citizens we'll follow the amendment and operate within the ambit of the constitution." Sani told newsmen in Abuja on Thursday.

Asked where he stands on tenure extension debate, the governor said "I still don't see any reason why people should be talking about third term. This is a democracy. We are only wasting our time discussing the constitution, as law abiding citizens we'll follow the amendment and operate within the ambit of the constitution." Sani told newsmen in Abuja on Thursday.

Asked where he stands on tenure extension debate, the governor said "I still don't see any reason why people should be talking about third term. This is a democracy. We are only wasting our time discussing the constitution, as law abiding citizens we'll follow the amendment and operate within the ambit of the constitution." Sani told newsmen in Abuja on Thursday.

can beat drums and sing. So when we wanted to inaugurate our ANPP youth committee and because we are very sensitive to the feelings of our people and we know that there are tendencies for extremists among our society or political opponents...we know that its right of us to use the *sallah* celebration to do anything, whether political or personal or whatever. So we took that opportunity of *sallah* celebration to inaugurate our youth and in that case we invited the musicians to sing. So everything we did was under the tenets of *Sharia*," he said.

On the allegation that Zamfara state government gave out 63 cars to the musicians that performed at Karima's occasion, Sani said politicians don't normally honour their promises, suggesting that the musicians in question were merely promised to be given cars but were not actually given same.

...Governors converge in Bauchi today

By Sufuyan Ojeifo
(Special Correspondent)

In a bid to push through extension of tenure, which is one of the proposed amendments to the 1999 Constitution, the Presidency has enlisted the support of loyal State Governors, eleven of whom are meeting in Bauchi today to announce a formal position endorsing constitution amendment.

The meeting, *Daily Trust* gathered authoritatively yesterday in Abuja, is being hosted by Governor Adamu Mu'azu of Bauchi State and will be attended by Governors Gbenga Daniel (Ogun), Olusegun Agagu (Ondo), Chimaroke Nnamani (Enugu), Peter Odili (Rivers), Goodluck Jonathan (Bayelsa) and Donald Duke (Cross River).

Others who have been confirmed to attend the meeting are Governors Ibrahim Idris (Kogi), Abdullahi Adamu (Nasarawa), Ahmed Makarfi (Kaduna) and Adamu Aliero (Kebbi).

It was learned that the Bauchi meeting would take a position supporting the constitution amendment and reach an understanding that tenure extension, from which

they also stand to benefit, would be a major item to be effected in the new constitution.

The National Assembly Joint Constitution Review Committee headed by Deputy Senate President has listed tenure extension as one of the 103 items for amendment. One of its sub-committees had recommended, among others, three terms of twelve years, of which President Olusegun Obasanjo and the affected State Governors are positioning themselves to take advantage.

The State Governors are expected to get their State houses of Assembly to pass the proposed amendments. It will require, as provided for in the constitution, two-third of the State Houses of Assembly in concert with the National Assembly to pass the proposed amendments.

Daily Trust gathered yesterday that the Bauchi meeting is also intended to pre-empt the meeting of Northern Governors' Forum scheduled to hold Friday,

THE ATIKU WEDDINGS



Abdullahi Babalele and his bride, former Miss. Aisha Atiku Abubakar during their wedding reception in Yola ...weekend.



Adamu Atiku Abubakar and his bride, former Miss. Safiya Dahiru Waziri, during their wedding reception in Yola ...weekend.

Oyo crisis:

Soyinka leads mass rally today

From Olumide Bajulaiye, Lagos

Opposition to the new administration in Oyo state heightened at the weekend with the arrival in Ibadan of human rights activists and pro-democracy forces. The

task is to hold a mass rally in the city today to protest the impeachment of the former governor, Rasheed Ladoja.

Tagged operation "flush out the new governor. Otunba Adebayo Alao-Akala and his political godfather, Alhaji Lamidi Adedibu," the rally is coordinated by civil society advocates.

Investigations by our correspondent in Ibadan revealed that nobel laureate, Professor Wole Soyinka, is expected to lead other top activists in the series of mass actions planned for the state to render it ungovernable.

Other activists scheduled for the mass protest include the NLC President, Comrade Adams Oshiomhole, Dr. Beko Rasome-Kuti, Mr. Moshood Erubami and others.

A pressure group known as the "Coalition for Democracy and Rule of Law" (CODER), has already been formed to mobilise people against the "illegal government".

CODER, it was gathered, would sustain the current pressure on the Alao-Akala-led government to surrender and give the mandate back to the constitutionally elected governor of the state, Rasheed Ladoja as the group vowed to ensure that the stolen mandate is returned to Ladoja.

A statement signed by Mr. Wale Okunniyi, Head of Information and Strategy of the group, said the group would be in existence until due process is restored to the state. "The

coalition which is the response of democratic forces and civil society to the on-going rape of democracy and constitutionalism in Oyo state, will from now, coordinate protests actions against the shameless and brazen conspiracy of Adedibu/Alao-Akala gangsters against the people's mandate and will in the state.

The coalition resolved to formally adopt "a plan for a sustained action", including rallies, road march, leafleting, strikes, among other actions to last for a month.

"This group will be in existence until due process is observed in the resolution of the political crisis in Oyo State," he stated. Our correspondent gathered that Erubami has been chosen to lead the group.

Meanwhile, security has been beefed up in the city of Ibadan as armed mobile policemen and soldiers were seen at strategic locations in the state including the state secretariat where stern looking anti-riot policemen are stationed to forstall any breakdown of law and order.

Our correspondent gathered that the state police command has kicked against the planned rally on the grounds that they have not been given permission to do so. Efforts to get the command's response proved abortive.

But ahead of the mass rally by CODER, labour leaders and pro-democracy activists in Oyo state have gone underground as security operatives have been hunting for them.

NEWS

CAN opposes
third term

Governor Donald Duke of Cross Rivers State (right) discussing with Chief Segun Runsewe of the National Orientation Agency (centre) and Mr. Peter Igbo during the meeting with President Obasanjo on tourism in Nigeria, held at the State House, Abuja ...recently.
Pix: Joe Oroye.

Constitution Amendment:**Public hearings
should be suspended**

As the nation awaits the commencement of public hearings over the amendment of the 1999 constitution slated for January, a former member of the National Assembly Joint Committee on the Review of the Constitution, Senator Muktar Aruwa, has urged the Senate to shelve the exercise.

He said the whole affair was linked to the tenure extension plan of the government.

He described the Deputy Senate President as an "embodiment of third term."

He (Mantu) is an embodiment of third term. And to me, he has made it very very clear judging from his utterances and discussions with colleagues, the zeal and the speed with which he wanted us to review the constitution with particular emphasis to include the third term clause," he said.

He said that the planned public hearings should be suspended. "My view is that the Senate should suspend any public hearings or amendment till after the 2007. Those who want to amend the constitution should go back and renew their mandate and when they reconvene, they will have ample chance to look at the constitution."

The Deputy Senate President and chairman of the committee on the constitution review, were last week in a closed door meeting with the Senate leadership quizzed on the third term issue.

Mantu, according to sources, explained to his colleagues that the third term clause came from the opinion poll available to his committee and that the issue will be adequately debated by Nigerians at public hearings.

The public hearings earlier slated to commence on the 8th of January was postponed on the grounds of paucity of funds and the holiday season. Mantu, who heads the committee, was himself busy with the hajj operations which ran into trouble water during its

By Emmanuel Bello,
Political Editor

—Aruwa

execution.

Impeachable sources say the Deputy Senate President, just back from the hajj, is set to devote his energy to the constitution amendment which the presidency favours to be completed before June, 2006.

The National Assembly returned from its recess recently and is gearing up for the challenge with the Senate President urging his colleagues to take a determined stand on the issue.

On the Senate President's current stance over the third term issue, Senator Aruwa said that it is a welcome devel-

opment and that Senator Ken Nnamani has risen to the occasion.

"For Senator Ken Nnamani as the chairman of the National Assembly, well, initially he was a bit cool and calm about issues, not only third term but many other issues. But it is like every other profession, when you're new, you learn the ropes. When you get to understand the business proper, you'll now apply your knowledge of the job and your God-given intelligence to guide you. I expect the Senate President to be Senate President for the short time remaining for us."

**Atiku Weddings: IBB tasks
politicians on moral virtues**

Former military president, General Ibrahim Babangida (rtd), has called on politicians not to restrict the love and affection they have for one another to social gatherings only, but to extend that to the political arena so as to pave way for national unity and cohesion.

Babangida who spoke to journalists in Yola at the weekend after attending the wedding *fatiha* and Qur'anic graduation ceremony of two of the children of Vice President Atiku Abubakar, said that if what usually transpires among politicians at social gatherings such as weddings could be extended to the political circle, it then means that the country would automatically prosper in the nearest future.

According to him, "I am glad that this event has happened. It is good for national unity because the presence of people here cuts across the broad spectrum of this nation. It is really gladdening to see things like this happening"

Adamu Atiku Abubakar married Safina Dahiru Waziri while Aisha Atiku Abubakar wedded Abdullahi Baba Lele. The occasion attracted dignitaries from all walks of life to the palace of the *Lamido* of

From Hamza Idris
(Correspondent Yola)

Adamawa, Alhaji Aliyu Mustapha. The wedding *fatiha* which was conducted by the Imam of the Modibbo Adama mosque, Khadi Ahmadu Bobbo, was perfected after the payment of N250, 000 each as dowry for the two brides.

The Yola international airport, from where most of the guests found their way to the Lamido Palace, for the first time in history, witnessed the landing of no fewer than seventeen chartered aircrafts that brought most of the important dignitaries including former Head of State and ANPP presidential hopeful, retired General Muhammadu Buhari as well as many distinguished senators, speaker of the House of Representatives and honourable members of the House.

The governors of Abia, Bauchi, Benue, Gombe, Kano, Katsina, Kogi, Niger and Lagos states as well as the deputy governors of Taraba, Kaduna and Borno states were all in attendance.

The Head of Service of the federation, ministers, and members of the diplomatic corps also attended.

The Christian Association of Nigeria (CAN), Plateau state chapter, has condemned the alleged bid of political office holders to extend their tenure in office, saying such moves are unconstitutional and would further erode the essence of quality leadership in the country.

The association, rising from a 4-day retreat in Barkin Ladi near Jos, said the body had to withdraw from its normal activities and reflect on certain key issues affecting the polity in order to take a stand, saying it is the collective responsibility of the church to do so.

Chairman of the Plateau state chapter of CAN, Rev. Yakubu Pam, who read the communiqué issued at the end of the retreat, stated that CAN has agreed to go against any third term plan whether expressed openly or being worked out covertly by political office holders in the country.

He explained that it is the belief of the body that things

From Andrew Agbese, in Jos

should be done constitutionally and that political office holders should strive towards policies that are for the improvement of the people while de-emphasising issues that would heat up the polity unnecessarily.

The body made up of about nine different councils, commended the resolve of President Olusegun Obasanjo to fight corruption but noted that so far, the fight has been one sided and selective, which according to rev. Pam, does not speak well of the whole exercise.

He explained that so far, the administration seems to be targeting only a particular group while leaving out others in the anti-graft war even though it is glaring that those who are being ignored may not be totally innocent.

The Plateau state chapter of CAN also appealed to the federal government to defreeze the accounts of the Plateau state government

recently frozen by the court at the instance of the EFCC, noting that it is the state governor and some officials that were being investigated and not the government and people of Plateau state.

The association observed that the action will visit unnecessary hardship on the people of the state while paralysing a lot of activities of the state government if not reversed. "The reversal of this decision, we strongly believe, will go a long way to assuage frayed nerves," said the chairman.

The association, while noting that there has been a rise in ritual killings in the state, used the opportunity to call on politicians, especially the Christians among them, to desist from acts that would impugn on the body of Christ and conduct themselves with the fear of God.

It also urged the national body of CAN to come out with a final decision on the impending census exercise.

**CENTRAL BANK OF NIGERIA****TENDER NOTICE
NIGERIAN TREASURY BILLS**

Notice is hereby given by the Central Bank of Nigeria that 1 (one) year Federal Government of Nigeria Treasury Bills amounting to N25,000,000,000 will be issued by an auction-based system on Friday, 03/03/2006.

Interested Authorized Dealers (Banks, Discount Houses and Brokers) are invited to submit tenders to reach the Issues Office, Central Bank of Nigeria, Lagos, not later than 1.30pm on Wednesday, 01/03/2006.

Each tender must be in multiple of N1, 000 subject to a minimum of N10, 000 per tender. Authorized Dealers are allowed to submit multiple bids and quote multiple rates. A tender may be for own account of Authorized Dealers or made on behalf of interested members of the public, who are advised to apply through any of the authorized dealers.

Tenders for the Bills should be submitted on the prescribed printed forms in duplicate and in sealed envelopes clearly marked "TENDER FOR BILLS". The result of the tender will be announced before the close of business on Thursday, 02/03/2006. The Bank reserves the right to reject any tender in part or in full.

Allotment letters will be issued for successful bid on Friday 03/03/2006. Payment in full for the amount of the accepted tenders must be made to the Central Bank of Nigeria not later than 1.30pm on the issue date 03/03/2006. This will normally be effected by direct debit to the accounts of the affected Authorized Dealers which should ensure that their accounts with the Bank are adequately funded for this purpose.

ISSUES OFFICE
CENTRAL BANK OF NIGERIA
TINUBUS SQUARE
LAGOS.

CRIME & PUNISHMENT



Some of the vehicles recovered by the FCT police command from suspects of the Wuse II branch of Standard Chartered Bank robbery...recently. Pix: Shehu Abubakar

Three jailed for vandalising NNPC pipeline

An Abuja chief Magistrate has sentenced three men to four years imprisonment with an option of N20,000 each for allegedly stealing petroleum products from vandalised pipeline at Abaji area council of the Federal Capital Territory.

The convicts, according to Chief Magistrate Usman Ahmad, were found guilty under sections 97 and 98 subsection 7 (A) and (B) of the miscellaneous offences act, cap 410 laws of the federation of Nigeria and section 287 of the penal code law.

Ahmad, while delivering sentence in line with section 157 subsection one of the criminal procedure code (C.P.C), sentenced the accused to two years imprisonment for alleged illegal tampering with petroleum pipelines and for additional two years for offences of conspiracy and theft.

According to the First Information Report (FIR), preferred against the three accused persons, one Modupe Ogunsowo, Sola Fatunwa and Adegboyega Bamgbelu, all of Abaji area council, Abuja, they were alleged to have used several 50 litre jerricans to fill the stolen petroleum product scooped from the vandalised pipeline.

The accused who were not represented by any counsel, pleaded guilty to the three count charges.

The prosecuting police Officer, Assistant Superintendent of Police (ASP) Joseph Onu, prayed the court in view of the accused plea to try them summarily under section 157 subsection one of the C.P.C.

By Abdulwahab Deji Ajikobi

When contacted, one of the three accused persons, Sola Fatunwase, a 30-year old, told *Daily Trust* that he is a driver of a commercial bus in Abaji area council and he was hired by the vandals under a pretext that he would help them carry 50 litre jerricans containing water to their house.

On getting to a place where the said jerricans were stationed, Fatunwase, said he discovered that the jerricans contained petroleum products and not water.

He revealed that in the process of refusing to carry it as they violated the earlier agreement, he was arrested together with his conductor and a friend by the security agents while the main vandals ran away.

Stating reasons why they pleaded guilty to the charges, Fatunwase told our reporter that they would have not pleaded guilty but there was no way they could prove innocence in respect of the case since they were arrested at the scene of the crime.



Sunday Ehindero, IGP

The Onitsha Chief Magistrate, Mrs Mabel Mbakwe, who remanded the former governor, Dr. C.C Mbadinuju in Onitsha prison since 5th January 2006, on a three-count charge of conspiracy and murder of the late Bar. Barnabas Igwe and wife, Amaka Igwe, has adjourned the hearing of the case to 3rd February, 2006, because of the condition of health of Dr. CC Mbadinuju.

The Deputy Commissioner for police (that is the prosecution counsel) and the lead prosecutor, Mr. Columbus Otaru and others who charged Mbadinuju of, unilaterally killing the Igwes, expressed surprise at the absence of the accused (Mbadinuju) in the court.

This prompted the Chief Magistrate, Mrs. Mabel

Man jailed for blackmail

From Mohammed Shosanya, Lagos

A young man, Daniel Eniego, has been arraigned before an Igbosere Chief Magistrate Court in Lagos for allegedly conspiring to blackmail a man to pay him and others the sum of (\$2672) from one Mr. Chinwoke Mbadinuju.

According to the charge, the accused carried out the action on the pretext that the victim was being mentioned as one of those that abducted and murdered one Honourable Kenneth Emeakanyi and that he would remove his name from the list of the alleged person.

The prosecution, said Honourable Kenneth Emeakanyi, was neither abducted nor murdered as claimed by the accused, who allegedly committed an offence which ran contrary to section 419 of the criminal code.

The accused pleaded not guilty to the charges and was released on bail.

Mbadinuju ill, absent in court

From Beatrice Onuchukwu, Correspondent, Awka

Mbakwe, to seek explanation from the prison official on why the accused failed to appear in court.

Replying, the prison official, Mr. Emeka Paul Nani, responded immediately by saying that the accused took seriously ill this morning and cannot appear in the court.

However, counsel to Mbadinuju, Barr. Emeka Agbapuonwu, leading others, urged that the accused person is sick, since the prison doctor and Deputy Comptroller of prisons in Onitsha were aware of the accused condition, praying that the court should proceed without the presence of the accused person (Dr. CC. Mbadinuju).

But he later appealed that the matter should be stood down to enable him visit the accused in prison and find out if he could manage to appear for proceedings since the Chief magistrate has refused to proceed except the accused person is produced.

On his return, he reported to the court that Dr. Mbadinuju's condition would not allow him appear in court.

The defence, Bar Emeka Agbapuonwu, said that "I was there and even the deputy comptroller of prison confirmed that my client was not well enough to appear in court.

But the Chief Magistrate said that the accused should be brought to court and noted that there have been cases where the court made order in prison later such person escaped from prison custody.

Mabel Mbakwe stood down the case for 30 minutes so that Mbadinuju should be produced in court and ordered that all the witnesses should sign necessary document, in the court.

However, after about a couple of hours when it was clear that Mbadinuju will not

appear in court, both the counsel and prosecutor met the magistrate in his chambers and later he resumed.

A counsel who was also holding brief for the Nigeria Bar Association, Onitsha branch, Barr. Fustus Anchy, made appearance and said that since Mbadinuju is sick and cannot appear in court, he requested that the court should give Mbadinuju about six months to recover before appearing in the court as they were seeking a short notice of adjournment which caused laughter in the court.

The court therefore, based on his submissions and the submissions of the lead prosecuting counsel, Mr. Otaru, adjourned the case to February 3rd 2006 with an order to the prison authority in Anambra State to ensure that the accused must be produced in court.

duced in court.

The case attracted many interested parties and individuals including different branches of the Nigerian Bar Association from across the country who sent some lawyers to hold brief for them during the proceedings.

They include the Onitsha Branch of the NBA which sent 22 lawyers led by Sir Ejike Ezenwa, with S.I. Anyaso, O.O. Umeh, O.A. Ani and S.T. Ikpeoma as other members of the team.

From Awka branch, another team led by Barr. A.N. Chidebe Nonyelu who also stood for FIDA, Anambra State.

Prince Jerry Okwuka, stood for the family of the late Barnabas Igwe while Chuka Obele Chuka held brief for the orphan and children of the Igwes.

www.SGHGroup.com



نحن نمون الله نرعاكم

SAUDI GERMAN 300 Bed

Tertiary Care Hospital in Madinat

Al Rasoul is



Get your treatment with Barakt Al Rasoul.

For Reservation call Samir 00966505658812

Email: coo.med@SGHGroup.net

REFLECTIONS

By ISSA AREMU

Ellen Johnson-Sirleaf: Gender or deserved credit?

A visitor from outer space reading the global print media coverage of the inauguration of the Liberian president-elect, Ellen Johnson-Sirleaf would have rightly been misled to think that it was another time for some power shift (that accursed Nigerian dubious elitist formula to shortcut the mandate of the masses!) of which a grandmother in Monrovia was a beneficiary.

"For Liberia, the inauguration of another democratic republic last Monday assumes even special importance beyond the romanticising (or is it lionising?) female presidency. It marked the triumph of peaceful democratic approach over brutal and dictatorial approaches to power associated with despicable tyrants like Sergeant Samuel Doe and fugitive Charles Taylor."

Read the misleading and patronising headlines: "First female President in Africa," "The Iron Lady takes charge in Liberia;" "Age of Women." And certainly, Mrs Johnson-Sirleaf is a woman and a proud mother of four children, including grandchildren. It is saying the obvious to note that she is truly the first female democratically-elected president in Africa. But the obsession with gender dimension of Johnson-Sirleaf's Presidency further points to our readiness to undervalue the participation of women in governance and belittle their achievements made in spite of their gender. In a continent in which it is easier to transfer power and wealth to a child (witness Zogbe and the Democratic Republic of Congo) than to a woman, a female child, her presidency understandably might capture the imagination. But even at that narrow perspective, the point cannot be over-emphasised that Ellen Johnson-Sirleaf's democratic victory was a product of her direct political engagement of trial and error spanning decades, political contestation and cooperation, imprisonment and exile, national commitment and international exposure rather than her maternal credentials. Hers is the fallout of earned and deserved victory rather than an ascribed gender. Thus, other women and indeed men who are eager to follow her footsteps must realise that there is a long walk to victory!

For Liberia, the inauguration of another democratic

republic even special importance beyond the romanticising (or is it lionising?) female presidency. It marked the triumph of peaceful democratic approach over brutal and dictatorial approaches to power associated with despicable tyrants like Sergeant Samuel Doe and fugitive Charles Taylor. Monday's event was also a clarion call for the global community to rebuild an

ancient republic plunged into a senseless civil war of attrition in the past 14 years. Paradoxically, this bigger picture of democracy, war and reconstruction has been pushed to the background with the global media's obsession with the first female presidency in Africa in place of what promises to be the most challenging presidency in the world, not just Africa! Gender card seemed to have also captured the imagination of Washington, which was represented by the First Lady, Laura Bush and the Secretary of State, Condoleezza Rice at the inauguration. I am not sure what policy sense an unelected first lady made out of the inauguration of an elected president conducted under a desperate condition of a stateless political chaos.

ancient republic plunged into a senseless civil war of attrition in the past 14 years. Paradoxically, this bigger picture of democracy, war and reconstruction has been pushed to the background with the global media's obsession with the first female presidency in Africa in place of what promises to be the most challenging presidency in the world, not just Africa! Gender card seemed to have also captured the imagination of Washington, which was represented by the First Lady, Laura Bush and the Secretary of State, Condoleezza Rice at the inauguration. I am not sure what policy sense an unelected first lady made out of the inauguration of an elected president conducted under a desperate condition of a stateless political chaos.

"Many thanks to the Liberian electorate for choosing a brain in place of brawn that challenger George Weah had on offer. A war-torn country is deserving of Ellen Johnson-Sirleaf's impeccable credentials! The challenge here is that the world will hold Johnson-Sirleaf to her promises never to tolerate the spilling of any Liberian blood again; to maintain a zero-tolerance to corruption; to restore electricity and water to Monrovia in the next six months and uphold democracy and constitutionalism. She will ultimately be assessed first as a President and Chief Executive of Liberia."

candlelight party. But a bigger appreciation of Ellen's presidency beyond tokenism from Washington with the attendance of the inauguration by President George Bush himself would have revealed that what Liberia needs urgently is not American Navy ships, but the Marshall Plan in the pattern of post-war Europe and America's Roosevelt great New Deal to put an end to stagnation and underdevelopment in a country that once hosted the banner of liberal democracy and development in West Africa.

All said, the strength of the new Liberia's presidency is that apart from being a democratic outcome, it is certainly knowledge-driven. Watching President Ellen Johnson-Sirleaf delivering her warm inaugural speech, I could bet that it was a speech from the heart than the detached cold dictionary words of professionally-paid speech writers who write for you-know-them-all. Many thanks to the Liberian electorate for choosing a brain in place of brawn that challenger George Weah had on offer. A war-torn country is deserving of Ellen Johnson-Sirleaf's impeccable credentials! The challenge here is that the world will hold Johnson-Sirleaf to her promises never to tolerate the spilling of any Liberian blood again; to maintain a zero-tolerance to corruption; to restore electricity and water to Monrovia in the next six months and uphold democracy and constitutionalism. She will ultimately be assessed first as a President and Chief Executive of Liberia. Her gender identity is certainly not in doubt, but her presidential capacity is the real acid test for a continent begging for new leaders, new thinking and new delivery on promises.

Opinion

Endangered clan of their Excellencies

By Sufuyan Ojeifo

"Never Again?"
In Germany, they first came for the communists, and I didn't speak up because I wasn't a Communist. Then they came for the Jews, and I didn't speak up because I wasn't a Jew. Then they came for Trade Unionists, and I didn't speak up because I wasn't a Trade Unionist. Then they came for the Catholics, and I didn't speak up because I was a Protestant. Then they came for me, and no one was left to speak up. Attributed to Pastor Martin Niemöller, Dachau, Germany, 1941.

When General Olusegun Obasanjo was drafted into the race for the presidency in 1998 on the platform of the People's Democratic Party (PDP), the fulcrum of his campaign was the fight against corruption. In fact, that was the unique selling point of his electioneering. I bought the message, not because I was convinced that Obasanjo was the right messenger, but because the "I will fight corruption" slogan was somewhat novel in the nation's political ambience.

From the outset, he had exhibited his duplicity, like the Chichidodo bird in Ayi Kwei Armah's "The Beautiful Ones Are Not Yet Born", by professing his hatred for corruption, but feeding fat on the proceeds from there through alleged slush funds that were channelled into his campaign purse. Individuals whose megabucks could be traced to our looted commonwealth pooled resources together to fund his presidential enterprise.

To me, he did not see anything amoral in that. And to be sure, Chichidodo, to which I have compared him, hates excreta but eats the maggots that breed therein. He had rightly identified corruption as the bane of leadership at all levels, but had wrongly begun the fight against it on a suspect foundation: his presidency, the constitutionally-sanctioned authority to act was not made granite stable on the requisite moral high ground that could creditably run the engine of a serious anti-graft campaign.

And putting upchutzpah after winning the election, he had sardonically said to those who bankrolled his elections to consider their investments a waste. That act was in itself deceptive and corrupt. Having failed to dissuade them not to have the impression that they would be patronised, Obasanjo had acted in a manner that was less than sincere and transparent. He had left them in the cold. His act was applauded in some quarters. But, here is the chicanery, the illogicality of Obasanjo's logic: he is prodding Chris Uba in Anambra State to fight Governor Chris Ngige because the latter maintained that his (Uba's) investment in his election cannot be recouped in a manner that would stall infrastructural development and good governance in the state.

I remember that after emerging victorious in 1999, Obasanjo had quickly taken steps to seize the National Assembly through imposition of leadership in both the Senate and the House of Representatives. In the Senate, he

Evan(s) Enwerem as President at the expense of a more qualified and more popular candidate in the person of the late Dr Chuba Okadigbo; while in the House of Representatives, he succeeded in installing his crony, Alhaji Salisu Buhari.

Both lost the seats to proven cases of perjury. Okadigbo replaced Enwerem while Hon. Ghali Umar Na'Abba replaced Buhari. But because the duo of Okadigbo and Na'Abba would not condescend to his desire to emasculate the Legislature, they became victims of executive-sponsored plots to remove them from office. Okadigbo was overwhelmed and removed while Na'Abba was able to complete his tenure. Many leaders of the party, including the governors, did not see anything wrong in Obasanjo's expansionist move and, so, they did not speak up.

Many of the PDP governors saw it as a game in which the Presidency as a predator should be backed to savage its prey; in this instance, the National Assembly. And why not, when they too were replicating the same emasculation of the legislature in their states?

Having secured re-election in 2003, he made up his mind to deal fatal blows on those who made his nomination process a tedious and harrowing experience. I know that James Ibori of Delta and DSP Alamiyeseigha, former governor of Bayelsa State coordinated the counter-offensive that brought Obasanjo down to his knees in prostrate surrender, because they were ready to swing the votes of their delegates to former vice president, Dr Alex Ekwueme at the say-so of Vice President Atiku Abubakar, whose position they worked hard to secure through political brinkmanship. That was some kind of speaking up by the vice president and his loyalists.

But, in a vengeful move, after the election, the awesome presidential machine was deployed to mow the elements who dared to blackmail the president during the presidential primaries.

I guess that having seen the ineffectiveness of the Independent Corrupt Practices Commission (ICPC) in harassing, hounding and humiliating a select group of corrupt public officers, the Presidency had in response to international requirement got the National Assembly to hurriedly pass the Economic and Financial Crimes Commission (EFCC) law. It is this sleaze watchdog that the Presidency is now using in concert with other instruments of blackmail and intimidation to deal fatal blows on the clan of state governors in his second and, perhaps, last term of office.

Some of the governors, including Rasheed Ladoja who has just been removed from office in a controversial manner for his loyalty to the vice president (which I think is his real offence), have become victims of their political indiscretion. Steps are being taken very rapidly ahead of the 2007 presidential contest to deplete the vice president's support base and, by extension, the clan of their Excellencies particularly those working for the other camp.

Alamiyeseigha was understandably removed from office

eties, even if his removal was a manifestation of much more fundamental political animosity. Although, Nigerians quite expectedly loathed the manner in which Alamiyeseigha jumped bail in the United Kingdom, that act of his seemed to weigh more in the consciousness of Nigerians than the militarised process that was set in place to effectuate his removal by the state House of Assembly. The voices of a few people who spoke up were drowned by the litany of publicised offences allegedly committed by the governor.

Alamiyeseigha's ouster has been followed up by that of Ladoja in Oyo State, who collapsed under the Abuja-sanctioned garrison politics in Oyo under the commandship of Chief Lamidi Adedibu, whose lite support is Obasanjo's presidency. 18 members, which is less than the constitutional two-thirds majority of the 32-member House of Assembly removed him. The point at issue is not the correctness or otherwise of the allegations levelled against Ladoja, but the propriety and legality of the process adopted to impeach his character, prelude to his removal. Are people speaking up? Yes, they are. I am sure the Chief Justice of Nigeria, Justice Lawal Muhammed Uwais is embarrassed by the action of the Acting Chief Judge of Oyo State, Justice Adeniran Afolabi. I want to see him reported to the National Judicial Commission for it to act on his matter judiciously. We should not allow this illegality, this brazen unconstitutionality, to triumph over the rule of law! I know that for the Presidency, there is no going back on this perfidy and this is indeed sad.

Now, people are already looking in the direction of Governor Dariye of Plateau State as the next prey. The EFCC boss, Nuhu Ribadu, was reported as declaring that the commission had evidence to nail him. Yes, they may have; but the issue is, will the commission patiently pass through the due process in handling the matter? If the Presidency and the EFCC replicate the fire-brigade approach they adopted in Bayelsa in Plateau coupled with the brigandage in Oyo, then Dariye cannot but be the dust. And I have the hunch that this is what the President's long-distance runner, who is... And I also have the hunch that Dariye goes, he will not be the last.

These removals (rendered despicable by the unconstitutionality of the procedures being adopted) may be carried out in as many states as possible to strategically deal fatal blows on as many governors as possible who are disloyal, perhaps, in a calculated bid to whip those who are not ready to play along into line and get them to support Obasanjo's emergent political agenda. This is brazen intimidation in simple and plain language. Who will now speak up for the endangered clan of their Excellencies having failed to speak up and act decisively before now against a burgeoning dictatorial presidency? They must now contend with the pernicious ill-wind that blows from the Presidency to them. *Yakari!*



UNIVERSITY OF LAGOS AKOKA YABA

INTERNAL AND EXTERNAL ADVERTISEMENT



Applications are invited from suitably qualified candidates for the following vacant positions at the University of Lagos.

A. POSTS

1. DISTANCE LEARNING INSTITUTE

- (i) Senior Lecturer
- (ii) Lecturer I
- (iii) Lecturer II
- (iv) Assistant Lecturer

2. FACULTY OF ENGINEERING

a. Department of Metallurgical and Materials Engineering

- (i) Associate Professor
- (ii) Senior Lecturer
- (iii) Lecturer I

3. FACULTY OF ENVIRONMENTAL SCIENCES

a. Department of Architecture

- (i) Associate Professor
- (ii) Senior Lecturer
- (iii) Lecturer I
- (iv) Lecturer II
- (v) Assistant Lecturer

4. FACULTY OF LAW

a. Department of Commercial & Industrial Law

- (i) Associate Professor
- (ii) Senior Lecturer
- (iii) Lecturer I
- (iv) Lecturer II

b. Department of Jurisprudence and International Law

- (i) Professor
- (ii) Associate Professor
- (iii) Lecturer II

c. Department of Private and Property Law

- (i) Associate Professor
- (ii) Senior Lecturer
- (iii) Lecturer II

5. FACULTY OF SCIENCE

a. Department of Botany and Microbiology

- (i) Associate Professor
- (ii) Senior Lecturer
- (iii) Lecturer II

b. Department of Cell Biology and Genetics

- (i) Senior Lecturer
- (ii) Lecturer I
- (iii) Lecturer II
- (iv) Assistant Lecturer

c. Department of Marine Sciences

- (i) Professor
- (ii) Associate Professor
- (iii) Assistant Lecturer

d. Department of Mathematics

- (i) Professor
- (ii) Associate Professor
- (iii) Lecturer I
- (iv) Lecturer II

e. Department of Zoology

- (i) Professor
- (ii) Associate Professor
- (iii) Senior Lecturer
- (iv) Lecturer I
- (v) Lecturer II
- (vi) Assistant Lecturer

B. QUALIFICATION

1. DISTANCE LEARNING INSTITUTE

(i) Senior Lecturer

Candidates must possess a Doctorate degree in Accounting, Business Administration or Mathematics (with specialization in Operations Research or Quantitative Business Analysis) and at least 3 years teaching experience as Lecturer I or its equivalent, with at least 5 years of post doctoral teaching and research experience in a University or comparable Institution; and recognized scholarly publications in reputable learned journals in the relevant field, plus administrative experience and demonstrable ability to provide academic leadership. A recognized relevant professional qualification/experience in Distance Education will be an advantage.

(ii) Lecturer I

Candidate should possess a Doctorate Degree in Accounting, Business Administration or Mathematics (with specialization in Operations Research or Quantitative Business Analysis) with not less than 3 years teaching experience as Lecturer II or its equivalent, with at least 4 years post doctoral teaching or research experience in a University or comparable Institution plus recognized publications in reputable learned journals in the relevant field. A recognized relevant professional qualification/experience in Distance Education will be an advantage.

(iii) Lecturer II

Candidate should possess a Doctorate Degree in Accounting, Business Administration or Mathematics (with specialization in Operations Research or Quantitative Business Analysis) with not less than 3 years teaching experience as Assistant Lecturer or its equivalent. Candidates who are currently pursuing their Ph.D. Programmes and have

at least 4 years of teaching experience in a University or comparable Institution, plus scholarly publications in reputable learned journals in the relevant field may also be considered. A recognized relevant professional qualification/experience in Distance Education will be an advantage.

(iv) Assistant Lecturer

Candidates must possess a good first degree and M.Sc in Accounting or Business Administration or Mathematics (with specialization in Operations Research or Quantitative Business Analysis) and must have registered or be registrable for Ph.D in the University of Lagos or in any recognized University.

2. FACULTY OF ENGINEERING

a. Department of Metallurgical and Materials Engineering

(i) Associate Professor

Candidate must have had at least three years teaching experience as Senior Lecturer and must possess a Ph.D in Metallurgical and Materials Engineering, Polymer Engineering, Ceramic Engineering or Engineering Physics with at least 8 years of post doctoral teaching and research experience in a University or Comparable Institution; several scholarly publications in learned journals; administrative experience and demonstrable ability to provide academic leadership.

(ii) Senior Lecturer

Candidate must have three years teaching experience as Lecturer I and must possess Ph.D in Metallurgical and Material Engineering, Polymer Engineering, Ceramic Engineering or Engineering Physics with at least 5 years of post doctoral teaching and research experience in a University or Comparable Institution; several scholarly publications in learned journals; administrative academic leadership.

(iii) Lecturer I

Candidate must have three years teaching experience as Lecturer II and must possess Ph.D in Metallurgical and Material Engineering, Polymer Engineering, Ceramic Engineering or Engineering Physics plus a minimum of 3 years post doctoral teaching and research experience in recognized University.

3. FACULTY OF ENVIRONMENTAL SCIENCES

a. Department of Architecture

(i) Associate Professor

Candidate must be a Senior Lecturer for at least three years and must possess a good first degree and Ph.D degree in Architecture or related discipline. Candidate must demonstrate a clear evidence of good scholarship through academic research publications with at least 8 years of teaching, administrative and research experience at University Level. Professional registration with Architects' Registration Council of Nigerian (ARCON) and Association of Architectural Educators in Nigeria (AARCHES) is necessary.

(ii) Senior Lecturer

Candidate must be a Lecturer I for at least three years and must possess a good first degree and Ph.D degree in Architecture or related discipline. Candidate must demonstrate a clear evidence of good scholarship through academic research publications with at least 5 years of teaching, administrative and research experience at University level. Professional registration with Architects' Registration Council of Nigerian (ARCON) and Association of Architectural Educators in Nigeria (AARCHES) is necessary.

(iii) Lecturer I

A good honors degree and Ph.D degree in Architecture or related discipline with at least three years teaching and research experience in a University as a Lecturer II or at least five years post ARCON professional practice experience. Some scholarly publications in reputable journal will be required. Areas of specialization should be in Landscape Architecture and Urban Design.

(iv) Lecturer II

Candidate must have at least three years teaching experience as Assistant Lecturer or at least five years post ARCON professional experience. Candidate must have good first professional degree in Architecture or a related discipline with at least a Ph.D in Architecture or related discipline in a reputable University.

(v) Assistant Lecturer

Candidate must have a good first professional degree in Architecture or related discipline. Candidate must however have registered or be remittable for a Ph.D in Architecture or a related discipline in a reputable University. In addition, candidates must have been registered with the ARCON.

4. FACULTY OF LAW

a. Department of Commercial and Industrial Law

(i) Associate Professor

Candidate must possess LL.M and Ph.D in Law. Must also have:

- a. At least 8 years teaching and/or research experience in a University or comparable Institution with at least three years experience as Senior Lecturer.
- b. Substantial scholarly publications in the relevant field of Law by reputable publishers or in reputable journals.
- c. Considerable administrative experience.
- d. Ability to initiate, develop and direct relevant legal research projects and supervise post graduate students.

The preferred areas of specialization are:

- Law of Taxation
- Shipping and Admiralty Law
- Law of Commercial Transactions
- Law of Intellectual Property
- Law of Insurance
- Industrial Law

Cont on page 11

IN THE FEDERAL HIGH COURT HOLDEN AT LAGOS NIGERIA

SUIT NO. FHC/L/CS/1198/2005

BETWEEN:

IN THE MATTER OF INTERCITY BANK PLC
AND
IN THE MATTER OF FIRST INTERSTATE BANK PLC
AND
IN THE MATTER OF TROPICAL COMMERCIAL BANK PLC
AND
IN THE MATTER OF PACIFIC BANK LTD
AND
IN THE MATTER OF CENTRE POINT BANK PLC
AND
IN THE MATTER OF SOCIETE BANCAIRE NIGERIA LTD
AND
IN THE MATTER OF AScheme OF ARRANGEMENT

ORDER

UPON THIS JOINT PETITION of Intercity Bank Plc, First Interstate Bank Plc, Tropical Commercial Bank Plc, Pacific Bank Ltd, Centre Point Bank Plc, Societe Bancaire Nigeria Ltd (hereinafter referred as ("the Petitioners")) dated and filed on the 22nd day of December, 2005, seeking the sanction of this Honourable court of a Scheme of Arrangement for merger (The Scheme) under Section 539 Companies and Allied Matter Act, Cap 20

LFN 2004 (CAMA) and Section 100 Investment and Securities Act No. 45 1999, Intercity Bank Plc and the holders of its fully paid up ordinary shares of 50k each, First Interstate Bank Plc and the holders of its fully paid up Ordinary Shares of 50k each, Tropical Commercial Bank Plc and the holders of its fully paid up ordinary shares of 50k each, Centre Point Bank Plc and the holders of its fully paid up ordinary shares, Societe Bancaire Nigeria Ltd and the holders of its fully paid up ordinary shares of N1.00 each respectively with Pacific Bank Ltd. and the holders of its fully paid up ordinary shares of 50k each.

AND AFTER HEARING O. OPASANYA Esq., (With him A. O. Adenipekun Esq., Miss N. Agboti, B. A. Oladipo Esq., Edwin Inegedu Esq., and Emeka Ogwo Esq.) counsel for the Petitioners move in terms of the Joint petition.

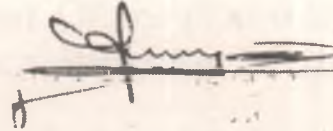
AND UPON READING the annexure, the supporting and verifying affidavit of all the Petitioners sworn to by Alhaji Lamis Shehu Dikko, the Managing Director of Intercity Bank Plc, of No. 1 Intercity Bank Street, Plot CC20 Mogadishu City Centre off Ahmadu Bello Way, Kaduna, Kaduna State on the 22nd day of December 2005 at this court's Registry and Exhibits "L. S. 1 to L. S 3" attached hereto. Also, the further affidavit to the supporting and verifying affidavit of all the Petitioners, sworn to by Alhaji Lamis Shehu Dikko, the Managing Director of Intercity Bank Plc on the 22nd day of December 2005 at this court's Registry and Exhibits "LS2 and LS3" attached thereto.

Further the affidavit proving convening of the meeting of the members of Intercity Bank Plc, sworn to by Aminu Hammayo, male, Muslim, Nigerian, of No. 1 Intercity Bank Road, Plot CC20 Mogadishu City Centre, Kaduna, Kaduna State on the 19th day of December 2005 at this court's Registry and Exhibits "ICBA 1 to ICBA4" attached thereto.

AND the affidavit proving convening of the meeting of the members of Societe Bancaire Nigeria Limited, sworn to by Alaba Williams, male, Christian, Nigerian, Lawyer of Plot 1683 Sanusi Fafunwa Street, Victoria Island, Lagos on the 19th day of

December 2005 and Exhibits "SBNL1 to SBNL4" all attached thereto.

AND the affidavit proving convening of the meeting of the members of First Interstate Bank Plc sworn to by Yinka Yahaya, male, Muslim, Nigerian of 2/4 Davies Street, off Marina Lagos on



the 19th day of December 2005 at this court's Registry and Exhibits "FIBA1 to FIBA4" all attached thereto.

Also the affidavit proving convening of the meeting of the members of Pacific Bank Limited. Sworn to by Ezinwayin Ken-Ahia, female, Christian, Nigerian, Lawyer, of Plot 1704 Adetokunbo Ademola Street, Victoria Island, Lagos on the 19th day of December, 2005 at this court's Registry. and Exhibits "PBL1 to PBL4" all attached thereto.

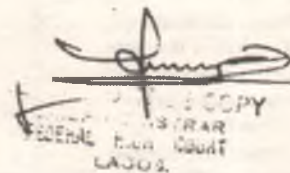
AND the affidavit proving convening of the meeting of the members of Tropical Commercial Bank Plc, sworn to by Hamisu Sanni, male, Muslim, Nigerian, of 72B Murtala Mohammed Way, Kano, Kano State on the 19th day of December, 2005 at this court's Registry and Exhibits "TCBA1 to TCBA4" all attached thereto.

Finally, the affidavit proving convening of the meeting of the members of Centre Point Bank Plc, sworn to by Mathias Mumah, male, Christian, Nigerian of Plot 497 Abogo-Largema Street, off Constitution Avenue Abuja on the 19th day of December, 2005 at this court's Registry and Exhibits "CPA1 to CPA4" all attached thereto.

AND the court having given a considered ruling this 22nd day of December, 2005 having found the scheme reasonable and fair.

IT IS HEREBY ORDERED AS FOLLOWS:

1. That the Scheme of arrangement set out in annexure 1 is sanctioned by this court.
2. That an order is made transferring and vesting in Intercity Bank Plc all the assets, undertakings and liabilities of
 1. First Interstate Bank Plc
 2. Tropical Commercial Bank Plc
 3. Pacific Bank Ltd
 4. Centre Point Bank Plc
 5. Societe Bancaire Nig. Ltd.
3. That an order for dissolution of the following is granted without being wound-up.
 1. First Interstate Bank Plc
 2. Tropical Commercial Bank Plc
 3. Pacific Bank Ltd
 4. Centre Point Bank Plc
 5. Societe Bancaire Nig. Ltd.
4. An order is granted for continuation by or against Intercity Bank Plc of all proceedings by or against the:
 1. First Interstate Bank Plc
 2. Tropical Commercial Bank Plc
 3. Pacific Bank Ltd
 4. Centre Point Bank Plc
 5. Societe Bancaire Nig. Ltd.



FEDERAL HIGH COURT
LAGOS.

5. IT IS ALSO ORDERED:

That Applicants may take any incidental consequential and supplemental steps necessary to secure the arrangement.

ISSUED AT LAGOS under the Seal of the Court and the Hand of the Presiding Judge this 22nd of December, 2005

L. N. AMIKE (MRS.)
SENIOR REGISTRAR

HONDA
The Power of Dreams

The All New 2006 **C I V I C**



The Most Powerful Car In Its Class

Special Displays at: SILVERBIRD GALLERIA ■ THE HONDA PLACE, V.I, LAGOS ■ TRANSCORP HILTON HOTEL, ABUJA ■ THE HONDA PLACE, P.H.

VICTORIA ISLAND

HEAD OFFICE:
13A, Adeyemo Alakija/Akin Adesola Street, V.I. Lagos
01-8525040, 8520004, 8520005, 0803-3264526,
0805-7759889, 0803-7209933.

APAPA
01-8520222, 01-8524444, 0805-7761008

IJESHA
01-8520202, 01-8520776, 8520203, 0805-7761004

ABUJA
0805 4099999,
09-2348007, 2349384,
0803-4099999, 08042133869.

PORT HARCOURT
0805 4277777, 084-238317,
0803 4277777, 0803 4299999.

KADUNA
Tel/Fax: 062-237810, 211289,
08037040138.

KANO
0805-4399999, 0803-3264552,
064-640882.

HOTLINES:
SALES / LEASING -
01-8520010, 01-8520011, 01-8524444,
01-8520776, 01-8525040.

SERVICE -
01-8520202, 01-8520222, 01-8520207,
01-8520203

E-mail: sales@hondanigeria.com
service@hondanigeria.com
Website: www.hondanigeria.com

HONDA
Care

3 YEARS
WARRANTY

SALES, FINANCE, SERVICE, SPARES & BODY SHOP
HONDA

Trust International

World Report

Nigerian Muslims in UK express dismay on this year's hajj

The congregation of Nigerian Muslims living in the United Kingdom has expressed disappointments over the poor management of the airlift of intending pilgrims for this year's hajj which they have described as the trend in recent years.

The Muslims under the auspices of Nigeria Muslim Forum (NMF UK) said the trend is very unhealthy to the Muslims in particular as it denies their right to religion and to the nation as a whole as it will continue to tarnish the image of the country.

According to a press release jointly signed by Muhammad Jameel Yusha'u and

By Aliyu S. Machika,
Correspondent (Kano)

Adam Abubakar Gumel, chairman and Secretary-General respectively, the forum noted that the magnitude of the crisis this year and its implications on Nigeria's image had become a source of concern to all Nigerians.

The forum therefore called on the Nigerian government and all stakeholders involved in hajj operations to take appropriate steps and bring to an end the continuing national embarrassment arising from failure of hajj operations in Nigeria.

It suggested among other

measures, that an independent ministry for hajj affairs be established with full autonomy and responsibility for organising and supervising hajj operations as well as other relevant functions.

"There is need for a critical re-examination of hajj operation in Nigeria and we call on the government and all the stakeholders in countries like Sudan, Malaysia, Pakistan and Indonesia with the aim of proffering the best way forward," it said.

It would be recalled that the forum in the past hosted a conference of experts on hajj operations in Africa, Asia and Europe promising to contribute the outcome of this conference to the appropriate body.

The main Ivory Coast city, Abidjan, has returned to normal after four days of violent anti-UN protests.

Roadblocks have been removed, buses and taxis have returned to the streets and there are no longer hundreds of youths massed outside the main UN base.

The protests ended after appeals by close allies of President Laurent Gbagbo and a threat of sanctions by the UN Security Council.

Pro-Gbagbo groups were angry at a call by UN mediators to dissolve parliament.

The UN said those who undermine a fragile ceasefire in Ivory Coast would be called to account for their actions.

A Liberian refugee who has spent 14 years in Abidjan says that his wife was able to

Ivorians lift 'siege' on UN base

go to the market to buy food for the first time since Monday.

"The situation is quiet," said Sam Waylee. "We hope that it continues."

On Thursday night, pro-Gbagbo youth leader Charles Ble Goude called on his followers to go home and "clean the streets".

He has been among the protesters outside the French Embassy in Abidjan but said it was now time to end the protests.

Some 2,000 youths have clashed with UN peacekeepers in the city of Abidjan, burning tyres and throwing stones.

Correspondents in the

rebel-controlled north of the country says that tensions are also high in that region.

Rebels have set up road blocks around their stronghold of Bouake, amid fears that Mr Gbagbo's government intends to resume military conflict.

In New York, the UN Security Council and Secretary General Kofi Annan warned that sanctions could be imposed against individuals obstructing the peace talks, or involved in any way in the violence.

France said it was sending extra riot police to tackle the protesters who have besieged UN bases in several cities.

Bolivia swear in Morales

International leaders gathered in Bolivia's capital La Paz at yesterday's inauguration of President Evo Morales.

They joined tens of thousands of Bolivians to witness the swearing-in of the nation's first Indian president.

Mr Morales, an Aymara Indian, was honoured on Saturday in a series of spiritual ceremonies at the ruins of the ancient city of Tiwanaku.

The new president is a fierce critic of the US and sees his election as a triumph for indigenous peoples.

Leaders who attended the inauguration include Spain's Crown Prince Felipe, Luiz Inacio Lula da Silva of Brazil, Javier Solana representing the European Union and Venezuela's Hugo Chavez, who called Mr Morales "an emissary sent by God".

None were present at Saturday's indigenous ceremonies at the archaeological remains of the Tiwanaku civilisation 65km (40 miles) from La Paz.

Mr Morales, 46, a former llama herder and coca leaf farmer, first made a private offering to Pachamama, or Mother Earth, of sweets, wine and flowers, before moving to the Inca temple of Kalasasaya.

There, barefoot and dressed as a sun priest and in front of thousands of supporters, he received the baton, encrusted with gold, silver and bronze, that will symbolise his Indian leadership.

We need the strength of the people to bend the hand of the empire, he said in reference to US.

Correspondents in Bolivia says the ceremony was requested by Bolivia's indigenous community, which feels it has had a raw deal ever since the Spanish conquistadores colonised the region more than 500 years ago.

He says many have high hopes a new era is beginning.

Mr Morales told his supporters on Saturday his landslide election was evidence poor countries can challenge the rich.

Who's looking after your pension plan?

Our mission at ARM Pension Managers is to guide you towards a retirement without despair. A retirement of comfort, security and peace of mind. We are experts in pension fund management and we are passionate about helping millions of hardworking Nigerians retire with comfort, security and peace of mind. Come with us on a journey to a better tomorrow... your tomorrow.

ARM

Pension Managers

Tomorrow's looking good

Plot 698, Sanusi Fafunwa street, Victoria Island, Lagos - Nigeria. Tel: 01 271 5000 Fax: 01 271 5061 www.armpension.com e-mail: info@armpension.com
ABUJA: 129, Adetokunbo Ademola Crescent, Wuse II, Abuja Tel: 09 413 0532 Fax: 09 413 0680

UNIVERSITY OF LAGOS, NIGERIA - INTERNAL AND EXTERNAL ADVERTISEMENT (CONT'D.)

Cont from page 7

- (ii) **Senior Lecturer**
Candidate must have LL.M and Ph.D. in Law with at least five years of teaching and/or research experience in a University or comparable Institution. Candidate must also have spent at least 3 years as Lecturer I; substantial scholarly publications in reputable journals. The preferred areas of specialization are as indicated in (i) above.
- (iii) **Lecturer I**
Candidate must have been three years as Lecturer II and must possess LL.M and Ph.D in Law. Some scholarly publications in reputable journals. At least 4 years post doctoral teaching and research experience in a University or comparable Institution. The preferred areas of specialization are as indicated in (i) above.
- (iv) **Lecturer II**
Candidate must have been at least three years as Assistant Lecturer and must possess LL.M and Ph.D in Law with at least 3 years post doctoral teaching and research experience at the University or comparable Institution. Recognized publications will be an added advantage. The preferred areas of specialization are as indicated in (i) above.
- b. **Department of Jurisprudence and International Law**
- (i) **Professor**
Candidate must possess a Ph.D degree in Law and have been Associate Professor for at least three years with a post doctoral University teaching and research experience for at least ten years. Candidates must also possess administrative experience and prove ability to provide academic leadership as well as substantial scholarly publications in reputable journals. Areas of specialization: Human Rights, International Economic Law, Oil and Gas Law and Conflict of Laws.
- (ii) **Associate Professor**
Candidate must possess a Ph.D. degree and must have been Senior Lecturer for at least three years, a post-doctoral University teaching and research experience for at least eight years together with administrative experience. Candidates should also have demonstrable ability to provide academic leadership and have substantial publications in reputable journals. Areas of specialization: Human Rights, International Economic Law, Oil and Gas Law and Conflict of Laws.
- (iii) **Lecturer II**
Candidate must possess a LL.M degree from a recognized University and be registrable for Ph.D. degree. Recognized publications will be an added advantage. Areas of specialization: Human Rights, International Economic Law, Oil and Gas Law and Conflict of Laws.
- c. **Department of Private and Property Law**
- (i) **Associate Professor**
Candidate must have been a Senior Lecturer for at least three years and possess LL.M with a Doctorate degree in the field of Private and Property Law.

Candidate must demonstrate a clear evidence of good scholarship through academic research publications with at least 8 years of teaching, administrative and research experience at University level. The preferred Areas of specialization are Land Law, Equity and Trust, Secured Credit Transactions, Planning Law and Compulsory Acquisition.
- (ii) **Senior Lecturer**
Candidate must have been at least three years as Lecturer I with at least 5 years teaching experience in a University or an Institution of equivalent standing and hold LL.M as well as Ph.D degree in the field of Private and Property Law. They must also have scholarly publications in reputable journals. The preferred areas of specialization are Land Law, Equity and Trust, Secured Credit Transactions, Planning Law and Compulsory Acquisition.
- (iii) **Lecturer II**
Candidate must possess LL.M degree with at least 3 years teaching and research experience at the University or Comparable Institution. Recognized publications will be an added advantage. The preferred area of specialization are Law of Tort, Family Law, Law of succession and Administration of Estates.
5. **FACULTY OF SCIENCE**
- (a) **Department of Botany and Microbiology**
- (i) **Associate Professor**
Candidate must possess a Ph.D degree from reputable Universities with at least 8 years teaching and research experience in a University or a comparative Institution plus at least three years as Senior Lecturer; several scholarly publications in learned journals in relevant field. Administrative experience and demonstrable ability to provide academic leadership. Area of specialization:
- Food Microbiology/Medical Microbiology
- Plant Ecology/Vegetation Analysis.
- (ii) **Senior Lecturer**
Candidate must possess a doctorate degree from a University with five years post-doctoral University teaching and research experience plus at least three years as Lecturer I; several scholarly publications in learned journals. Area of specialization: - Plant Ecology/Biodiversity
- (iii) **Lecturer II**
Candidate must possess a doctorate degree with three years post doctoral University teaching and research experience plus at least 3 years as Assistant Lecturer. Recognized publications are required. Area of specialization:
- Molecular Systematics
- Pharmaceutical Microbiology
- b. **Department of Cell Biology and Genetics**
- (i) **Senior Lecturer**
Candidate must possess a doctorate degree from a recognized University with 5 years post-doctoral University and research experience and must have at least three years experience after Lecturer I; must have ability to conduct research and supervise post graduate students. Good quality publications essential. The areas of specialization are:
- Ecological genetics - Molecular genetics with emphasis on genomics
- Applied genetics - Cytogenetics and evolution
- Cell and Developmental Biology.
- (ii) **Lecturer I**
Candidate must possess a doctorate degree from a recognized University with at least four years teaching and research experience as Lecturer II. Some scholarly publications in reputable journals; the areas of specialization are same as in 4(b) (i) above.
- (iii) **Lecturer II**
Candidate must possess a doctorate degree with at least 3 years post doctoral tertiary teaching and research experience and must have at least three years as Assistant Lecturer. Recognized publications are required. The areas of specialization are same as in 4(b) (i) above.
- (iv) **Assistant Lecturer**
Candidate must have a good first degree and a Master degree with some teaching, research and relevant professional experience. Candidate must have registered for Ph.D Program in the University of Lagos or in any recognized University. The areas of specialization are same as 4(b) (i) above
- c. **Department of Marine Science**
- (i) **Professor**
Candidate must possess a Ph.D. with at least ten years teaching, and research experience in a University or a comparative Institution plus at least three years as Associate Professor. Candidate must have several scholarly publications in reputable journals and should be able to carry out and supervise research in the specialized area. Administrative experience and demonstrate ability to provide academic leadership. Area of specialization:
- Fish Biology - Aquaculture
- Benthic Ecology - Phycology
- (ii) **Associate Professor**
Candidate must possess a Ph.D with at least eight years teaching and research in a University or comparable institution plus at least three years as Senior Lecturer; several scholarly publication in learned journals in the specialised area. Administrative experience and demonstrable ability to provide academic leadership. Area of specialization:
- Fish Biology - Aquaculture
- Benthic Ecology - Ecotoxicology/ Ecophysiology
- (iii) **Assistant Lecturer**
Candidate must possess a good Bachelor degree and a Master degree with evidence of productive candidature toward Ph.D degree.
- d. **Department of Mathematics**
- (i) **Professor**
Candidate must be an Associate Professor for at least three years and must possess a Ph.D in the relevant field with ten years of post doctoral teaching and research experience in a University or Comparable Institution, several scholarly publications in learned journals. Administrative experience and demonstrable ability to provide academic leadership.
- (ii) **Associate Professor**
Candidate must be a Senior Lecturer for at least three years and must possess a Ph.D in the relevant field with eight years of post doctoral teaching and research experience in a University or comparable Institution, several publications in learned journals. Administrative experience and demonstrable ability to provide academic leadership.
- (iii) **Lecturer I**
Candidate must possess a Ph.D in the relevant field and must have been a Lecturer II for at least three years in a University system with four years post doctoral teaching and research experience. Recognized publications in reputable journals.
- (iv) **Lecturer II**
Candidate must possess a Ph.D plus at least 3 years as Assistant Lecturer in University system with three years post doctoral teaching and research experience. Recognized publications will be required
- e. **Department of Zoology**
- (i) **Professor**
Candidate must possess a doctorate degree from a recognized University with not less than 10 years post-doctoral university teaching and research experience and must have at least three years as Associate Professor. Candidates must have ability to conduct research and supervise postgraduate students. Top quality publications are essential. Area of specialization: Physiology, Entomology, Vertebrate Zoology.
- (ii) **Associate Professor**
Candidates must possess a doctorate degree from a recognized University with not less than 8 years Post-doctoral university teaching and research experience and must have at least three years as Senior Lecturer. Candidates must have ability to conduct research and supervise postgraduate students. Top Quality Publications are essential. Area of Specialization: Physiology, Entomology, Vertebrate Zoology.
- (iii) **Senior Lecturer**
Candidate must possess a doctorate degree from a recognized University with 5 years post-doctoral university teaching and research experience



FEDERAL GOVERNMENT OF NIGERIA
Ministry of Solid Minerals Development

Sustainable Management of Mineral Resources Project (SMMRP)

Credit No: 4012 - UNI
Date: 23rd January, 2006

REQUEST FOR EXPRESSION OF INTEREST

- The Government of the Federal Republic of Nigeria has received a credit (hereinafter called "loan") from the International Development Association (IDA) towards the cost of Sustainable Management of Mineral Resources Project. It is intended that part of the proceeds of this credit will be applied to eligible payments under the contract for consultancy services to develop a comprehensive assessment report of the state of dilapidation of the Ministry at the zonal offices at Jos and Kaduna. Consultants are required for the design & supervision of the rehabilitation works of these offices.
- The Sustainable Management of Mineral Resources Project (SMMRP) now requests for expression of interest from a building construction firm lead by an Architect for the assessment, design, preparation of bill of quantities/bidding documents and supervision and monitoring of the rehabilitation works in Jos, Plateau State and Kaduna, Kaduna State.
- Interested consultants must provide information indicating that they are qualified to perform the services (brochures, description of similar assignments, experience in similar conditions, availability of appropriate skills among staff, e.t.c). Consultants may associate to enhance their qualifications.
- Consultants will be selected in accordance with the procedures set out in the World Bank's Guidelines: Selection and Employment of Consultants by World Bank Borrowers May 2004.
- Interested consultants may obtain further information at the address below from 9:00 to 16:00 hour's local time, Monday to Friday. Expressions of interest must be delivered in hard copy to the address below on or before 6th February, 2006 by 10.00 am with inscription on the envelopes – "SUBJECT: EXPRESSION OF INTEREST FOR THE ASSESSMENT, SUPERVISION & MONITORING OF DILAPIDATED MINING DIRECTORATES AT THE ZONAL OFFICES."
- The Sustainable Management of Mineral Resources Project (SMMRP) will not accept any late submission beyond the stipulated date and time quoted above.

Project Coordinator,
Sustainable Management of Mineral Resources Project
Plot 360, Femolat Close,
off Adetokunbo Ademola Crescent
Wuse II - Abuja
Nigeria
TEL: +234- 9 - 6703831
+234 - 9 - 4132429
Fax: +234 - 9 4138743
E-MAIL: smmrp@msmd.gov.ng
uladie@msmd.gov.ng
uladie2001@yahoo.com

UNIVERSITY OF LAGOS, NIGERIA
INTERNAL AND EXTERNAL ADVERTISEMENT (CONTD.)

Cont from page 11

and must have at least three years after Lecturer I, must have ability to conduct to conduct research and supervise postgraduate students. Good quality publications are essential.
Area of Specialization: Ecology and Conservation, Ecotoxicology

- Lecturer I**
Candidates must possess a doctorate degree from a recognized University with at least four years teaching or research experience and some scholarly publications.
Area of Specialization: Parasitology, Vertebrate Zoology, Physiology.
- Lecturer II**
Candidates must possess a good honours degree and a higher degree (preferably a doctorate degree) with some teaching or research experience.
Area of Specialization: Entomology, Ecology and Conservation, Vertebrate Zoology.
- Assistant Lecturer**
Candidates must possess a good honours degree and a higher degree (preferably a doctorate degree) with some teaching or research experience.
Area of Specialization: Vertebrate Zoology, Ecology and Conservation.

C. SALARIES AND ALLOWANCES

1.	Professor	- UASS 7	(N522,924 - N 753,549)	per annum
2.	Associate Professor	- UASS 6	(N468,201 - N671,412)	per annum
3.	Senior Lecturer	- UASS 5	(N420,060 - N645,528)	per annum
4.	Lecturer I	- UASS 4	(N338,323 - N442,731)	per annum
5.	Lecturer II	- UASS 3	(N257,984 - N313,690)	per annum
6.	Assistant Lecturer	- UASS 2	(N220,093 - N 270,759)	per annum

D. CONDITIONS OF SERVICE

As contained in the approved conditions governing service of senior staff of the University.

E. METHOD OF APPLICATION

Detailed application (10) ten copies should include candidate's curriculum vitae as follows:

- Names in full
- Place and date of Birth
- Home Address
- Present Postal Address
- Nationality at Birth
- Marital Status
- Number and Ages of Children
- Secondary and Post-secondary Education (including dates and Institution)
- Academic and Professional qualifications (including Distinctions with date)
- Statements of experience including full detailed of former and present post
- Current Research
- Details of publication including:
 - Authorship, candidates should state their contributions -evidence to support the contribution should be produced where possible.
 - Names of Journals in which they are published
And
 - Date of Publications.
- Others activities outside current employment
- Names and address of three referees. Proposed date of availability for duties, if appointed. In addition to stating the names and address of the referees, applicants should request their referees to forward reference on their behalf direct to the Deputy Registrar (Academic Staff Unit), University of Lagos, Akoka, Yaba, Lagos.

F. CLOSING DATE:

Application and supporting materials should be forwarded to the Deputy Registrar (Academic Staff Unit), Second Floor, Senate House, University of Lagos, Akoka, to reach him not later than 42 (forty-two) days from the date of this publication.

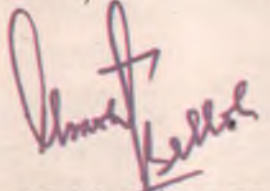
MRS. R.A. ABEGUNDE,
REGISTRAR.



Intercity Bank Plc.

Balance sheet as at 30 June

	2005 =N='000	2004 =N='000
ASSETS		
Cash at short term funds	11,531,049	9,045,545
Bills Discounted	7,051,889	6,165,652
Investment	335,829	151,465
Loans & Advances	11,281,676	8,046,956
Other Assets	2,027,193	1,468,152
Fixed Assets	951,741	823,738
Total Assets	33,179,377	25,701,508
LIABILITIES		
Deposit, Current and other Accounts	24,742,927	18,430,095
Tax Payable	63,293	69,150
Proposed Dividend	166,759	151,599
Deffered Taxation	72,950	66,450
Other Liabilities	5,374,304	4,467,917
	30,420,233	23,185,211
CAPITAL AND RESERVES		
Called-up share capital	1,667,581	1,515,983
Share Premium	13,950	13,950
Statutory Reserve	754,497	631,616
Reserve for small scale industries	230,983	185,070
Revenue Reserve	92,133	18,080
Bonus Issue Reserve	--	151,598
Shareholders' Funds	2,759,144	2,516,297
Capital & Liabilities	33,179,377	25,701,508
Confirmed credits and other obligations on behalf of customers and other corresponding Liabilities thereon.	5,381,473	6,462,358
PROFIT AND LOST ACCOUNT FOR THE YEAR ENDED 30 JUNE		
	2005 =N='000	2004 =N='000
Gross Earnings	5,050,240	3,888,077
Profit Before Taxation	459,133	554,216
Taxation	(49,527)	(65,750)
Profit after Taxation	409,606	488,466
APPROPRIATIONS		
Statutory Reserve	122,881	146,540
Reserve for small scale industrial	45,913	55,422
Proposed Dividend	166,759	151,599
Revenue Reserve	74,053	134,905
	409,606	488,466



Alhaji Falghe Bello Q.F.R

Chairman



Alhaji Lamis S. Dikko

Director

AUDITORS' REPORT**TO THE MEMBERS OF INTERCITY BANK PLC**

We have audited the Financial Statements of INTERCITY BANK PLC ("Bank") as at 30 June, 2005 and the related profit and loss account and statement of cash flow ; for the year then ended, prepared under the historical cost convention and on the basis of the accounting policies set out in the financial statements.

Respective responsibilities of directors and auditors

In accordance with the Companies and Allied Matters Act 1990 the Bank's Directors; are responsible for the preparation of financial statements.

In doing so, directors are required to:

*select suitable accounting policies and apply them on a consistent basis, making judgements and estimates that are prudent and reasonable;

*follow applicable accounting standard and

*prepared the financial statements on a going concern basis.

The directors are responsible for ensuring that proper books of account are kept and that adequate internal controls are maintained in order to safeguard the assets and prevent and detect fraud and other irregularities.

It is our responsibility to form an independent opinion, based on our audit, on the financial statements and to report our opinion to you.

Basis of Opinion

We conducted our audit in accordance with generally accepted auditing standards.

An audit process includes:-

*examination, on a test basis, of evidence related to the amounts and disclosures in the accounts;

*assessment of the significant estimates and judgements made by the directors in the preparation of the financial statements and

*considering whether the accounting policies are appropriate to the Bank's circumstances, consistently applied and adequately disclosed.

We planned and performed our audit so as to obtain all the information and explanations which we considered necessary, in order to provide us with sufficient evidence to give reasonable assurance that the financial statements are free from material misstatement, whether caused by fraud or other irregularity or error. In forming our opinion, we also evaluate the overall adequacy of the presentation of information in the financial statements, and assessed whether the Bank's books of account had been properly kept. We have obtained all the information and explanations and have received proper returns from branches not visited by us for the purpose of our audit. The assets of the bank have been properly valued and adequate provision made for diminution in value therefore.

An analysis of insider related credits as required by the Central Bank of Nigeria is set out in Note 25 in the annexed account, in accordance with CBN Circular BSD/I/2004.

Bank and Other Financial Institutions Act 1991

During the year the Bank contravened certain sections of the Bank and Other Financial Institutions Act 1991 and Central Bank of Nigeria Circulars Nos. BSD/FEI/28/VOL/I/14 of 28/10/01 and TED/AD/78/98 of 23/7/98. The contraventions have been reported and appropriate penalties assessed and paid.

The Nigerian Accounting Standard Board Act, 2003

In previous years the Bank contravened certain sections of the Nigerian Accounting Standard Act 2003. The contraventions have been reported and penalties paid.

OPINION

In our Opinion,

(i) The Bank's books of account have been properly kept.

(ii) The financial statements referred to above, which are in agreement with the books of account, give a true and fair view of the state of affairs of the Bank as at 30 June, 2005 and its profit and statement of cash flow for the year then ended, and comply with the Bank and Other Financial Institutions Act, 1991, relevant Central Bank of Nigeria circulars, relevant Statements of Accounting Standards issued by the Nigerian Accounting Standards Board and the Companies and Allied Matters Act 1990.



PKF

PANNELL KERR FORSTER

(Chartered Accountants)

Kaduna-Nigeria

Date: 17th Oct. 2005





FEDERAL CAPITAL TERRITORY ADMINISTRATION GUIDELINES ON THE SALES (SUB LEASE) OF SHOPS AT WUSE MARKET, ABUJA, FCT.

This is to inform the general public that the **Federal Executive Council (FEC)** has approved the sale of shops at **Wuse Market**, Abuja FCT, through the grant of a long lease of 50 years each, as follows:

1. **Allottees** (Tenants of FCDA) who have been occupying their shops as Traders for a minimum of two years, prior to the date of this advert, will be given a concession to purchase their shops (i.e. the shops they are occupying, and for which they are the allottees) at the reserved prices approved by the FEC.

Consequently, allottees who have been confirmed to be trading in the shops allocated to them will be given a provisional letter of offer subject to the satisfactory verification of the following documents:

- a) Letter of allocation
- b) Tenancy agreement
- c) Evidence of payment of rent up to Dec 2005
- d) Evidence of payment of service charge from Feb 2005 to Dec 2005
- e) Wuse Market Operative Identity Card issued by Abuja Markets Management Ltd

Tenants/Occupants should on receipt of their provisional letters of offer take along with them the **originals** of the above mentioned documents to the secretariat of the Implementation Committee on Sale of Wuse Market Shops at AIPDC Corporate Office, No 4 Nkwere Crescent, Off Muhammadu Buhari Way, Garki II – Abuja, for verification not later than **25th January, 2006**.

2. **Tenants/Occupants' provisional offers shall be withdrawn where:**

- i) The names on the above mentioned documents differ from one another.
- ii) The date of allocation is below the two year period.
- iii) The documents submitted are not consistent with existing records.
- iv) The documents mentioned in (1) above are not submitted for verification up to 5:00 pm on **25th January, 2006**.

3. All the remaining shops will be offered to the public for sale in an Open Auction. Traders in occupation of the shops shall also be given an opportunity to bid.

A simple Auction System by way of competitive bidding shall be employed.

5. **Bidding Process:**

The bidding process will be conducted strictly in conformity with the following procedure:

- i. The adverts for the remaining shops shall be published in the following newspapers from Wednesday 18th January 2006: This Day, Daily Trust, The Sun, Daily Champion and Abuja Inquirer. It will also be pasted at Wuse market premises and uploaded at the FCT and AIPDC websites.
- ii. Sale of bid forms will commence on the 18th of January 2006 and end by 12:00 noon on the 3rd of February 2006.
- iii. The forms shall be sold at ₦10,000.00 per copy available at Aso Savings and Loans branches.

- i. Receipt of bids shall commence on the 18th of January 2006 and close by 5:00 pm on the 3rd of February 2006.

- ii. Duly completed Bid forms must be submitted in sealed envelopes clearly marked ("**Bid for Purchase of Shop No. xxx Block No. xxx at Wuse Market**") with the name, address and telephone number of the bidder written at the back of the envelope. All Bids must be submitted at:

The Secretariat of the Implementation Committee on the Sale of Wuse Market Shops, AIPDC Corporate Office, No. 4 Nkwere Crescent, Off Muhammadu Buhari Way, Garki II – Abuja.

- iii. All bids must be submitted with a bank draft from a reputable bank, equal to 10% of bid value. All bids without the 10% deposit stand disqualified.

- iv. Bids would be opened at 10:00 a.m. on **Saturday, 4th February, 2006** at the **International Conference Centre**.

- v. Only bidders, accredited press members and designated officials will be allowed into the bidding venue.

- vi. The highest bidder shall automatically be declared the preferred bidder along with the second highest bidder as reserve bidder with the bid bond being retained and treated as non-refundable 10% deposit. All other bid bonds shall be returned (uncashed) to unsuccessful bidders.

- vii. Where the highest bid price is above the bid of the trader (in occupation), the trader to exercise the **Right to Match** by effecting the payment of the difference (between his bid deposit and the bid deposit of the preferred bidder) not later than 5.00 pm on **Friday, 10th February, 2006**. If the trader in occupation fails to exercise the right to match, the preferred bidder will be allowed to complete the transaction as envisaged.

- viii. Traders who fail to bid would be deemed to have forfeited their **Right to Match**

- ix. All successful bidders shall be given a 90 day period to pay up the remaining 90%. Failure to pay up the amount within the period shall lead to forfeiture of the 10% bid deposit (bid bond).

- x. Shops will be handed over to the successful bidders only after full payment.

- xi. Any complaints should be made in writing to the Implementation Committee on "**The Sale of Wuse Markets Shops**" located at No 4, Nkwere Crescent, off Muhammadu Buhari way, Garki: II, Abuja.

- xii. The Implementation Committee at its sole and absolute discretion, reserves the right to withdraw any and all shops hereby advertised.

Without prejudice to the Quit Notices issued to tenants who will be expiring on 31st January 2006, traders/occupants shall be allowed to remain in the shops at the expiry of the Quit Notices, subject to the payment of weekly rental and other charges, which will be communicated to them soon.

**IMPLEMENTATION COMMITTEE
ON THE SALE OF WUSE MARKET SHOPS**



FEDERAL CAPITAL TERRITORY ADMINISTRATION GUIDELINES ON THE SALES (SUB LEASE) OF SHOPS AT WUSE MARKET, ABUJA, FCT.

S/N	SECTION	BLOCK SHOP NO	SIZES NO	SHOP (SOM)	67	A	7	76	6.5	136	A	15	163	11
1	A	1	1	13.33	67	A	7	76	6.5	136	A	15	163	11
2	A	1	2	13.33	68	A	7	77	6.5	137	A	15	164	11
3	A	1	3	13.33	69	A	7	78	6.5	138	A	15	166	11
4	A	1	4	13.33	70	A	7	79	6.5	139	A	16	170	13.33
5	A	1	5	13.33	71	A	7	80	6.5	140	A	16	171	13.33
6	A	1	6	13.33	72	A	7	81	6.5	141	A	16	173	13.33
7	A	1	7	13.33	73	A	7	82	6.5	142	A	16	174	13.33
8	A	1	9	13.33	74	A	8	84	6.5	143	A	16	175	13.33
9	A	1	10	13.33	75	A	8	86	6.5	144	A	16	176	13.33
10	A	1	11	13.33	76	A	8	87	6.5	145	A	16	178	13.33
11	A	2	13	13.33	77	A	8	88	6.5	146	A	17	179	13.33
12	A	2	14	13.33	78	A	8	89	6.5	147	A	17	181	13.33
13	A	2	15	13.33	79	A	8	91	6.5	148	A	17	183	13.33
14	A	2	16	13.33	80	A	8	92	6.5	149	A	17	184	13.33
15	A	2	17	13.33	81	A	9	93	6.5	150	A	17	188	13.33
16	A	2	18	13.33	82	A	9	95	6.5	151	A	17	189	13.33
17	A	2	20	13.33	83	A	9	98	6.5	152	A	17	190	13.33
18	A	2	22	13.33	84	A	9	99	6.5	153	A	18	191	13.33
19	A	2	23	13.33	85	A	9	100	6.5	154	A	18	192	13.33
20	A	3	26	13.33	86	A	9	101	6.5	155	A	18	193	13.33
21	A	3	27	13.33	87	A	9	102	6.5	156	A	18	194	13.33
22	A	3	28	13.33	88	A	10	103	6.5	157	A	18	195	13.33
23	A	3	29	13.33	89	A	10	104	6.5	158	A	18	196	13.33
24	A	3	30	13.33	90	A	10	105	6.5	159	A	18	197	13.33
25	A	3	31	13.33	91	A	10	106	6.5	160	A	18	198	13.33
26	A	3	32	13.33	92	A	10	107	6.5	161	A	18	199	13.33
27	A	3	33	13.33	93	A	10	108	6.5	162	A	18	200	13.33
28	A	3	34	13.33	94	A	10	109	6.5	163	A	18	201	13.33
29	A	3	35	13.33	95	A	10	110	6.5	164	A	19	203	13.33
30	A	3	36	13.33	96	A	10	111	6.5	165	A	19	204	13.33
31	A	4	37	13.33	97	A	11	113	6.5	166	A	19	206	13.33
32	A	4	38	13.33	98	A	11	114	6.5	167	A	19	207	13.33
33	A	4	39	13.33	99	A	11	115	6.5	168	A	19	208	13.33
34	A	4	40	13.33	100	A	11	117	6.5	169	A	19	211	13.33
35	A	4	41	13.33	101	A	11	118	6.5	170	A	19	212	13.33
36	A	4	42	13.33	102	A	11	119	6.5	171	A	19	213	13.33
37	A	4	44	13.33	103	A	11	120	6.5	172	A	19	214	13.33
38	A	4	45	13.33	104	A	11	121	6.5	173	A	20	215	13.33
39	A	4	46	13.33	105	A	11	122	6.5	174	A	20	216	13.33
40	A	4	48	13.33	106	A	12	123	6.5	175	A	20	217	13.33
41	A	5	49	13.33	107	A	12	124	6.5	176	A	20	218	13.33
42	A	5	50	13.33	108	A	12	125	6.5	177	A	20	219	13.33
43	A	5	51	13.33	109	A	12	126	6.5	178	A	20	220	13.33
44	A	5	52	13.33	110	A	12	127	6.5	179	A	20	223	13.33
45	A	5	53	13.33	111	A	12	130	6.5	180	A	20	224	13.33
46	A	5	54	13.33	112	A	12	131	6.5	181	A	20	226	13.33
47	A	5	55	13.33	113	A	12	132	6.5	182	A	21	227	11
48	A	5	56	13.33	114	A	13	133	6.5	183	A	21	228	11
49	A	5	57	13.33	115	A	13	134	6.5	184	A	21	232	11
50	A	5	58	13.33	116	A	13	136	6.5	185	A	21	233	11
51	A	5	59	13.33	117	A	13	137	6.5	186	A	21	236	11
52	A	5	60	13.33	118	A	13	138	6.5	187	A	21	237	11
53	A	6	61	13.33	119	A	13	139	6.5	188	A	21	238	11
54	A	6	62	13.33	120	A	13	141	11	189	A	22	239	11
55	A	6	63	13.33	121	A	14	144	11	190	A	22	240	11
56	A	6	64	13.33	122	A	14	145	11	191	A	22	241	11
57	A	6	65	13.33	123	A	14	146	11	192	A	22	242	11
58	A	6	66	13.33	124	A	14	147	11	193	A	22	243	11
59	A	6	68	13.33	125	A	14	150	11	194	A	22	244	11
60	A	6	69	13.33	126	A	14	152	11	195	A	22	245	11
61	A	6	70	13.33	127	A	14	153	11	196	A	22	246	11
62	A	6	71	13.33	128	A	15	155	11	197	A	22	249	11
63	A	6	72	13.33	129	A	15	156	11	198	A	22	250	11
64	A	7	73	6.5	130	A	15	157	11	199	A	23	251	11
65	A	7	74	6.5	131	A	15	158	11	200	A	23	252	11
66	A	7	75	6.5	132	A	15	159	11	201	A	23	253	11
					133	A	15	160	11	202	A	23	254	11
					134	A	15	161	11	203	A	23	257	11
					135	A	15	162	11	204	A	23	258	11



FEDERAL CAPITAL TERRITORY ADMINISTRATION GUIDELINES ON THE SALES (SUB LEASE) OF SHOPS AT WUSE MARKET, ABUJA, FCT.

205	A	23	259	11	274	A	31	342	6.5	343	A	40	426	6.5
206	A	23	260	11	275	A	31	343	6.5	344	A	40	428	6.5
207	A	23	261	11	276	A	31	344	6.5	345	A	40	430	6.5
208	A	23	262	11	277	A	32	346	6.5	346	A	40	433	6.5
209	A	24	263	11	278	A	32	347	6.5	347	A	41	435	11
210	A	24	264	11	279	A	32	348	6.5	348	A	41	436	11
211	A	24	265	11	280	A	32	350	6.5	349	A	41	439	11
212	A	24	266	11	281	A	32	351	6.5	350	A	41	440	11
213	A	24	268	11	282	A	32	352	6.5	351	A	41	441	11
214	A	24	269	11	283	A	32	353	6.5	352	A	41	442	11
215	A	24	271	11	284	A	32	354	6.5	353	A	41	443	11
216	A	24	272	11	285	A	33	355	6.5	354	A	41	445	11
217	A	24	273	11	286	A	33	356	6.5	355	A	41	446	11
218	A	24	274	11	287	A	33	357	6.5	356	A	42	447	11
219	A	25	275	6.5	288	A	33	358	6.5	357	A	42	448	11
220	A	25	276	6.5	289	A	33	360	6.5	358	A	42	449	11
221	A	25	277	6.5	290	A	33	361	6.5	359	A	42	450	11
222	A	25	278	6.5	291	A	33	362	6.5	360	A	42	451	11
223	A	25	279	6.5	292	A	33	363	6.5	361	A	42	452	11
224	A	25	280	6.5	293	A	33	364	6.5	362	A	42	454	11
225	A	25	281	6.5	294	A	34	365	6.5	363	A	42	455	11
226	A	25	282	6.5	295	A	34	366	6.5	364	A	42	456	11
227	A	25	283	6.5	296	A	34	368	6.5	365	A	42	457	11
228	A	25	284	6.5	297	A	34	369	6.5	366	A	42	458	11
229	A	26	285	6.5	298	A	34	370	6.5	367	A	A1	2	12
230	A	26	286	6.5	299	A	34	372	6.5	368	A	A1	3	12
231	A	26	287	6.5	300	A	34	373	6.5	369	A	A1	4	12
232	A	26	288	6.5	301	A	34	374	6.5	370	A	A1	5	12
233	A	26	289	6.5	302	A	35	375	6.5	371	A	A1	6	12
234	A	26	290	6.5	303	A	35	376	6.5	372	A	A1	9	12
235	A	26	292	6.5	304	A	35	377	6.5	373	A	A1	10	12
236	A	26	293	6.5	305	A	35	378	6.5	374	A	A1	11	12
237	A	27	295	6.5	306	A	35	379	6.5	375	A	A1	12	12
238	A	27	296	6.5	307	A	35	380	6.5	376	A	A1	13(EXT1)	12
239	A	27	298	6.5	308	A	35	381	6.5	377	A	A1	14(EXT2)	12
240	A	27	299	6.5	309	A	35	383	6.5	378	A	A1	15(EXT3)	12
241	A	27	300	6.5	310	A	35	384	6.5	379	A	A1	16(EXT4)	12
242	A	27	301	6.5	311	A	36	385	6.5	380	A	A1	17(EXT5)	12
243	A	27	302	6.5	312	A	36	386	6.5	381	A	A1	18(EXT6)	12
244	A	27	303	6.5	313	A	36	387	6.5	382	A	A2	2	12
245	A	27	304	6.5	314	A	36	388	6.5	383	A	A2	3	12
246	A	28	305	6.5	315	A	36	389	6.5	384	A	A2	5	12
247	A	28	306	6.5	316	A	36	390	6.5	385	A	A2	6	12
248	A	28	307	6.5	317	A	36	391	6.5	386	A	A2	8	12
249	A	28	308	6.5	318	A	36	392	6.5	387	A	A2	9	12
250	A	28	309	6.5	319	A	36	393	6.5	388	A	A2	11	12
251	A	28	311	6.5	320	A	36	394	6.5	389	A	A2	12	12
252	A	28	312	6.5	321	A	37	395	6.5	390	A	A2	13(EXT1)	12
253	A	28	313	6.5	322	A	37	396	6.5	391	A	A2	14(EXT2)	12
254	A	28	314	6.5	323	A	37	398	6.5	392	A	A3	1	11
255	A	29	315	6.5	324	A	37	401	6.5	393	A	A3	2	11
256	A	29	316	6.5	325	A	37	402	6.5	394	A	A3	3	11
257	A	29	317	6.5	326	A	37	404	6.5	395	A	A3	4	11
258	A	29	318	6.5	327	A	38	405	6.5	396	A	A3	5	11
259	A	29	319	6.5	328	A	38	407	6.5	397	A	A3	6	11
260	A	29	320	6.5	329	A	38	408	6.5	398	A	A3	8	11
261	A	29	321	6.5	330	A	38	410	6.5	399	A	A3	9	11
262	A	29	322	6.5	331	A	38	412	6.5	400	A	A3	10	11
263	A	29	323	6.5	332	A	38	413	6.5	401	A	A3	11	11
264	A	29	324	6.5	333	A	38	414	6.5	402	A	A3	12	11
265	A	30	327	6.5	334	A	39	415	6.5	403	A	A4	1	11
266	A	30	328	6.5	335	A	39	416	6.5	404	A	A4	4	11
267	A	30	330	6.5	336	A	39	417	6.5	405	A	A4	5	11
268	A	30	331	6.5	337	A	39	418	6.5	406	A	A4	6	11
269	A	30	332	6.5	338	A	39	419	6.5	407	A	A4	7	11
270	A	30	333	6.5	339	A	39	420	6.5	408	A	A4	9	11
271	A	31	335	6.5	340	A	39	421	6.5	409	A	A4	10	11
272	A	31	337	6.5	341	A	39	424	6.5	410	A	A5	1	11
273	A	31	340	6.5	342	A	40	425	6.5	411	A	A5	4	11



FEDERAL CAPITAL TERRITORY ADMINISTRATION GUIDELINES ON THE SALES (SUB LEASE) OF SHOPS AT WUSE MARKET, ABUJA, FCT.

412	A	A5	5	11	481	A	A13	10	9	550	A	A22	6	9
413	A	A5	6	11	482	A	A14	1	9	551	A	A22	9	9
414	A	A5	7	11	483	A	A14	2	9	552	A	A22	10	9
415	A	A5	8	11	484	A	A14	3	9	553	A	A22	11	9
416	A	A5	9	11	485	A	A14	4	9	554	A	A22	12	9
417	A	A5	10	11	486	A	A14	5	9	555	B	B1	2	20.1
418	A	A5	11	11	487	A	A14	6	9	556	B	B1	3	20.1
419	A	A5	12	11	488	A	A14	7	9	557	B	B1	4	20.1
420	A	A6	1	9	489	A	A14	8	9	558	B	B1	5	20.1
421	A	A6	2	9	490	A	A14	9	9	559	B	B1	6	20.1
422	A	A6	3	9	491	A	A14	10	9	560	B	B2	1	20.1
423	A	A6	4	9	492	A	A15	1	9	561	B	B2	2	20.1
424	A*	A6	7	9	493	A	A15	5	9	562	B	B2	3	20.1
425	A	A7	1	9	494	A	A15	6	9	563	B	B2	4	20.1
426	A	A7	2	9	495	A	A15	7	9	564	B	B2	5	20.1
427	A	A7	4	9	496	A	A15	9	9	565	B	B2	7	20.1
428	A	A7	5	9	497	A	A16	1	11	566	B	B2	8	20.1
429	A	A7	6	9	498	A	A16	5	11	567	B	B3	1	13.33
430	A	A7	10	9	499	A	A16	6	11	568	B	B3	2	13.33
431	A	A8	2	11	500	A	A16	8	11	569	B	B3	3	13.33
432	A	A8	8	11	501	A	A16	10	11	570	B	B3	4	13.33
433	A	A8	9	11	502	A	A16	11	11	571	B	B3	5	13.33
434	A	A8	10	11	503	A	A16	12	11	572	B	B3	6	13.33
435	A	A8	11	11	504	A	A17	1	11	573	B	B3	7(EXT1)	13.33
436	A	A8	12	11	505	A	A17	2	11	574	B	B3	8(EXT2)	13.33
437	A	A9	1	11	506	A	A17	3	11	575	B	B3	9(EXT3)	13.33
438	A	A9	3	11	507	A	A17	4	11	576	B	B3	10(EXT4)	13.33
439	A	A9	4	11	508	A	A17	5	11	577	B	B3	11(EXT5)	9
440	A	A9	5	11	509	A	A17	6	11	578	B	B3	12(EXT6)	9
441	A	A9	6	11	510	A	A17	8	11	579	B	B3	13(EXT7)	9
442	A	A9	7	11	511	A	A17	9	11	580	B	B3	14(EXT8)	9
443	A	A9	8	11	512	A	A17	10	11	581	B	B3	15(EXT9)	9
444	A	A9	9	11	513	A	A17	11	11	582	B	B3	16(EXT10)	9
445	A	A9	10	11	514	A	A17	12	11	583	B	B4	1	13.33
446	A	A9	11	11	515	A	A18	1	9	584	B	B4	2	13.33
447	A	A10	1	11	516	A	A18	2	9	585	B	B4	3	13.33
448	A	A10	2	11	517	A	A18	3	9	586	B	B4	4	13.33
449	A	A10	3	11	518	A	A18	4	9	587	B	B4	5	13.33
450	A	A10	4	11	519	A	A18	6	9	588	B	B4	8(EXT2)	13.33
451	A	A10	5	11	520	A	A18	8	9	589	B	B4	9(EXT3)	13.33
452	A	A10	7	11	521	A	A18	9	9	590	B	B5	2	13.33
453	A	A10	9	11	522	A	A19	1	9	591	B	B5	4	13.33
454	A	A10	10	11	523	A	A19	2	9	592	B	B5	5	13.33
455	A	A10	11	11	524	A	A19	3	9	593	B	B5	7	13.33
456	A	A10	12	11	525	A	A19	4	9	594	B	B5	8	13.33
457	A	A11	2	11	526	A	A19	5	9	595	B	B5	9	13.33
458	A	A11	3	11	527	A	A19	6	9	596	B	B5	10	13.33
459	A	A11	5	11	528	A	A19	7	9	597	B	B5	11	13.33
460	A	A11	6	11	529	A	A19	8	9	598	B	B5	12	13.33
461	A	A11	8	11	530	A	A19	9	9	599	B	B5	13(EXT1)	13.33
462	A	A11	9	11	531	A	A19	10	9	600	B	B5	14(EXT2)	13.33
463	A	A11	10	11	532	A	A20	1	9	601	B	B5	15(EXT3)	13.33
464	A	A11	12	11	533	A	A20	2	9	602	B	B5	16(EXT4)	13.33
465	A	A12	1	9	534	A	A20	3	9	603	B	B6	1	13.33
466	A	A12	2	9	535	A	A20	5	9	604	B	B6	2	13.33
467	A	A12	3	9	536	A	A20	6	9	605	B	B6	3	13.33
468	A	A12	4	9	537	A	A20	7	9	606	B	B6	4	13.33
469	A	A12	5	9	538	A	A20	8	9	607	B	B6	5	13.33
470	A	A12	6	9	539	A	A20	9	9	608	B	B6	6	13.33
471	A	A12	7	9	540	A	A20	10	9	609	B	B6	7	13.33
472	A	A12	8	9	541	A	A21	1	9	610	B	B6	8	13.33
473	A	A12	9	9	542	A	A21	2	9	611	B	B6	9	13.33
474	A	A13	1	9	543	A	A21	3	9	612	B	B6	10	13.33
475	A	A13	3	9	544	A	A21	4	9	613	B	B6	11	13.33
476	A	A13	4	9	545	A	A21	5	9	614	B	B6	12	13.33
477	A	A13	5	9	546	A	A21	9	9	615	B	B6	13(EXT1)	13.33
478	A	A13	6	9	547	A	A21	10	9	616	B	B6	14(EXT2)	13.33
479	A	A13	8	9	548	A	A22	1	9	617	B	B8	1	13.33
480	A	A13	9	9	549	A	A22	4	9	618	B	B8	2	13.33

FEDERAL CAPITAL TERRITORY ADMINISTRATION

GUIDELINES ON THE SALES (SUB LEASE)

OF SHOPS AT WUSE MARKET, ABUJA, FCT.

1	B	B8	4	13.33	688	B	B18	2	11	757	B	B28	2	11
2	B	B8	5	13.33	689	B	B18	3	11	758	B	B28	3	11
3	B	B8	6	13.33	690	B	B18	4	11	759	B	B28	4	11
4	B	B8	7	13.33	691	B	B18	5	11	760	B	B28	5	11
5	B	B8	8	13.33	692	B	B18	6	11	761	B	B28	7(EXT1)	11
6	B	B8	9	13.33	693	B	B18	7(EXT1)	11	762	B	B29	1	11
7	B	B8	10	13.33	694	B	B18	8(EXT2)	11	763	B	B29	2	11
8	B	B8	12	13.33	695	B	B19	1	13.33	764	B	B29	3	11
9	B	B9	2	13.33	696	B	B19	2	13.33	765	B	B29	4	11
10	B	B9	3	13.33	697	B	B19	3	13.33	766	B	B29	5	11
11	B	B9	10	13.33	698	B	B19	5	13.33	767	B	B29	6	11
12	B	B9	11	13.33	699	B	B19	6	13.33	768	B	B29	7	11
13	B	B9	12	13.33	700	B	B20	1	13.33	769	B	B29	8	11
14	B	B10	1	13.33	701	B	B20	2	13.33	770	B	B29	9	11
15	B	B10	2	13.33	702	B	B20	3	13.33	771	B	B29	10	11
16	B	B10	3	13.33	703	B	B20	4	13.33	772	B	B29	11	11
17	B	B10	5	13.33	704	B	B20	6	13.33	773	B	B29	12	11
18	B	B10	6	13.33	705	B	B20	7	13.33	774	B	B31	1	11
19	B	B10	7	13.33	706	B	B20	8	13.33	775	B	B31	3	11
20	B	B10	9	13.33	707	B	B20	9	13.33	776	B	B31	5	11
21	B	B10	10	13.33	708	B	B20	10	13.33	777	B	B31	6	11
22	B	B10	12	13.33	709	B	B20	11	13.33	778	B	B31	7	11
23	B	B10	12	13.33	710	B	B20	13(EXT1)	13.33	779	B	B31	9	11
24	B	B13	1	13.33	711	B	B21	1	11	780	B	B31	10	11
25	B	B13	2	13.33	712	B	B21	2	11	781	B	B31	11	11
26	B	B13	4	13.33	713	B	B21	3	11	782	B	B32	1	11
27	B	B13	5	13.33	714	B	B21	4	11	783	B	B32	2	11
28	B	B13	6	13.33	715	B	B21	5	11	784	B	B32	3	11
29	B	B13	7	13.33	716	B	B21	6	11	785	B	B32	4	11
30	B	B13	8	13.33	717	B	B22	1	11	786	B	B32	5	11
31	B	B13	9	13.33	718	B	B22	2	11	787	B	B32	6	11
32	B	B13	10	13.33	719	B	B22	3	11	788	B	B32	7	11
33	B	B13	11	13.33	720	B	B22	4	11	789	B	B32	8	11
34	B	B13	12	13.33	721	B	B22	5	11	790	B	B32	9	11
35	B	B14	1	13.33	722	B	B22	6	11	791	B	B32	10	11
36	B	B14	2	13.33	723	B	B23	2	13.33	792	B	B32	11	11
37	B	B14	3	13.33	724	B	B23	3	13.33	793	B	B32	12	11
38	B	B14	4	13.33	725	B	B23	4	13.33	794	B	B33	1	11
39	B	B14	5	13.33	726	B	B23	5	13.33	795	B	B33	2	11
40	B	B14	6	13.33	727	B	B23	6	13.33	796	B	B33	3	11
41	B	B14	7	13.33	728	B	B24	1	13.33	797	B	B33	4	11
42	B	B14	8	13.33	729	B	B24	2	13.33	798	B	B33	5	11
43	B	B14	9	13.33	730	B	B24	3	13.33	799	B	B33	6	11
44	B	B14	10	13.33	731	B	B24	4	13.33	800	B	B33	7	11
45	B	B14	11	13.33	732	B	B24	5	13.33	801	B	B33	10	11
46	B	B14	12	13.33	733	B	B24	6	13.33	802	B	B33	11	11
47	B	B14	1	13.33	734	B	B25	1	11	803	B	B33	12	11
48	B	B14	2	13.33	735	B	B25	2	11	804	B	B34	2	11
49	B	B14	3	13.33	736	B	B25	3	11	805	B	B34	3	11
50	B	B14	4	13.33	737	B	B25	4	11	806	B	B34	4	11
51	B	B14	5	13.33	738	B	B25	5	11	807	B	B34	5	11
52	B	B14	6	13.33	739	B	B26	1	11	808	B	B34	6	11
53	B	B14	7	13.33	740	B	B26	2	11	809	B	B34	7	11
54	B	B14	8	13.33	741	B	B26	3	11	810	B	B34	9	11
55	B	B14	9	13.33	742	B	B26	4	11	811	B	B34	10	11
56	B	B14	10	13.33	743	B	B26	5	11	812	B	B34	11	11
57	B	B14	11	13.33	744	B	B26	6	11	813	B	B35	1	11
58	B	B16	1	11	745	B	B27	1	11	814	B	B35	2	11
59	B	B16	8	11	746	B	B27	2	11	815	B	B35	3	11
60	B	B16	6	11	747	B	B27	4	11	816	B	B35	7(EXT1)	11
61	B	B16	7(EXT1)	11	748	B	B27	5	11	817	B	B35	8(EXT2)	11
62	B	B16	8(EXT2)	11	749	B	B27	6	11	818	B	B35	9(EXT3)	11
63	B	B16	9(EXT3)	11	750	B	B27	7	11	819	B	B36	1	11
64	B	B17	1	11	751	B	B27	8	11	820	B	B36	2	11
65	B	B17	3	11	752	B	B27	9	11	821	B	B36	3	11
66	B	B17	4	11	753	B	B27	10	11	822	B	B36	4	11
67	B	B17	6	11	754	B	B27	11	11	823	B	B36	5	11
68	B	B17	7(EXT1)	11	755	B	B27	12	11	824	B	B36	6	11
69	B	B18	1	11	756	B	B28	1	11	825	B	B36	7(EXT1)	11



FEDERAL CAPITAL TERRITORY ADMINISTRATIOIN GUIDELINES ON THE SALES (SUB LEASE) OF SHOPS AT WUSE MARKET, ABUJA, FCT.

826	B	B37	1	11	895	B	B44	12	11	964	B	B54	6	13.33
827	B	B37	2	11	896	B	B44	13(EXT1)	11	965	B	B54	7	13.33
828	B	B37	3	11	897	B	B44	14(EXT2)	11	966	B	B54	8	13.33
829	B	B37	4	11	898	B	B45	1	11	967	B	B54	9	13.33
830	B	B37	5	11	899	B	B45	2	11	968	B	B54	10	13.33
831	B	B37	6	11	900	B	B45	3	11	969	B	B54	11	13.33
832	B	B37	8	11	901	B	B45	5	11	970	B	B54	12	13.33
833	B	B37	9	11	902	B	B45	6	11	971	B	B55	1	13.33
834	B	B37	10	11	903	B	B45	7(EXT1)	11	972	B	B55	2	13.33
835	B	B37	11	11	904	B	B45	8(EXT2)	11	973	B	B55	4	13.33
836	B	B38	1	11	905	B	B47	1	11	974	B	B55	5	13.33
837	B	B38	2	11	906	B	B47	2	11	975	B	B55	8	13.33
838	B	B38	3	11	907	B	B47	3	11	976	B	B55	9	13.33
839	B	B38	4	11	908	B	B47	4	11	977	B	B55	10	13.33
840	B	B38	6	11	909	B	B47	5	11	978	B	B55	12	13.33
841	B	B38	7	11	910	B	B47	6	11	979	WH	WH1	1	24.35
842	B	B38	8	11	911	B	B47	7(EXT1)	11	980	WH	WH1	2	24.35
843	B	B38	9	11	912	B	B47	8(EXT2)	11	981	WH	WH1	3	24.35
844	B	B38	11	11	913	B	B47	9(EXT3)	11	982	WH	WH1	4	24.35
845	B	B38	12	11	914	B	B49	1	11	983	WH	WH1	5	24.35
846	B	B39	6	11	915	B	B49	2	11	984	WH	WH1	6	24.35
847	B	B39	8	11	916	B	B49	3	11	985	WH	WH2	7	24.35
848	B	B39	9	11	917	B	B49	4	11	986	WH	WH2	8	24.35
849	B	B39	10	11	918	B	B49	5	11	987	WH	WH2	9	24.35
850	B	B39	11	11	919	B	B49	6	11	988	WH	WH2	10	24.35
851	B	B39	12	11	920	B	B50	2	11	989	WH	WH2	11	24.35
852	B	B40	1	11	921	B	B50	3	11	990	WH	WH3	16	24.35
853	B	B40	2	11	922	B	B50	4	11	991	WH	WH3	17	24.35
854	B	B40	3	11	923	B	B50	5	11	992	WH	WH4	20	24.35
855	B	B40	4	11	924	B	B50	6	11	993	WH	WH4	22	24.35
856	B	B40	5	11	925	B	B51	1	11	994	WH	WH4	23	24.35
857	B	B40	6	11	926	B	B51	2	11	995	WH	WH4	24	24.35
858	B	B40	7	11	927	B	B51	3	11	996	WH	WH5	25	24.35
859	B	B40	8	11	928	B	B51	5	11	997	WH	WH5	26	24.35
860	B	B40	9	11	929	B	B51	6	11	998	WH	WH5	29	24.35
861	B	B40	10	11	930	B	B51	7	11	999	WH	WH6	32	24.35
862	B	B40	11	11	931	B	B51	8	11	1000	WH	WH6	33	24.35
863	B	B40	12	11	932	B	B51	9	11	1001	WH	WH6	35	24.35
864	B	B42	1	11	933	B	B51	10	11	1002	WH	WH6	36	24.35
865	B	B42	2	11	934	B	B51	11	11	1003	WH	WH7	37	24.35
866	B	B42	3	11	935	B	B51	12	11	1004	WH	WH7	38	24.35
867	B	B42	4	11	936	B	B52	2	11	1005	WH	WH7	39	24.35
868	B	B42	5	11	937	B	B52	4	11	1006	WH	WH7	40	24.35
869	B	B42	6	11	938	B	B52	5	11	1007	WH	WH7	42	24.35
870	B	B42	7	11	939	B	B52	6	11	1008	WH	WH8	43	24.35
871	B	B42	8	11	940	B	B52	7	11	1009	WH	WH8	44	24.35
872	B	B42	9	11	941	B	B52	8	11	1010	WH	WH8	45	24.35
873	B	B42	10	11	942	B	B52	9	11	1011	WH	WH8	47	24.35
874	B	B42	12	11	943	B	B52	10	11	1012	WH	WH8	49(EXT1)	12
875	B	B43	1	11	944	B	B52	11	11	1013	WH	WH8	50(EXT2)	12
876	B	B43	2	11	945	B	B52	12	11	1014	CANTEEN	1	2	20
877	B	B43	4	11	946	B	B52	13(EXT1)	11	1015	CANTEEN	2	3	20
878	B	B43	5	11	947	B	B52	14(EXT2)	11	1016	CANTEEN	3	5	20
879	B	B43	6	11	948	B	B53	1	13.33	1017	CANTEEN	4	7	20
880	B	B43	7	11	949	B	B53	2	13.33	1018	CANTEEN	4	8	20
881	B	B43	8	11	950	B	B53	3	13.33					
882	B	B43	9	11	951	B	B53	4	13.33					
883	B	B43	10	11	952	B	B53	5	13.33					
884	B	B43	11	11	953	B	B53	6	13.33					
885	B	B43	12	11	954	B	B53	7	13.33					
886	B	B44	1	11	955	B	B53	8	13.33					
887	B	B44	2	11	956	B	B53	9	13.33					
888	B	B44	3	11	957	B	B53	10	13.33					
889	B	B44	4	11	958	B	B53	11	13.33					
890	B	B44	5	11	959	B	B53	12	13.33					
891	B	B44	6	11	960	B	B54	2	13.33					
892	B	B44	7	11	961	B	B54	3	13.33					
893	B	B44	8	11	962	B	B54	4	13.33					
894	B	B44	9	11	963	B	B54	5	13.33					

RESERVED PRICES

6.5 sqm 9,10,11,12 &	N1,306,250.00
13.3 sqm 20 sqm &	N1,749,875.00
24.35 sqm	N3,463,125.00
Canteen	N2,178,333.00

• Please note that bids below the above stated price will not be considered.

**IMPLEMENTATION COMMITTEE ON THE SALE OF
WUSE MARKET SHOPS**

Business Trust

1ST-TIER SECURITIES

THE NIGERIAN STOCK EXCHANGE

REPORT AS AT FRIDAY, JANUARY 20 2006

Company Name	No of Deals	Quotation(N)	Quantity Traded	Value of Shares
OSWITCH PLC.	4	1.57	180,000	262,925.00
OTIX PLC	2	3.19	24,520	78,218.80
Sector Totals	6		204,520	341,143.80
AGRICULTURE/AGRO-ALLIED				
VESTOCK FEEDS PLC.	1	2.21	15,000	33,150.00
IE OKOMU OIL PALM COMPANY PLC 7	18.60	24.100		448,260.00
RESKO PLC.	10	11.00	23,958	261,421.40
Sector Totals	18		63,058	742,831.40
Automobile & Tyre				
UNLOP NIGERIA PLC.	16	2.70	131,976	366,199.69
T. BRISCOE PLC.	8	6.00	106,119	636,714.00
Sector Totals	24		238,095	1,002,913.69
BANKING				
ACCESS BANK PLC	135	2.75	3,551,749	9,611,095.55
AFRIBANK NIGERIA PLC.	22	9.10	38,364,392	349,115,967.20
COOPERATIVE BANK PLC.	2	1.92	14,000	26,880.00
IB INTERNATIONAL BANK PLC.	3	2.26	101,375	229,107.50
FIRST CITY MONUMENT BANK PLC	8	5.11	110,343	563,852.73
IDEALITY BANK PLC	5	2.93	219,700	643,721.00
FIRST BANK OF NIGERIA PLC.	599	32.98	5,022,642	165,329,967.64
SB INTERNATIONAL BANK PLC.	11	1.14	199,616	227,562.24
FTBANK PLC	409	13.30	8,663,366	118,945,331.92
INVESTMENT BANKING	27	4.57	2,103,352	9,612,318.64
INTERNATIONAL MERCHANT BANK PLC.	3	0.84	20,002,385	16,802,003.40
INLAND BANK (NIGERIA) PLC.	1	1.81	16,666,660	30,166,654.60
INTERCONTINENTAL BANK PLC.	121	8.37	1,673,648	14,053,005.42
LION BANK OF NIGERIA PLC.	1	1.40	2,800	3,920.00
MANUFACTURERS BANK NIGERIA PLC.	2	1.15	170,500	196,075.00
ANAL BANK PLC.	2	2.80	111,926	313,392.80
OCEANIC BANK PLC	61	6.05	1,363,282	8,117,972.91
UNITED BANK FOR AFRICA PLC.	81	13.00	1,207,209	15,539,041.28
UNION BANK NIGERIA PLC.	70	25.48	686,467	17,491,179.16
UNIVERSAL TRUST BANK PLC	1	0.69	3,000	2,070.00
WEMA BANK PLC.	22	3.74	251,733	941,481.42
ZENITH BANK PLC	15	19.64	86,240	1,693,753.60
Sector Totals	1,601		100,576,385	759,626,354.01
BREWERIES				
GUINNESS NIGERIA PLC.	100	100.00	584,116	57,487,731.83
NIGERIAN BREWERIES PLC.	318	37.10	1,087,628	40,562,851.50
Sector Totals	418		1,671,744	98,050,583.33
BUILDING MATERIALS				
ASHAKA CEMENT PLC.	69	33.30	706,919	23,313,060.70
BENUE CEMENT COMPANY PLC.	7	6.50	233,968	1,520,792.00
CEMENT COMPANY OF NORTHERN NIG. PLC	9	7.11	42,012	298,247.10
WEST AFRICAN PORTLAND CEMENT CO. PLC.	135	16.20	1,536,072	25,283,437.64
Sector Totals	220		2,518,971	50,415,537.44
CHEMICAL & PAINTS				
AFRICAN PAINTS (NIGERIA) PLC.	1	0.42	1,000	420.00
BERGER PAINTS PLC.	11	4.02	31,183	124,505.68
CAP PLC.	6	8.86	3,681	32,613.66
NIGERIA-GERMAN CHEMICALS PLC.	4	4.30	2,349	10,100.70
Sector Totals	22		38,213	167,640.04
CONGLOMERATES				
A. G. LEVENTIS NIGERIA PLC.	2	1.21	4,918	5,915.98
C F A O NIGERIA PLC.	11	3.26	15,548	50,621.64
JOHN HOLT PLC.	1	1.54	3,600	5,544.00
P. Z. INDUSTRIES PLC.	46	16.20	243,089	3,938,041.80
U. A. C. NIGERIA PLC.	84	16.40	915,582	14,993,833.00
UNILEVER NIGERIA PLC	118	21.70	307,542	6,435,150.21
U. T. C. NIGERIA PLC.	10	0.81	117,721	95,284.50
Sector Totals	272		1,608,000	25,524,391.13
CONSTRUCTION				
CAPALBETO	1	14.00	685	9,590.00
COSTAIN (W.A.) PLC.	2	1.09	36,980	40,266.20
JULIUS BERGER NIGERIA PLC.	1	21.50	500	10,750.00
Sector Totals	4		38,165	60,606.20
FOOD/BEVERAGES & TOBACCO				
7-UP BOTTLING COMPANY PLC	18	26.50	127,459	3,332,684.50
CADBURY NIGERIA PLC.	139	65.60	247,001	16,170,657.96
FLOUR MILLS NIGERIA PLC.	70	26.00	173,563	4,555,709.39
NIGERIA BOTTLING COMPANY PLC.	59	61.00	171,643	10,362,708.09
NESTLE FOODS NIGERIA PLC.	47	189.50	71,044	13,448,201.50
NORTHERN NIGERIA FLOUR MILLS PLC.	3	14.75	10,800	159,300.00
Sector Totals	336		801,510	48,029,261.44
HEALTHCARE				
EVANS MEDICAL PLC.	11	2.40	787,120	2,026,258.00
GLAXOSMITHKLINE CONSUMER NIGERIA PLC	29	10.40	65,368	709,378.30
MORISON INDUSTRIES PLC.	1	0.88	5,000	4,400.00
NEIMETH INTERNATIONAL PHARM. PLC.	1	3.23	1,000	3,230.00
PHARMA-DEKO PLC.	1	4.55	7,974	36,281.70
Sector Totals	43		866,462	2,779,548.00
HOTEL & TOURISM				
TOURIST COMPANY OF NIGERIA PLC	1	3.80	600	2,280.00
Sector Totals	1		600	2,280.00
INDUSTRIAL/DOMESTIC PRODUCTS				
ALUMACO PLC.	3	1.24	10,221	12,660.78
B. O. C. GASES PLC	5	3.00	4,000	12,000.00
FIRST ALUMINIUM NIGERIA PLC.	7	0.76	151,000	114,760.00
VITAFIAMS NIGERIA PLC.	32	4.91	104,599	515,722.19
VONO PRODUCTS PLC.	5	1.40	46,655	68,121.41
Sector Totals	52		316,475	723,264.38
INSURANCE				
ACEN INSURANCE COMPANY PLC	1	0.52	20,000	10,400.00
AIICO INSURANCE PLC.	20	2.08	1,020,500	2,109,025.00
CORNERSTONE INSURANCE CO. PLC.	17	1.48	298,621	429,868.84
CRUSADER INSURANCE PLC.	4	1.62	25,350	41,867.00
GREAT NIGERIA INSURANCE PLC	1	1.38	7,050	9,729.00
LAW UNION AND ROCK INSURANCE PLC.	2	1.12	30,000	33,600.00
LINKAGE ASSURANCE PLC	2	1.45	10,000	14,500.00
MUTUAL BENEFITS ASSURANCE PLC	2	0.79	100,000	79,000.00
NIGER INSURANCE CO. PLC.	4	2.85	41,615	114,239.65
PRESTIGE ASSURANCE PLC.	8	2.00	365,847	719,826.24
ROYAL EXCHANGE ASSURANCE PLC.	6	2.80	158,172	440,360.98
UNIC INSURANCE PLC.	26	1.36	3,090,322	4,160,770.96
WEST AFRICAN PROV. INS. COY. PLC.	13	3.20	183,044	566,638.60
Sector Totals	106		5,350,521	8,729,826.27
MACHINERY(MARKETING)				
BLACKWOOD HODGE (NIGERIA) PLC	2	0.55	200	110.00
Sector Totals	2		200	110.00
MANAGED FUNDS				
C & I LEASING PLC I	1.26	2,300		2,898.00
Sector Totals	1		2,300	2,898.00
MARITIME				
JAPPAUL OIL & MARITIME SERVICES PLC	18	1.90	572,860	1,111,561.20
Sector Totals	18		572,860	1,111,561.20
PACKAGING				
VAN LEER CONTAINERS (NIGERIA) PLC.	1	1.79	888	1,589.52
Sector Totals	1		888	1,589.52
PETROLEUM(MARKETING)				
AFROIL PLC.	5	0.49	390,410	191,300.90
AFRICAN PETROLEUM PLC.	94	42.95	210,948	9,244,944.14
CONOIL PLC 61	89.70	27.822		2,483,150.90
ETERNA OIL & GAS PLC.	19	2.89	187,440	543,499.60
MOBIL OIL NIGERIA PLC.	30	160.00	37,075	5,918,523.00
OANDO PLC 147	95.00	266.495		25,594,299.04
TIYACO (NIGERIA) PLC.	29	117.00	47,530	5,561,332.87
TOTAL NIGERIA PLC 15	189.00	4.533		853,116.62
Sector Totals	400		1,172,253	50,390,167.07
PRINTING & PUBLISHING				
UNIVERSITY PRESS PLC.	3	1.52	16,000	24,320.00
Sector Totals	3		16,000	24,320.00
REAL ESTATE				
UACN PROPERTY DEVELOPMENT PLC.	26	8.70	149,881	1,329,271.96
Sector Totals	26		149,881	1,329,271.96
TEXTILES				
AFPRINT NIGERIA PLC.	1	0.38	750	285.00
UNITED NIGERIA TEXTILES PLC	3	2.07	100,000	207,000.00
Sector Totals	4		100,750	207,285.00

TOP 10 TRADES YESTERDAY

SYMBOL	VOLUME	VALUE	TRADES
INTERCONT	1,673,648.00	14,053,005.42	121
IBTC	2,103,352.00	9,612,318.64	27
UNIC	3,090,322.00	4,160,770.96	26
ACCESS	3,551,749.00	9,611,095.55	135
FIRSTBANK	5,022,642.00	165,329,967.64	599
GUARANTY	8,663,366.00	118,945,331.92	409
INLANDBANK	16,666,660.00	30,166,654.60	1
IMB	20,002,385.00	16,802,003.40	3
SKYEBANK	25,000,000.00	76,500,000.00	1
AFRIBANK	38,364,392.00	349,115,967.20	22

TOP 10 GAINERS

SYMBOL	LAST CLOSE	YESTERDAY'S CLOSE	CHANGE
TOTAL	187.03	189.00	+1.97
UNILEVER	20.70	21.70	+1.00
7UP	25.50	26.50	+1.00
MOBIL	159.00	160.00	+1.00
NBC	60.15	61.00	+0.85
NESTLE	189.00	189.50	+0.50
ASHAKACEM	33.00	33.30	+0.30
UBA	12.80	13.00	+0.20
CONOIL	89.50	89.70	+0.20
OCEANIC	5.86	6.05	+0.19

TOP 10 LOSERS

SYMBOL	LAST CLOSE	YESTERDAY'S CLOSE	CHANGE
AP	44.86	42.95	-1.91
OANDO	96.05	95.00	-1.05
FLOURMILL	26.79	26.00	-0.79
GUARANTY	13.99	13.30	-0.69
GLAXOSMITH	10.85	10.40	-0.45
NB	37.50	37.10	-0.40
UAC-PROP	9.00	8.70	-0.30
WAPCO	16.50	16.20	-0.30
FIRSTBANK	33.25	32.98	-0.27
CFAO	3.42	3.26	-0.16

Stockbrokers complain over proposed N500m capital base

From Bright Ewulu Deputy Business Editor, Lagos

Stockbrokers under the aegis of the Chartered Institute of Stockbrokers (CIS) have condemned the alleged planned hike of their minimum capital base by the Securities and Exchange Commission (SEC) to N500 million.

According to the brokers the above proposal coming just after about 50 of its members managed to meet the N70 million capital base minimum requirement which expired last December is unjust.

Speaking with *Business Trust*, Ijewere Consulting Ltd's Abiola Sappor stated that such a proposal is not in the overall interest of the market since brokers are actually middleman standing between investors and quoted companies in the Exchange.

He said that empowering brokerage firms with so much funds could work against the market as they could begin to dictate prices in the market.

However, Alhaji Ahmad Rabin of Investment and Securities Tribunal (IST) stated that the proposal to raise the capital base to N500 million is in order as the firms will be in a better position to carry out their responsibilities.

According to him with the completion of the banking subsector consolidation share prices will soar and investments on the hands of brokers would be much hence the need for stronger capital base.

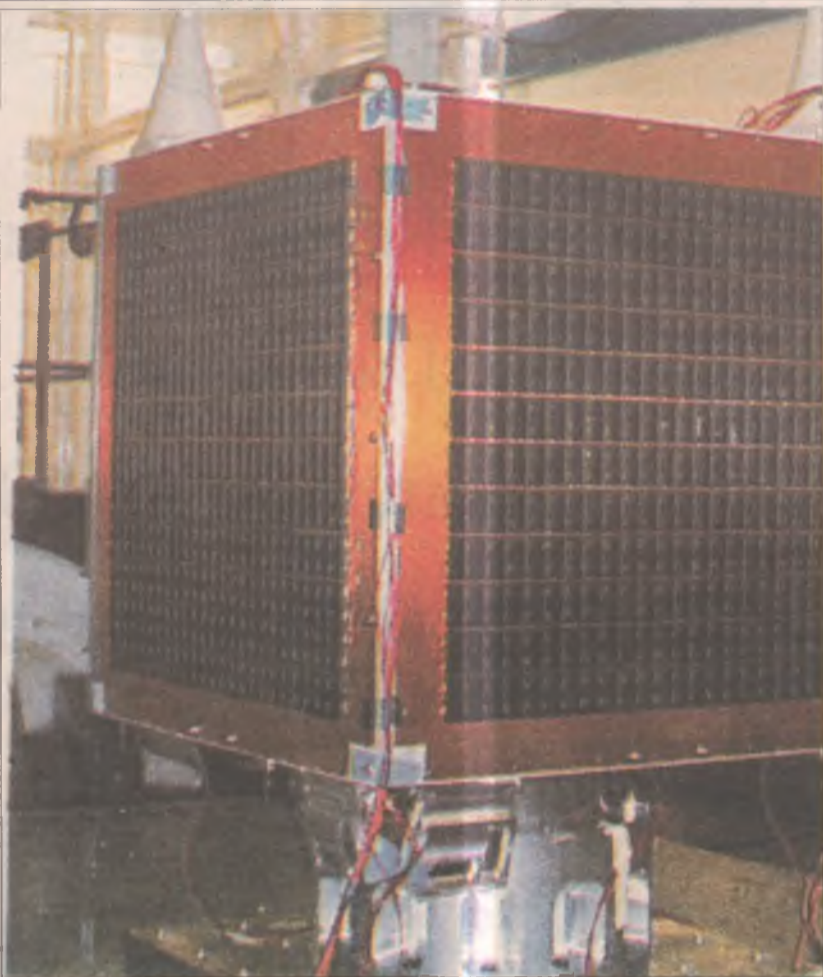
It would be recalled that the capital base of operators in the market which used to be below N10 million has over the years been raised until its current position of N70 million.

The Securities Exchange director-general, Mr. Musa Al-Faki stated that SEC extended the December, 2005 deadline for the N70 billion capital base by two months.

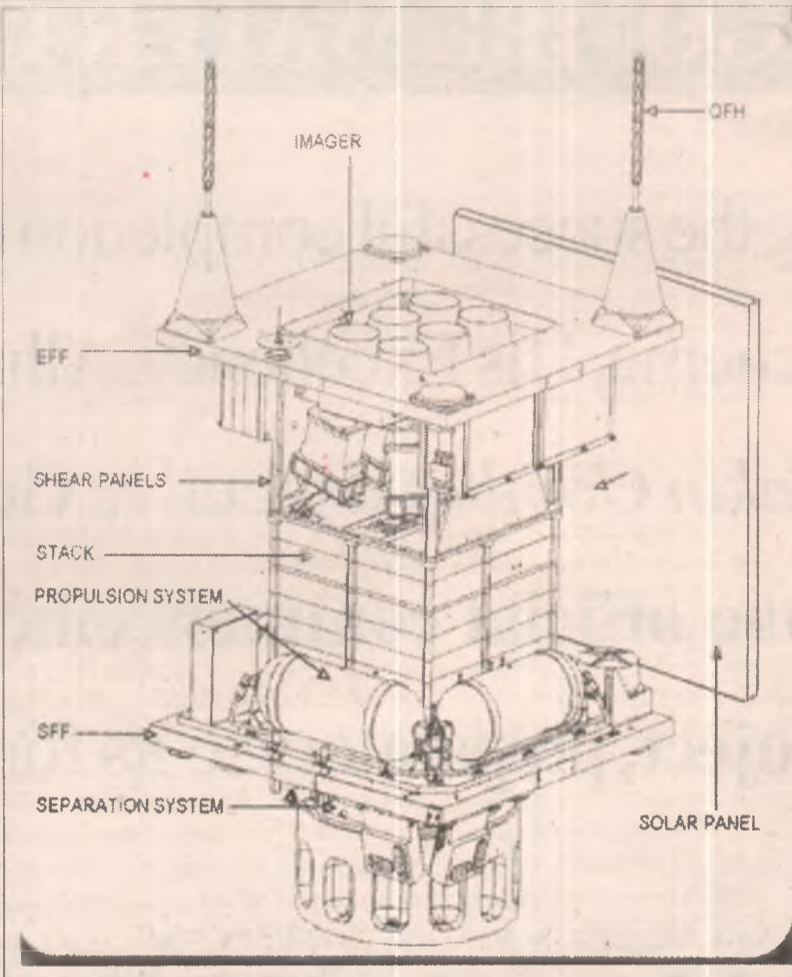
He couldn't however, confirm whether or not the capital base of brokerage firm and others will be raised to N500 million and above as is being speculated.



IT WORLD



NigeriaSat-1



Schematic diagram of NigeriaSat-1

Briefs

FG approves Ijagbone as NISLT registrar

President, Olusegun Obasanjo has approved the appointment of Dr. Ighadalo F. Ijagbone as the registrar/ chief executive officer of the Nigerian Institute of Science Laboratory Technology (NISLT). The appointment which takes effect from the date of resumption is for a (5) five year tenure.

The Nigerian Institute of Science Laboratory Technology was established by act 12 of 2003 of the National Assembly and is a parastatal of the Federal Ministry of Science and Technology.

A statement from the chief press secretary of the ministry, Mr. Clement Egbema said Dr. Ighadalo Ijagbone, a fellow of the Institute, holds a PhD and was until his appointment a lecturer in the department of Veterinary Public Health and Preventive Medicine in the University of Ibadan.

Ministries, agencies shun satellite data

Images and data generated by the multimillion dollar NigeriaSat-1 are not being patronized by the institutions concerned in the country including ministries, and other agencies.

The federal government, under its space programme, launched the satellite aimed at taking photos/images of the Nigerian environment and beam them back for use in various areas of socio-economic development, defence, security demography and environment among others, two years back. *IT World* gathered that the bulk of data and images are being kept in files while the agencies responsible have refused to utilize them.

In his presentation over the weekend, at a workshop organized for science and technology correspondents in Abuja, director general, National Space Research and Development Agency (NSRDA) Professor Robert Boroffice said even though, there is a presidential directive that all ministries and agencies concerned in the country must utilize the data, "no body complied with these directives."

He said "a lot of ministries and government agencies don't want to work with us "stressing that "we do all our best to make our self relevant."

According to him, "no sector in this country that space technology is not relevant," adding that the only beneficiaries of such data are foreign partners who have been patronizing NigeriaSat-1 data since its launch.

Professor Boroffice said the

By Hamisu Muhammad, Assistant IT Editor

objective of the satellite is to develop indigenous capabilities for research and development and applications in major areas in the country.

He stressed that the satellite aimed at using these capabilities as tools for natural resources management and infrastructural development is an important national resource.

Boroffice said public perception of space, is that space enterprise is a luxury affordable only by developed countries.

Nigerian problem are mundane and earth bound.

He emphasized need for enlightments about space technology in the country.

On the issue of frequent plane crashes in the country, Boroffice said the agency owes no apology to any one in that, saying that the space agency has no satellite to stop such incidence.

He said there is a specialised satellite designed for search and rescue which according to him own only by few countries in the world that are capable of monitoring such incidences.

'No raised cancer risk from mobile phones'

Using a mobile phone does not increase the risk of developing the most common type of brain tumor, according to a study released on Friday. After a four-year survey, scientists at the Institute of Cancer Research in London and three British universities found no link between regular, long-term use of cell phones and glioma.

"Overall, we found no raised risk of glioma associated with regular mobile phone use and no association with time since first use, lifetime years of use, cumulative hours of use, or number of calls," said Professor Patricia McKinney, of the University of Leeds, in a report in the British Medical Journal.

She added that the results were consistent with the findings of most studies done in the United States and Europe.

Anthony Swerdlow, a co-

author of the report, from the Institute of Cancer Research, said the survey is larger than any of the other published studies and part of a collaboration involving 13 countries.

During the past two decades, the use of mobile phones has risen rapidly worldwide but there has been no hard evidence to substantiate fears that the technology causes health problems ranging from headaches to brain tumors.

More than 4,000 new cases of brain tumors in Britain and about 20,000 in the United States are diagnosed each year.

Last year, Swedish scientists said mobile phones could pose a higher health risk to people living in rural areas because they emit more intense signals in the countryside. But the researchers on Friday said they did not find any increased health threats for rural dwellers.

New Attractive Bonus

CoolTalk
International Prepaid Calling Card

10% Extra Free Time on Card & Bulk Account
As from December, 2005

It's cool to talk
from N10 per minute

10% Extra Free Time on Card & Bulk Account
As from December, 2005

...It's cool to talk

For more information, Contact The Marketing Department CoolTalk

LAGOS : Plot 267A, Etim Inyang Crescent, P.M.B 80096, Victoria Island, Lagos. Tel: 01-2623651-54 Fax : 01-2614778

ABUJA : Plot 592, Independence Avenue, South City Center, P.M.B 51, Abuja, FCT. Tel: 09-2340073-74 Fax : 09-2340987

UYO : Plot 52, Ekpenyong Street, P.M.B 1138, Uyo, Akwa Ibom State. Tel: 085-203785 Fax : 085-203786

BENIN : Plot 19, Eghosa Street, Oshilama Street, GRA, Benin City, Edo State. Tel: 052-466865

CoolTalk Cards Resellers / Distributors

<p>Lagos: 20, Toyin Road, Victoria Island</p> <p>Abuja: 110, Garki 2, FCT</p> <p>Port Harcourt: 10, Port Harcourt Road</p> <p>Enugu: 10, Enugu Road</p> <p>Onitsha: 10, Onitsha Road</p> <p>Benin: 10, Benin Road</p> <p>Warri: 10, Warri Road</p> <p>Asaba: 10, Asaba Road</p> <p>Calabar: 10, Calabar Road</p> <p>Uyo: 10, Uyo Road</p> <p>Port Harcourt: 10, Port Harcourt Road</p> <p>Enugu: 10, Enugu Road</p> <p>Onitsha: 10, Onitsha Road</p> <p>Benin: 10, Benin Road</p> <p>Warri: 10, Warri Road</p> <p>Asaba: 10, Asaba Road</p> <p>Calabar: 10, Calabar Road</p> <p>Uyo: 10, Uyo Road</p>	<p>Abuja: 110, Garki 2, FCT</p> <p>Port Harcourt: 10, Port Harcourt Road</p> <p>Enugu: 10, Enugu Road</p> <p>Onitsha: 10, Onitsha Road</p> <p>Benin: 10, Benin Road</p> <p>Warri: 10, Warri Road</p> <p>Asaba: 10, Asaba Road</p> <p>Calabar: 10, Calabar Road</p> <p>Uyo: 10, Uyo Road</p> <p>Port Harcourt: 10, Port Harcourt Road</p> <p>Enugu: 10, Enugu Road</p> <p>Onitsha: 10, Onitsha Road</p> <p>Benin: 10, Benin Road</p> <p>Warri: 10, Warri Road</p> <p>Asaba: 10, Asaba Road</p> <p>Calabar: 10, Calabar Road</p> <p>Uyo: 10, Uyo Road</p>
---	--

Resellers Wanted Nationwide



GOMBE STATE GOVERNMENT OF NIGERIA

GOMBE WATER CORPORATION

Following the successful completion of the Gombe Regional Water Supply Scheme, His Excellency, Alh. Muhammad Danjuma Goje, (*Sarkin Yakin Gombe*) Executive Governor of Gombe State, will perform the **official commencement of system testing of the water project**, preparatory to its formal commissioning.

The general public is hereby invited to witness the ceremony which will take place as follows:-

- Date: -** Wednesday 25th January, 2006.
Time: - 11:00am.
Venue: - Lower Zone Water Reservoir, G.R.A, Gombe

Signed:

Dr. Danlami Arabs Rukujei, FCIM

(Zannan Tangale)

Executive Chairman, Gombe Water Corporation



2005/2006 COWBELL-JAMB SCHOLARSHIP AWARDS



Cowbell Milk in conjunction with the Joint Admissions and Matriculation Board (JAMB) is offering 30 scholarship awards to selected candidates with outstanding performances in JAMB examinations. The best 20 candidates in the Universities Matriculation Exam (UME) will receive N100,000 each while the best 10 candidates in the Monotechnics, Polytechnics and Colleges of Education Exam (MPCE) will also received N100,000 each.

The following candidates are the beneficiaries of the 2005/2006 Cowbell-JAMB Scholarship Awards.

UNIVERSITIES MATRICULATION EXAMINATION CATEGORY

S/N	NAME	SCORE	COURSE/UNIVERSITY/FACULTY
1.	Medigiropanajarikawei C	293	Food Sciences /Imo State University, Imo State/Agric
2.	Williams Oritsegbugbemi Oyowe	289	Agriculture/ Delta State University, Delta State/Agric
3.	Ugochukwu Cyprain Ekoh	301	Pharmacy/ University of Nigeria, Enugu State/Pharmacy
4.	Kenechukwu B Emeh	301	Pharmacy/ University of Benin, Edo State/Pharmacy
5.	Ngozi Sandra Esoga	302	Medicine and Surgery/ University of Nigeria, Enugu/Medicine
6.	Ujunwa Esther Agbo	302	Medicine and Surgery/ University of Nigeria, Enugu State/Medicine
7.	Elohor Poko Appah	298	Chemical Engineering/ Imo State University, Imo State/Eng./Tech/Env.
8.	Brian O Arodiogbu	298	Chemical Engineering/ Imo State University, Imo State/Eng./Tech/Env.
9.	Chukwunwe Edwin Chikaodili	310	Economics/ Imo State University, Imo State/Social Science
10.	Lekue Deekae Ley GA	308	Sociology/ University of Port Harcourt, Rivers State/Social Science
11.	Ashiru Tukur Inuwa	303	Geography Education/ Bayero University, Kano State./Education
12.	Ledisi Magnus Ndorn	302	Economics Education/ University of Port Harcourt, Rivers State/Education
13.	Susana Perek Bidio Alfred	308	Communication Arts/ University of Uyo, Akwa Ibom/Arts & Humanities
14.	Ngozi Amara Ihekwo	308	English Literature/ Imo State University, Imo State/Arts & Humanities
15.	Quadri Abayomi Muraina	317	Accounting and Finance/ Olabisi Onabanjo University, Ogun State / Administration
16.	Philip Tonye Buseri	311	Banking and Fin./ Rivers State Uni. of Science and Tech., Rivers State/Administration
17.	Daniel Philemon Saredau	325	Civil Law/ University of Abuja/Law
18.	Oluwafemi James Atoyebi	325	Law/ Obafemi Awolowo University Ile -Ife, Osun State/Law
19.	Yakunat Tony Sankey	305	Computer Science/ Ahmadu Bello University Zaria, Kaduna State/Sciences
20.	Aniedi Patrick Ekpo	301	Computer Science/ University of Calabar, Cross River State/Sciences

MONOTECHNICS, POLYTECHNICS & COLLEGES OF EDUCATION CATEGORY

S/N	NAME	SCORE	COURSE/SCHOOL
1.	Babatunde Bakre Onilewura	248	Agric Science/ Lagos State Polytechnic, Lagos State
2.	Seun A Ogunbamise	246	General Agriculture/ Federal College of Agriculture, Ishigu, Abia State
3.	Kazeem Olakunlegmakinde	256	Computer Science/ Ibadan Polytechnic, Oyo State
4.	Temitope Paul Onanuga	253	Computer Science/ Yaba College of Technology, Lagos State
5.	Olawunmi Ajoke Popoola	259	Food Technology/ Yaba College of Technology, Lagos State
6.	Olusola Michael Ayeni	258	Agric Engineering/ Federal Polytechnic Ado Ekiti, Ekiti State
7.	Ezeoka Kenechukwu	261	Public Administration/ Institute of Management Technology, Enugu State
8.	Salami Elvis Arenrin	261	Business Administration/ Federal Polytechnic, Auchi, Edo State
9.	Okechukwu Geoffrey Ezeokoli	262	Mass Communication/ Rufus Giwa Polytechnic, Ondo State
10.	Mariam Morenike Adelabu	259	Secretarial Studies/ Yaba College of Technology, Lagos State

The awards ceremony will hold on Tuesday January 24, 2006 at Lagos Sheraton Hotel and Towers, Ikeja at 11.00am and admission is strictly by invitation. All scholarship award beneficiaries have been contacted in writing. They are required to arrive Lagos Airport Hotel, Ikeja on Monday January 23, 2006, as from 11.00am where accommodation has been reserved for them and their escorts (only one parent - either father, mother or guardian is required to escort each candidate). Award beneficiaries should come along with original copies of their JAMB exam notification slip and/or print out of JAMB on-line result. For further enquiries, please contact: Joy (08023127628), Donald (08023696111), Bose (08035394313) or call 01-4979645, 4934628, and 4978003.

Healthy and Nutritious Cowbell Milk not only gives you mental and physical vitality, it can also help you realize your dreams.

COWBELL MAKES YOUR LIFE BETTER!

Drink Cowbell Milk and study hard.

YOUR FUTURE, OUR MILK



TOTAL announces QUARTZ Promo winners

Star prize winners

Ticket to Egypt Nations Cup 2006

Names	Phone No	Ticket No
1. Onyebor Okechukwu	08037658671	0165309
2. God is Good Motors	08043217494	0016804
3. Dr John Onwukwe	080 34658320	0104959
4. Adekunle David	08033520598	0111380
5. Mr Remi Hameed	08034754132	0198588
6. Aisha Muhammed		0033144
7. Sam Otori	NBC Plc Kano	0075295
8. Uzoma Nwabuzor	080-36324497	0011491

2nd prize winners

21 inches TV

Names	Phone No	Ticket No
1. Japhet Ezekwu	08036732171	0030452
2. Chester Okoie	08055811506	0176652
3. R. O. Salawu	Disqualified	0088030
4. Donald Enye	080 57430316	0067133
5. Abdou Ahmed	080 45920473	0041818
6. Eninfolami Sunday	080-3353-4610	0058957
7. Mr Bolaji Bamikola	08034433111	0000358
8. Modupe (Eko Hotel)	08023375011	0015344
9. Iessing John	DamikuEst Jimeta	0005640
10. Yususa Abuh	Bichi Kano State	0079125
11. A. Dantladi Usman		0200631
12. Femi Stephens	080-57382462	0003171

3rd prize winners

DVD Players

Names	Phone No	Ticket No
1. Columbus Atueyi	08032005011	0055173
2. Kayode Adeyen	08037553386	0055287
3. Samuel Chinekezi	08034131919	0170874
4. Ogbende Rufus	08035665376	0021059
5. Mowarin Charles	08035257529	0070824
6. Jamblast	08056507417	0036834
7. Mohammed Isa		0235170
8. Umar Ibrahim	080 35971748	0062588
9. Deborah Yakubu	080 36889353	0057463
10. Tahir Mohammed Sani	080 33183504	0057921
11. Pastor E. O. Aponjolu	08039956264	0023923
12. Akika Augustine	08024201156	0013767
13. Nuel Auto Distribution	08023188978	1067670
14. Wasilu	08029301289	0009842
15. Friday		0166747
16. Ali Abuna Balarabe	Masanawa Katsina	0079974
17. A. Wakil Salaudeen	Tudun Wada Gusau	0074206
18. Muhammed M. Tom	Gadin Yamba Maid.	0000061
19. Bello G Madani	Min. Of Health Yola	0007170
20. Okechukwu Ezigbo	33 Abela Rd S'gari	0039773
21. Omoregbe K	Airforce Base Kano	0024559
22. Afolabi Johnson	077-543303	0042264
23. Samuel Gaga	080-36584147	0011407
24. Hon Ezekiel Baba	080-33153419	0002632

Other winners

Standing Fans

Names	Phone No	Ticket No
1. Amanse O.	08037075831	0030260
2. Ubong Effion Okon	08038980706	0035422
3. Ugoike Alozie	08063937328	0055261
4. Peter Okator	08037111680	0050294
5. Emmanuel Ohazurike	08059313646	0083040
6. Charles Tobechukwu	08036987737	0031605
7. Iredia Christopher	0805745417	0021077
8. Olu Otajiga	08062147641	0140273
9. Orobodo Osaretin	08027977988	0021079
10. Lambert Oguayi	08054000134	0177790
11. Bright Obadigwe	08034961683	0090453
12. Felix Dodoy		0070293
13. iyoha Chris	08035844227	0036690
14. Mr. Joshua	08034911952	0088072
15. Wale Ogunfowora	080 23418988	0066298

Names	Phone No	Ticket No
16. Halima Dansuki	080 33118011	0085116
17. Lucky Solomon	080 52730203	0067821
18. Father	080 36513357	0049703
19. Sunday Joseph	08045450447	0062404
20. J.a Adepoju	08035965871	0067715
21. Sunday A. Olakunle	08035830626	0068884
22. Paul Patrick	08039679398	0049076
23. Elias A Anichi	08043333647	0049354
24. Chigozie Ume	08036304068	0048919
25. Babangida Nasir	08044180647	0085134
26. Bukky Olajiwola	08028877613	0058907
27. Jacco Oil	08034037189	0052898
28. Lateef Nasimi	08023330498	0012455
29. Olaborde M. O.	08034000361	0053846
30. Emmanuel A. Awotolu	08034663090	0096982
31. Taju	08030640121	0111835
32. Mr Odeniyi	08035531437	0000011
33. Mr Popoola Rotimi	08033775621	0194909
34. Toyin Bamiduro		0064254
35. Mrs Felicia Ogundej	08039409098	0167195
36. Mr Onibuore	08033186558	0000140
37. Adejumo Adayemi	08038618130	0205738
38. Yomi T.	08023233903	0186685
39. Dr. A. O. Akinsule	08023531651	0076823
40. Dr. Obe Salau	08036109376	0042012
41. Abdul Akeem Oia	08028187034	0007224
42. Usman Yusuf	08057163079	0003012
43. Hashimu Garba	08036894345	0234235
44. Kasimu Takawada	08036417792	0099616
45. Mrs Hauwa Dange	08028755857	0099081
46. Hajia Zahab Saidu	Dabo Ind. Katsina	0038151
47. A Munafi Sanni	Kotar Nassarawa Kano	0214620
48. Usman Rabe	Hotozo Kano	0039171
49. Sani Usman	Gaidinma Rd Kano	0079103
50. Harisu Tashe Guwa	Tashe Guwa, Hadeja	0201176
51. Ndubuisi Chijoke	Tajata Malara LGA	0072238
52. Mamma Nur Mal Kar	Kol-Kol Maidugun	0073197
53. Safiya Musa	fileia Rd. Kaduna	0039448
54. Hanuna R Haruna	Kazaura LGA Jigawa	0018288
55. Abdulkarem J	Zoo Rd. Estate Kano	0200383
56. Simon Danie Kwayil	UBA Plc Kano	0075934
57. Muktar	Katsina Rd Kano	0024701
58. Dr Mary Letin Baba	Unimaid Teaching Hosp	0060775
59. Yussuf Ibrahim	Katadac Katsina Town	0018463
60. Emenike		0004242

Footballs

Names	Phone No	Ticket No
1. Chigozie Ezeigbo	08038444169	0055808
2. Nwabueze Chinonye	08037066872	0055535
3. Chief Bassey Ekong	08038706753	0035443
4. Mr Eido Ubr	08038769404	0034429
5. Ezeome E R	08035476415	0000583
6. Sir G. M. Enweremadu	08034417211	0082805
7. Chukwubuike Obi	08035885419	0051717
8. Mr Gabriel Isiadonso	042-255895	0064911
9. Mr Emmanuel Idowu	08033936555	0031707
10. Anyaibe Calli	08033135503	0030941
11. Benjamin Ojo	08062079937	0141576
12. Kunie Akinsoye	08043300988	0017068
13. Ugochukwu O.	08037411861	0088712
14. Agapiena	08037145175	0090086
15. Akindolre M. D	08035660991	0088948
16. Musilu Alimi		0036300
17. God Is Good Motors	08043217497	0020479
18. Enebiri O. O.	08037576972	0091912
19. Christopher	08034266766	0182808
20. Moses Emusraghe	08035630710	0156966
21. Adelokubo Joseph		0109157
22. Lucky Iyayi	08023766859	0189968
23. Evangelist Asomaku	08032302295	0090458
24. Ola Joseph	0806078528	0120271
25. Mr. Vincent Okoh		0120532
26. Aih Alhassan Lanky	080 34507915	0229106
27. Mr Abaka	080 23463920	0062706
28. Damya Abubakar		0067718

Names	Phone No	Ticket No
30. Ahmed Suleman	080 32180991	0044467
31. John Eyangha	080 24342799	0241584
32. Aih Nasir	080 35957213	0241963
33. Terfar	080 36478001	0235236
34. Philip George	080 35968201	0044539
35. Abubakar Alhaji	080 36889390	0069555
36. Davo Gyan	080 57309645	0049953
37. Aneke Okwu	080 36569616	0063882
38. Hanuna Mohammed	080 28903424	0049999
39. Ojo Joshua	080 30481183	0063970
40. B Ibrahim	080 33092051	0068355
41. Okosun J.O	080 33351609	0063553
42. David Igor	080 53664002	0049722
43. Ninaji Hillary C	080 36463709	0100563
44. Lade Mararaba	080 52574883	0041290
45. Edwin Ihemebiago	080 28756749	0062870
46. Abdul Ahmed Oboh	080 27439626	0100978
47. Yusuf Musa	080 56021870	0062298
48. Olaoni Abiodun	080-30640121	0097653
49. Adegoke	080-33530372	0237031
50. Lucky Boy	N/A	0096583
51. Charles Oso	08052145195	0236044
52. Keny Ben	08027278496	0023555
53. Johnson Babatope	08052113297	0012536
54. Ayo Balogun	08055266770	0013138
55. Niyi Adepoju	08028999119	0059909
56. Fabode C.	08038029925	0097945
57. Owoye	08023157479	0059683
58. Lasisi	08025914914	0012104
59. Mrs Chioma Nnachetta	08023895162	0243833
60. Ogunsola Kayode	08034957615	
61. Elabor Sanusi Idris	08038171954	0166224
62. Mrs Mabel Dele	08035379320	0159695
63. Mr Cyril Imaralu	08033126430	0015343
64. Bisi Bolaji	08027830601	0204385
65. Ester Owonaro	08023205987	0009996
66. Mr Amuda Adegbenro	08038416392	0026519
67. Tayo Samuel	08024728186	0015045
68. unday Oladosun	08055250962	0026862
69. gboji Nwagu C.	08035313636	0076021
70. DNL	8033434902	0001727
71. hris Gimi Chosen	08033592738	0064151
72. M S Okena	47 Ahmedu Bello Way	0079426
73. Aih. Abdullahi	Goronyo Town Sokoto	0095556
74. Aisha Musa	Pry Edu Board Yola	0087369
75. Hajia Laraba Wambai	Taraba Agric.Dev.	0005952
76. Naima Isah	Ifad Sokoto.	0078030
77. Ande W. R.	Kano Police Comm.	0004472
78. Aih. Abbas Saleh	197 Fagge Kano	0079684
79. Hamisu Muhammed	Dantlilan Mot. Nabawa	0227461
80. A. Munafi Sanni	Kotar Nassarawa Kano	0215692
81. Richard D. Masonya	Numan L.G.A.	0005294
82. Zakka Akawu	Firs Garu Abuja FCT	0078426
83. Aih. Sani Gambo	Kawo Layout Kano	0078425
84. Ibrahim Sule	Zoo Rd. Quar Kano	0019989
85. Monday Emmanuel	Ajakuba Junc. Dikou	0025194
86. A. Munafi Sani	Kotar Nassarawa Kano	0215648
87. Salisu Muhammed	Sabon Lina Katsina	0038156
88. Adewunmi Shina	N M I Kano	0074827
89. Yakubu Ben Akanu	Kaura Namoda Zam	0024977
90. Adamu A L	140 Jambulu St Jimeta	0005547
91. Lawal Musa	Gidan Sarkin Doka	0061711
92. Bernard Okorie	N S & C D C Maiduguri	0072114
93. Bature Muhammed	F C E T Gusau.	0093852
94. Muktar Muhammed	Da3Y Sarki Muktar Rd	0025221
95. Ibrahim Musa	Zoo Rd Quarters Kano	0025357
96. Azma Ilya	Bagira Otrs Adamawa	0087061
97. Salisu M. Maikusa	70 Ibra, Taiwo Re Kano	0075160
98. Isah Majidadi	House of Assen. Kano	0078150
99. Umar Muhammed	Farawa Quarters Kano	0094235
100. Samaila Idi	C/O M D S Dep Gusau	0004797
101. Habib A.	Madawan: Katsina Tow	0033979
102. Aih A. R. Giwa	077-545975	0042602

Names	Phone No	Ticket No
103. Madu Maina	08023748703	0043779
104. Aih Umar Ali Bui	08035892369	0010721
105. Silas Sunday	08054137689	0002305
106. Safiya Umar Moha.	08036470424	0003451
107. Bandy Onuwka	08033773689	0006734
108. Monday Sunday	1. Kings Road	0006330
109. Madam Lawarance	Giwa Local Govt	0006582
110. Abdulkarim Aguru	08033735843	0099052
111. Kabir Inuwa	08036448423	0098567
112. Emeka Cosmas	08035974296	0029502
113. Idris	08053666261	0099494
114. Pabohah Ishaya	08028782853	0098170

T-SHIRT

Names	Phone No	Ticket No
1. Mr Prosper Ishima	08033770762	0055229
2. Cpr Sule Fada	08023669815	0055279
3. Unem Udokano	08033855508	0034091
4. Ikechi Okoronkwo	08033137009	0055109
5. Tamar Ombolor	08037429461	0050299
6. Egbuji Chuma	08037229148	0054264
7. Mr Damian Ikpa Opara	08033708531	0051884
8. Umesulike Esther	08045065136	0030747
9. Eyo Nsa	08036677781	0034166
10. Amobi Ngonadi	08037029055	0031997
11. Miss Chinyere Okoye	08037742997	0055914
12. Albert Sogules	08052032310	0174343
13. Engr Charles A. Okator	08043229963	0031830
14. Ndubuisi Anizoba	08034044381	0171880
15. Amaka Nweje	08054649549	0055449
16. Ifeachor Vincent	08034168810	0050419
17. Dike John I.	08033382925	0064400
18. Mr Paul C. Ndukwe	08064321525	0249390
19. Mrs Stella I. Okorie	08035472228	0031563
20. John Ude	08030805264	0055922
21. Mr Francis Ifeanyi	08033409836	0034114
22. Ikemefuna Ijoma	08036695920	0165892
23. Beatrice Ichoku	08037252402	0171733
24. Hyman Nwoko	08033925173	0030480
25. Damian Oguamanam	08037792219	0165854
26. Ajoku Chigosu Ajoku	08054739282	0034851
27. Mrs F. Onwuegbo	080334035	0164294
28. Pst Destiny Ogunka	08035469795	0030637
29. Dele Ishola	08036729288	0055270
30. Obinaco	08037111712	0050423
31. Sunny Akinyemi	08037181221	0030628
32. Fortune Kalu	08038984051	0171278
33. Mrs Elvis Joseph	08037049743	0165700
34. Henry C. Uyaeme		

QUARTZ 5000 Promo — Names of winners (continued)

Names	Phone No	Ticket No	Names	Phone No	Ticket No	Names	Phone No	Ticket No	Names	Phone No	Ticket No
51. Mr Abayomi	08037266169	0008796	133. Adeyemi T.	0058580	0058580	213. Frank Fredeuse	08036217631	0069383	290. Voke Iburu	08030737318	0119864
52. Bashiru Y. dawaki	080339063131	0045462	134. S. Ogunleke	08035848608	0123090	214. Yusufu Yakai	08027440243	0069119	291. Atorkoghene O.	08039342922	0152962
53. Aminu D. adamu	08056744490	0047757	135. O. Adeyemi	08024616869	0023208	215. Mr. Leramo Ayomire	08038603406	0088946	292. Emmanuel Eghe	08027892025	0071444
54. Mr Kaie Isaac B.	08028320003	0015903	136. A. Aiarape	08030756125	0237037	216. Dennis Out	08023284354	0108154	293. Agbukem O. S	08036750265	0158548
55. Ganiyu Otaiekan	08035698207	0077921	137. Keke Job	0023151	0023151	217. Dada Joseph	08058548258	0188860	294. Omoneven	08032862215	0157988
56. Mr Adesina	08057260331	0204637	138. Seyi Omole	08033932282	0096566	218. Omosola Gbenga	08034399025	0089748	295. Mr. Samson Salawa	08036990523	0008700
57. Precious H.	08052276194	0205713	139. M. Olasebikin	0053371	0053371	219. Ojo Adetunji	08051392358	0020739	296. Mrs. Mary Onmu	08032458977	0177030
58. Uche James Osondu	01-8966114	0204988	140. I. Akande	08037283373	0023946	220. Ifeanyi Udeh	0020054	0020054	297. Mr. Adekanmi	08038507009	0108050
59. Labake Abdul	08023640931	0199939	141. Dr. A. Adenbigbe	08037134306	0059093	221. Fakorede F. F.	08035362277	0037765	298. Jarry Vili Daura	08038507009	0003180
60. Jamiyu Lafi	08029716021	0014462	142. M. Ishola	08065312812	0058458	222. Okomfe Charles	08038134564	0016426	299. Francis Ijinbilo	U B A Maidugun	0033946
61. Abdul Daramola	08028274755	0204601	143. Egbinoia	08055376178	0053811	223. Richard Megbulofar	08052769527	0071812	300. Aminu Ali	Gangara B T LGA	0073185
62. Mrs Odennde	08033824954	0006003	144. Ogunoipe	08060757446	0237025	224. Augustine Okolo	08037815892	0233641	301. Abdulmonafi Sanni	Kolar Nassarawa	0014730
63. Mr Wale	08038340738	0081158	145. Abdurazaq	08033918131	0110029	225. Edege Motors	08033030410	0177916	302. Felicia Sunday	Sokoto Hotel Sokoto	0082374
64. Mrs Adenito	08037144536	0076880	146. A. Adeosun	08026129117	0096163	226. Capt. Ojughana	08033030410	0108570	303. Chukwudi Ewerem	Sokoto	0024077
65. Ebele Ojukwu	08037151447	0080758	147. I. Adewusi	08035232540	0012713	227. Emma	08033200834	0126112	304. Hyginus Onyekavio	1E France Rd Sabo	0078842
66. Akeem Yusuf	08033320098	0202868	148. S. Olaywoia	08057029747	0053845	228. Edege Motors	08034277121	0177935	305. Samaila Idi	Mr D S Deool Gusau	0004706
67. Francis Otiorye	08037255217	0076648	149. O. Adeniji	08060086504	0110359	229. Deacon Esan	08034277121	0185194	306. Abba Auchan	Court Rd. Hausawa	0018803
68. Mr Oluwade Onasanya	08034055678	0015511	150. O. Sikiru	08038013136	0244287	230. PA Clifford	08059824092	0037323	307. Aludo Musa	Kotoko Kano	0078821
69. Mr Akingbasote	08038410834	0081625	151. Dichea Iroanwusi	08034726875	0057478	231. Jebosa	08037096035	0127959	308. Dahir Sunusi	Loco Mikra Gwaleo	0075307
70. Mr Sunday	08039693961	0015700	152. Paul Akpovi	08033155502	0056028	232. Olahunji Babatope	08035078417	0222404	309. A Monafi Sani	Kolar Nassarawa	0015484
71. Mr Tunji Osho	08032246532	0009522	153. Adejo Yusuf	08036794949	0041835	233. Lucky Orwah	08032545366	0016444	310. Garba Na Maitaba	Mn. of Housing	0080012
72. Joy	08035229960	0064073	154. Tsukwa Aline	08045932656	0044611	234. Timothy	08023365403	0017760	311. James P	G R A Maidugun	0002583
73. Mr Idowu	08028117366	0076115	155. Moh'd D. Kolo	08033573951	0045939	235. Osaro	08038085881	0071404	312. Mrs Chinyere	Sokoto	0004881
74. Mr Issac Oguniyi	08039418586	0080265	156. Yahaya Suleiman	08036588183	0067352	236. Emma Etelaha	08038307647	0030902	313. Modu Goni	Gwanga Quarters Dam.	0075610
75. Mrs Oni	08033110463	0076241	157. Samuel Okechi	08065544678	0048093	237. Adedoyin	08038307647	0185131	314. Akwu Adamu	Nalawo Kano	0139853
76. Gaji Taiwo	08034550976	0243352	158. Jonathan Kadin	08023795504	0067605	238. Bode	08038307647	0222170	315. Andrews Linus	Mayo Bawa Adam SL	0005754
77. Mr Tony Umakor	08023011809	0008849	159. Abubakar M. Suleiman	08038892853	0069341	239. Amure	08038811765	0177558	316. Bello Umar	Freedom FM Rd. Kano	0075321
78. Jimoh	0015465	0015465	160. Aminu Abdulahi	08035991454	0063491	240. Ade Yusuf	08062645389	0109370	317. A. Awalu	121 Kofar Waike Kano	0075740
79. Ali. Barire	08033224809	0186007	161. Awalu Ibrahim	08036110939	0104998	241. Mr. Deji A.	08035031938	0089655	318. A Munafi Sanni	Kolar Nassarawa Kano	0215843
80. Ali. Rasaan Olaleye	08037152120	0064155	162. Semiu Demola	0803173876	0234829	242. Friday	0804923143	0088997	319. Ali Baba Alhassan	Kakuwa Dawakin Kudu	0076186
81. Tombri Y. Selekowei	08025145157	0187004	163. Christiana Essien	08055457099	0044858	243. Ukpodor	08023719229	0020304	320. Beatrice Daniel	Unimaid Med & Health	0073980
82. Mr Fadare M.o.	08037185939	0009432	164. Yusuf Dogara	08065667748	0063917	244. Tomson	08027624443	0177266	321. Suleiman	Rejima Katsina Rd Ka	0052760
83. Ayo Bamisaye	08023078504	0015420	165. Adelle Adewuyi	08036215177	0063741	245. Owoye Dele	08034159054	0222163	322. Kelechi Nwachukwu	Gesse GuestHse Birnin	0004207
84. Monrufu Gazza	08055261217	0015839	166. Betty M. Egga	08032882818	0066168	246. Mr. Olorundipe	08059399415	0108571	323. Apena S A	I T A Taruni Kano	0079767
85. Mr Yinka	08033456798	0009947	167. Hajia Fatima	08036691478	0040559	247. Philip	08055137798	0020361	324. Badayi M. Kurawa	Afriank. Lag St. Kano	0079640
86. Adebisi Isaka	08025617275	0099973	168. Muhd Umar	0805328225	0040160	248. Prince John Eweka	08039248645	0171670	325. Deborah	Low Cost Hong Est Maid	2474146
87. Fs Chike Abochi	08023023611	0080051	169. Victor Ijeh	08033587233	0100570	249. Mr. Babaio	08039248645	0088003	326. Ahmad Sabo Dado	No 41 Nalawa Kano	0075437
88. Chief A.u. Ikogw	08022231604	0014869	170. Abraham Matthew	08023263410	0048670	250. Junior Akpovada	08035694019	0071619	327. O Go Abba	Ngoman Wd. Jere Maid	0072111
89. Adrew Etsetowaghan	08033352637	0159132	171. Samuel O.	08057162925	0004535	251. Mr. Dave Akindi	08030656592	0036159	328. Abbas Salisu	Sharifa Quarters Kano	0094005
90. Gabice Dommic	08033503490	0008715	172. George Oke-oboh	0803507509	0006635	252. Mr. Arizeen	08033888288	0185202	329. Stephen Bitrus	Damba Rd Maidugun	0073470
91. Ajayi Kunmi	08036801053	0026736	173. Timothy Olubukola	08053781139	0084555	253. Alaafta Bread	08035724518	0108451	330. Ibrahim Sule Maiyano	Mn Of Finance Katsina	0079928
92. Mr Wale	08060196207	0009921	174. Shina Segun	08035997545	0069393	254. Dayo Balogun	08037815909	0119977	331. Bala Duste-ma	Kajjara Katsina State	0038685
93. Mr Opute Ebinu	08053067409	0159222	175. M.b. Layya	08033145254	0048559	255. Ogbevire Julius	08033445683	0070865	332. Muhammed Garba	Mn. Of Envir Kano	0025528
94. Mr Ademola A.	08033435609	0047775	176. Mrs Ann Orobogha	08042117108	0068301	256. Toka Ederin	08037149729	0070664	333. Aihaji Lily	Abdaganaram Maiduguri	0035961
95. Ugechi Obi	08023121384	0081517	177. Abdul Baba Dikwa	08036013822	0062901	257. Okafor	08028385243	0088890	334. Isah Musa	Kolar Sanni Katsina	0036674
96. Onna Idowu	08055133610	0077915	178. Sunday Yahaya	08052727628	0084110	258. Mr. Johnson	08039248645	0070245	335. Nugreren Adah	Kolar Kwawa Katsina	0019663
97. Nurudeen Olapo	08023884899	0008038	179. Godwin Ngedu	08052667154	0063744	259. Obalafe	08057172380	0151851	336. Sale Ado	Chromawa Birnin Kudu	0039744
98. Mr Sunday	08027350482	0000346	180. Ikhenamoh Atanagbe	08038676681	0045943	260. Mrs. V. P. O. Bookshop	08034985331	0036289	337. Aishatu S. Gezawa	195 Kankarofi	0075704
99. Layi Odeinde	08037141318	0199269	181. Musa Ismail	08027649717	0049962	261. Ezeikel Ella	08033384963	0126147	338. Mallam Isah	Jikason Katsina State	0083674
100. Ayo E. Aijafe Esan	08033346228	0166674	182. Sunday Agamachi	08052062724	0085162	262. Mr. Isumala	08033632908	0088471	339. A Munafi Sanni	Kolar Nassarawa Kano	0214570
101. Ali Osiyemi	08037061908	0244913	183. Franca Osakwe	08023122445	0084370	263. Mr. Mumuni	08033632908	0109649	340. Sule Alfred Shaibu	Arewa Motors. Birnin Keebi	0093217
102. Adebowale	08052003338	0097510	184. Taree Obu	08036006937	0067676	264. James Akpobe	08063839971	0070423	341. Shehu Aliyu	Kolar Kaura, Katsina	0038137
103. Amuleya T.	08038084173	0013635	185. Moh'd Yunusa	08056415927	0044536	265. Mr. Yomi Fashina	08034923646	0090560	342. Standley Ebene	Kolar Kwawa, Katsina	0038682
104. Oluwatosin Adebayo	08033520598	0097505	186. Ali. Abdullahi Yeiwa	08037882327	0063642	266. Mr. Joseph Fadahunsi	08039448275	0037617	343. Moses Jelishopa	Sharada Quarters	0038927
105. Amos Ojo	08062183493	0096406	187. Abubakar	08035964435	0045901	267. Alake Oyolabi	08039448275	0185229	344. Abbas Salisu	Sharifa Quarters Kano	0094064
106. Yemi Bello	08035801275	0231969	188. Chinedu Agoson	08033036846	0229224	268. Aduloju K. A.	08062564625	0141661	345. Abunde Francis	Guma LGA Benue State	0078867
107. Abdullahi O.	08038627344	0052841	189. Lawal Muhd	08035727590	0062001	270. Moka I. C.	08033834433	0020310	346. Aikam Ibrahim	BON Nassarawa Branch	0075267
108. Babalola Folosho	08033810613	0022167	190. Mallam Yahya	08036261658	0066204	271. Chi Chi	08033666530	0020156	347. Muktar Adamu	INTELS Abuja	0075947
109. Oje	08033246784	0012652	191. Akanji Musa	08057337789	0045234	272. Larry	08023250232	0071720	348. A. Munafi Sani	Kolar Nassarawa Kano	0215660
110. Ayisat Olanrewaju	08034571086	0244510	192. Stephen Egena	08042731608	0049710	273. Chinedu Onah	08033609391	0091748	349. Hassan M. daniel	UNIMAIID Medical & Health	0061438
111. Alaba	0230515	0230515	193. Uchenna Louis	08037035413	0004549	274. Livinus Azode	08063668240	0177022	350. Adamu Garba	B U K, M. i. s. Dept Kano	0075110
112. Olatubosun W.	08034038246	0023291	194. Baba Jimoh	08036866930	0100594	275. Olukayode Ajayi	08034274081	0089701	351. Isahmusa	Ahmadu Bello Way Sk	0092651
113. B. Aina	08055534754	0053386	195. Dennis Audu	08037023828	0063954	276. Adetisan E. A.	08060228778	0109904	352. Aihaji Abatcha	ShehuSanda Kura Rd	0073454
114. Abayomi	08034062034	0096702	196. Isaac	08033211036	0057399	277. Aihaji Julex	08056014137	0017782	353. Aihaji Sabo	AbenaMayoBellaAdawa	0060867
115. Ibukun O	0052197	0052197	197. Okechukwu Amadi	08036786058	0057888	278. God Is Good Motors	08037239563	0151005	354. Mustapha Hassan	Mai Ungwan Water Inst.	0079806
116. Abdul Waheed	08038075633	0058934	198. Emma	08032860505	0068577	279. Toyin Ayeni	08037260739	0140346	355. Fred Zambamela	RCCG King of Kings Numan	0007883
117. Wale Mustapha	08059230993	0053049	199. Moh'd Yanda	08059220067	0063249	280. Akingbade Abio	08039310306	0109998	356. Aihaji Yaro	Emir Yahaya Rd Sokoto	0038569
118. A. Adekunle	08039202986										

KANO TRUST

One injured, as Hisbah clash with musicians

At least one person was severely injured while several others sustained injuries in Dutse after a clash between Hisbah guards and a musical group that came to entertain people at the state market square.

Trouble started when Hisbah guards numbering about twenty stormed the market square where hundreds of people were watching a musical group entertaining the audience.

According to several eyewitnesses at the market, the Hisbah men had pounced on the entertainment group while confiscating their musical instruments in the process with a view of stopping them from carrying on with the show.

Idris Sambo told *Kano Trust* that the Hisbah guards suddenly appeared at the scene and took on the musical group. His words: "we were only watching the Hausa musical group doing their usual show when suddenly the state HISBAH guards came in and started chasing everyone away while giving orders that the activity must

From Ahmed Abubakar, Correspondent (Dutse) discontinued as it contravened Shariah laws of the state."

Idris said the market square is a place where people often go to "and have fun as a means of unwinding from the formal working hours during the day".

Malam Isyaku Kwatolo who sells sugarcane at the market said the Hisbah was right in stopping the musical show or "any bad activity that it felt might be a threat to the people in the community" stressing that, "Islam has encouraged that when one sees evil, one should try and dislodge it according to his might and the actions by the guards is in accordance with the principle of Islam."

He continued: "although their sole purpose is to guard against committing evil and advice on doing good, they shouldn't have approached the situation the way they did, instead a more civilized confrontation may have spared all the trouble."

Kano Trust investigations revealed that the market

square has been turned into a joint for drug addicts raising concern among residents in the area. Residents have, even before the clash been complaining that apart from the actual routine of buying and selling in the day time, the place also serve as a joint for hard-drugs, alcohol and prostitution at night.

When our correspondent visited the market at night the area was a beehive of activities as both men and women were freely whiling away their time as the air was filled with stench of Indian Hemp while people in different groups were busy playing cards.

An *Achaba* rider at the market told *Kano Trust* that, "this market, at night, is a meeting place for those that want to run away from the loneliness of their homes."

The *Achaba* rider, who preferred not to disclose his name, said he made more money "in times like this, as people come into the state from neighbouring towns to socialize and meet their friends".

Stop sabotaging Shekarau, NUT warns LGs

The National Union of Teachers has accused Council chairmen in Kano state of sabotaging the educational policies of the state government through withholding basic entitlements of teachers in their various local governments, even as it warns them to desist from doing so.

A communiqué issued at the end of Kano State Wing Executive Council (SWEC) emergency meeting signed by union's chairman and secretary, comrade Isah Inusa Danguwa and Alhaji Sa'idu Adamu Chindo stated that the entitlements being withheld by the local government include promotions, annual increments and salary advancement among others.

The SWEC condemned "in totality the deceit of the Fagge local government chairman and his non-fulfillment of pledges concerning teacher's right and benefits" in the area.

From Aliyu S. Machika, Correspondent (Kano)

The communiqué also called on the state government to take all the necessary measures in resolving the problem facing teachers in Fagge and other local government councils in the state, adding that if the state government refused to take actions against such attitudes, then it will amount to deliberately undermining educational development in the state.

"SWEC expressed its appreciation to the present state administration over its effort towards improving the welfare of the teaming teachers in the state as well as educational sectors through the provision of infrastructure, working materials, and special allowances to the teachers for the general up-liftment of educational standards," it added.

The body then hailed the

state legislature for its intervention in the crises between teachers in Fagge and the local government chairman, urging the assembly to ensure speedy conclusion of the matter.

"SWEC also notes with appreciation the effort of some few local government council chairmen who are diligent in settling the entitlements of teachers in their local government areas," the communiqué further stated.

The NUT also called on the state and local governments to redouble their efforts in providing infrastructure and emergency repairs of dilapidated buildings in schools across the state.

It then called on state government to integrate primary school teachers into the newly-introduced allowances namely "rural posting allowance, science teachers allowance, games allowance among others" enjoyed by their counterparts at the post-primary levels.



University of Abuja

P.M.B. 117, Abuja, NIGERIA

(Office of the Registrar)

ACADEMIC STAFF VACANCIES EXTERNAL ADVERTISEMENT

FACULTY OF MEDICINE

Applications are hereby invited from suitably qualified candidates to fill the vacancies in the following academic departments of the New Faculty of Medicine.

Basic Medical Services Departments:

1. Anatomy
2. Physiology
3. Biochemistry
4. Pharmacology
5. Pathology
6. Chemical Pathology
7. Haematology
8. Medical Microbiology
9. Human Nutrition

Posts In Each Department

Professor
Senior Lecturer
Lecturer I

Qualification

A candidate for any of the positions must have sound academic qualifications for teaching in a University or similar institution. Minimum qualifications for Professor, Senior Lecturer and Lecturer I in these departments include MB, BS, M.SC/Ph.D, for the departments (5-9); a fellowship (FMCP Path or FWACP) in the relevant department will be an additional qualification. Evidence of clear scholarship, academic and first Doctoral or Masters Degree teaching experience is also required.

In the case of Professor, the candidate must have not less than 10 years teaching experience, while the Senior Lecturer must have not less than five years teaching experience in a University. Candidates for the post of Lecturer I must have taught in a University for not less than three years. The level of appointment will depend on teaching and/or research experience in a University or comparable educational institution.

SALARIES

Professor	UASS 7 (N522924-N753549)
Senior Lecturer	UASS 5 (N420060-N645528)
Lecturer I	UASS 4 (N338323-N442731)

Method of Application

Candidates are to submit ten (10) copies of their detailed Curriculum Vitae which should also be accompanied with copies of relevant credentials to:

The Registrar
University of Abuja
P.M.B. 117
Abuja

To reach him not later than six (6) weeks from the date of this publication.

Signed:
M.B. Modibbo
Acting Registrar

EKO TRUST

Collapsed building kills 6 month-old baby, 7 others

Tragedy struck Thursday morning in Lagos when a four-storey building caved in, killing at least eight persons including a one-day old baby, while trapping thirty people.

Investigation by our correspondent revealed that another six-monthly old baby with his mother was among the casualties in the incident which occurred at No. 1, Mosefajo Street, Amukoko, a densely populated area of the State.

Our correspondent reported that tears flowed freely as bodies were being retrieved from the rumbles of the collapsed structure, even as the most of the victims suffocated to death shortly thereafter.

The incident, according to eye witness, occurred at about 10 O'clock in the morning when many of the residents, including expect-

Trapped expectant mothers, 30 others suffocate to death

By **Olumide Bajulaiye,**
Correspondent (Lagos)

ant mothers and women who put to bed recently inside a clinic called Ifeanyichukwu clinic, equally housed by the collapsed building, were still in-doors.

The building, which houses four restaurants and a clinic was said to have collapsed after cracking early that morning.

Eko Trust gathered that the building collapsed 15 minutes after the cracking noise, even as those trapped are said to be unable to escape.

Following fruitless efforts to rescue the trapped victims, Julius Berger Construction Company was contracted rather hurriedly by Lagos State government

to scoop the humbles in search of the victims.

It was also gathered that the owner of the property had earlier been ordered by the authorities to stop further development, but he defied it.

According to the General Manager, Lagos State Physical Planning and Development Authority, Mr. Suleman Alabi Yusuf, government notified the owner, November last year, but he defied it.

"November last year, we stopped the owner from further development because we discovered that he was over-building what the foundation could carry.

"We gave him final order this year but he continued and this is what it has resulted to".

Asked why they allowed him to continue the construction, he said once a property is sealed, it is expected that nobody should go there, but the man defied the order. He said there is a law in the State which will take its cause on the matter.

Speaking on the incident, the Health Commissioner, Dr. Leke Pitan told newsmen that he was in contact with the trapped women via phone and will rush them to hospital once rescued.

Although, he refused making further statement, he said an ambulance was waiting to rush them once rescued.

And, for hours, efforts were made to rescue the victims who, however, later

suffocated to death.

A woman that suffocated to death delivered a baby six months ago and the baby was among those who died in the mishap.

An eye-witness said the building was originally a two-storey building before the owner added another two.

Another eye-witness who did not want his name in print, said sometime last year, a detachment of mobile policemen came to the place and sealed the building and the landlord was arrested and taken to Alausa, Ikeja, Lagos. However, the man was released and reportedly continued with the building.

Present at the scene to rescue the trapped victims, include the Lagos State

Commissioner for Health, Dr. Leke Pitan, Commissioner for Special Duties, Chief Dele Ajomole, the General Manager, Lagos Physical and Development Authority, MR. Suleman Alabi Yusuf and Chairman, Ifelodun Local Government Area, Mr. Taiwo Adenike.



Governor Ahmed Bola Tinubu

PUBLIC ANNOUNCEMENT 1 (REGISTRATION AND CLASSIFICATION OF MOVIES)

(1) The National Film Video Censors Board is the regulatory body set up by Act No.85 of 1993 to regulate films and video industry in Nigeria. The Board is empowered by law to classify all films and videos whether imported or produced locally. It is also the duty of the

Board to register all films and video outlets across the country and to keep a register of such registered outlets among other functions

(2) The attention of the Director General of the National Film and Video Censors Board has been drawn to the practice by operators in the industry who distribute, exhibit, market and rent out uncensored and unclassified films to unsuspecting members of the public. This is unwholesome, and unacceptable.

(3) The Board wishes to make clear that this practice violates section 29 (i) and 34(i) of the Board's enabling law, Act No. 85 of 1993. Consequently, the board directs as follows:

- (a) That all operators involved in the distribution, rental and management of video clubs and related practices must as a matter of statutory obligation:
- Register all movies, whether Nigerian or foreign
 - All movies jackets/posters must bear the relevant classification symbol and advisory message
 - Register the premises used for the business, and
 - Withdraw all uncensored and unclassified movies

To ensure that these ugly trends are corrected, the Board hereby announces that it will:

- (4) Embark on a nationwide video club/retailer re-certification exercise and all video clubs, retailers, distributors and marketers are given up to 30 days from the date of this publication to regularize their status with the Board.
- (5) During the exercise all operators will have to show evidence of ownership or copyright assignment, as the case may be.
- (6) Concerned operators are warned that total compliance to this directive



Plot 730 Alexandra Crescent,
Wuse 11, Zone A7, Abuja

must be effected within 30 days from date of this announcement. Failure by any operator to heed this warning would be inviting prosecution and other legal measures

PUBLIC ANNOUNCEMENT 2 (PAYMENTS TO (NFVCB))

The National Film Video Censors Board is the regulatory body set up by Act No.85 of 1993 to regulate films and video industry in Nigeria. The Board is empowered by law to classify all films and videos whether imported or produced locally. It is also the duty of the Board to register all films and video outlets across the country and to keep a register of such registered outlets among other functions

The National Film and Video Censors Board wishes to inform the general public, most especially its clients, that with effect from January 2006, all payments for the services rendered by the Board can only be made by direct lodgment into her account in a bank duly approved and designated by the Board, or through bank draft and cheques. Such payments would be followed with the presentation of the bank tellers to the appropriate Censors Board office.

All payments to the National Film and Video Censors Board should be made through the following banks:

1. Oceanic Bank : Acct Number - 0661301004848
2. First Bank : Acct Number - 4062010019122

Signed,
Emeka Mba
Director- General
National Film & Video Censors Board (NFVCB),
ABUJA, January 16, 2006

QUARTZ 5000 Promo — Names of winners (concluded)

Names	Phone No	Ticket No	Names	Phone No	Ticket No	Names	Phone No	Ticket No	Names	Phone No	Ticket No
359. Aminu Sani	Sokoto Sokoto State	0095448	398. Samuel Wilson	Sokoto Sokoto State	0024060	437. Ali Bukar Mustapha	Dikwa Low Cost Maid	0073472	474. Faruk Ahmed	08042156374	0008011
360. Buhan Didaj	H S M B Sokoto Sokoto	0093226	399. Salisu Musa	Kaura Namoda Rd Gusau	0024133	438. Muhammed Sanni	Holbro Quarters Kano	0094277	475. Mukaram Adaniawo	08023739909	0028642
361. Basira M. Munir	15 Abadie Street Sabo Gari	0073351	400. Mr Ahit	Tukur Road Kano	0079861	439. Usman Katuka Haliru	V-mobile Office Kano	0058771	476. Issac Monday	08065513481	0007970
362. Abbas Muhammed	779 Industrial Ave Kano	0200039	401. Kabiru Muhammed	Sokoto North Sokoto	0072305	440. Haliru Umar	Shagan Quarters Hadeja	0039700	477. Adamu Yau	08035901471	0003722
363. Fanded Gaven	Control Tower Makia Rd	0004454	402. James K. Kwaga	11 Auditor MultiNorthMobi	0087714	441. Kabiru Sabo	Brigade Gita Wodi	0095868	478. Ndubuisi Iluka	08037009959	0029002
364. Muktar I. Bagwaj	30 Fagge Makia Kano	0019014	403. Mazza Yisah	Bama L. G. A. Bamma	0060784	442. Vincent Emeka	Sokoto Sokoto State	0904894	479. Peter Ahmadu	08024364391	0004721
365. Ali Bashir Ruwassa	Ruwassa Katsina Town	0019493	404. Muhammed Bello	Jalingo Taraba State	0087867	443. Audu Gidan Mai	Chinade Maiduguri	0086895	480. Wisdom Izah	08052630252	0028553
366. Victor Daniel	Billing Kufu Abuja	0060731	405. Lawan Suleiman	Yussuf Driver Sharada	0078593	444. Abbas Salisu	Shagan Quarters Kano	0094038	481. E. Onwuchekwa	08036494710	0029003
367. Eng. M. Abdullahi	10 Bk Ach Katsina	0038146	406. Bala Audu	Sahel Makia Airport	0004216	445. Hashim Ahmed Bakun	Landa A Survey Gusau	0074348	482. Mustapha Abdullahi	08039667907	0007516
368. Ali Ahmadu Elwal	Wuru Bukude Adamawa	0087085	407. Muha Maigalan	D C D A Daste Jigawa	0079419	446. Auwalu Magashi	94a. Magashi Qtr Kano	0075428	483. Ado Abdullahi	08052550290	0003763
369. Abdul Nasir	TukulunWataBimin Kebon	0093367	408. Muktar Hussaini	3 Muktar Danamu St	0075681	447. Bashiru Adamu	Taruni L. G. Edu. Kano	0075577	484. Tanimu Abubakar	08032889458	0003764
370. Ibrahim Aihassan	Hotoro Dan Marake	0061612	409. Jonah Sule	Ankpa Kogi State	0072492	448. Jelashep Moses	Shagan Quarters Hadeja	0201027	485. Shehu Yakubu	08035900620	0003765
371. Ali. Ali Sa'ad	Kano	0078488	410. Musa Sanusi	Oo51 Kabuga Est. Kano	0075422	449. Kiemang Dantala		0042328	486. Sani Abdul Zaranda	08037009553	0025735
372. Aminu M.	Abuja	0138957	411. Mr J Mobil	G R A Katsina Town	0032980	450. Ibrahim Saadu	080-33918170	0042293	487. Haruna H. Moha	08057372160	0234135
373. Abubakar Inuwa	Bekaji Jimeta Yola	0005353	412. Y Sanni	Kawo Quarters Kano	0075637	451. Abuchi Urme	080-26677148	0043574	488. A. Y. Bamali	08023729693	0006717
374. Mustapha Muha.	Wulan Police Bars Maid	0073167	413. Aihassan Abdullahi	Abuja Mechanic Village	0005977	452. Timothy Toia	080-37020255	0011844	489. Mrs H. Owuna	08033148127	0099042
375. Zubairu Ibrahim	ABG Comm. Ltd Kano	0078207	414. Brother Philips	Gyadi-gyadi Court Rd	0025075	453. Ishaku D. Dana		0042335	490. Nasiru Yaku	08035900620	0098827
376. M. Amadi	B O N Kano	0075803	415. Abubakar Ahmed	Cano Centre Road Kano	0138131	454. Dada Musa		0042334	491. Salisu Yahaya	08034534970	0234582
377. Akpan Charles	Sokoto State	0092557	416. Abdul-mojee Bello	Mortgage Area Gusau	0074228	455. Engr Bulus Ilaba	080-357060	0042324	492. Umar Ahmed Umar	08065425506	0006480
378. Nuhu Bashiru	Umadaby Daura	0032189	417. Nasiru Tukur	71 Agwara Sokoto	0095624	456. Sani Uba	080-33184278	0042652	493. Bomam Jonathan	08028433744	0095188
379. Mr. Chidozie	Sanni Yahaya Area Sirt	0004663	418. Adokwu Mathias	40 Ibrahim Tarek Rd	0079793	457. Nafiu Abubakar		0010659	494. Dr. S. Alonge	08037014244	0006437
380. Mr Shaiju	Rijarjeum Katsina Rd	0092761	419. Thomas J. Quages	15 Equatorial Guinea	0087207	458. Samuei R. Abende	080-34651305	0010886	495. Mohamed Bello	08035956335	0098678
381. Chinyere Anyanwu	511 Onitsha Road Sabo	0039845	420. Zayyanu A. Alkanchi	Min Of Environment	0095243	459. Musa Atsen	080-27068231	0010839	496. Mrs Hauwa Dange	28755857	0099079
382. Suleiman Mod. T	Fagge Lga Kano	0024727	421. Hammed Isah	Bimin Kudu Town Jigawa	0039737	460. Pastor Ola	080-37035756	0010882	497. Victor	08029005572	0098200
383. Omoreigbe K.	Airforce Base Kano	0024561	422. Ali Hamisu Yahaya	Sch. of Health Tech	0061716	461. Makau Yaro	080-29134804	0006157	498. Lawal Ishku	08027082276	0099457
384. Ali. Munafi Sani	Kofar Nassarawa Kano	0214509	423. Joke Babaiola	Damba Rd Maiduguri	0247132	462. Amupitari Gbadi	080-36585417	0011179	499. Suraji Babafunde	08028719501	0099464
385. Musa Garba	Bulabiyin Area adugun	0073457	424. Hussaini Suleiman	I C B Plc Kano	0079738	463. Yakubu Abdu.	073-464015	0011380	500. Suraju Abdu	08028527311	0099404
386. Nuhu Magaji	Bardawa Kofar Kwaryaats	0038770	425. Ibrahim Umar	Mabela D'road Sokoto	0073303	464. M. G. A. Muham.	080-35971408	0010067	501. Babaginda	08036935448	0099409
387. Abubakar Mustapha	U M T H Maiduguri	0072779	426. Sani Ahmed	Nigeria Airforce Kano	0060530	465. David Eggah	080-36055344	0010395	502. Auwai Moh'd Sharif	08035956102	0234405
388. Danili Sule	Mafem Ismaila Kano	0061607	427. Ali Ayuba Suleiman	Baura Twar Daura Town	0061717	466. Abugusheem	080-23822925	0010637	503. Mrs D. T. Najime	08033701304	0234404
389. Ocheshapo Moses	Shagan Quat. Hadeja	0201071	428. Saadina Abdul Hamid	65 Sultan Road Kano	0019021	467. Emeka	080-39249266	0010571	504. Suleman		0234403
390. Turuk Stephen	colMat. S P Tukuluni SK	0093017	429. Ibrahim Gafari	Tudun Wada Quarters	0138987	468. Auwalu	080-59552817	0011449	505. Timason	069770517	0234685
391. Mr. Saidu	Nepe Yola Jimeta	0005568	430. Abubakar M. Babale	Mubi South LGA Gella	0060988	469. David Umoru	080-65773729	0011086	506. Sofiya Ibrahim	08039434921	0006387
392. Adamu Yahaya	Sanjoko Minna Nigar	0075703	431. Ali Sanni Rabiu	Bakuma Lga Talata	0093407	470. Aaron immanuel	080-34099494	0006116	507. Ali Alhaji Yushah	08025745660	0225772
393. Ajayi James	38 Bello Way Numan	0087838	432. Sheriff I B N Sheriff	Dogonzare Potiskum	0086351	471. Muhamadu Lawo	080-36255415	0010570	508. Umar Abdu-aguye	08037861058	0099377
394. Nuhu Maunde	A T U Yola Adamawa	0005435	433. Abdullahi Musa Anka	Usman Dan Fodio UNI	0074436	472. Olu Abodunnin	080-34524353	0224502	509. Mallam Ya'u		0098366
395. Muhammed Isa	Consulate of Chad in	0033042	434. Haliru Umar	Shagan Quarters Hadeja	0039689	473. Maku T. Cyprian	080-65812430	0007851	510. Aliyu Mohammed	08033120080	0006618
396. Bello Muhamed	169 Mustapha Way Yola	0005672	435. Suleiman Usman	98 Marmara Kano City	0079683	474. Oke Anthony	080-53218738	0029042			
397. Bashiru Bala	Hurumi Bodinga Sokoto	0095285	436. Sani Mande	Education Board Gusau	0004974	475. Jousual Bawa	08028491734	0003752			

TOTAL Nigeria Plc wishes to congratulate all the winners, participants and our customers, who participated in the

QUARTZ 5000

All winners who have not collected their prizes should please contact any of the underlisted addresses

WESTERN

6, Bonny Road, Apapa-Lagos.
Tel: 01-5877211, 5871251,
5871255, 5452295, 5452930,
4752816, 4752815, 7747021,
7747903, 7911338.
Fax: 5874675 & 5877302.

NORTH - CENTRAL

Total Nigeria Plc Total House,
Plot 247, Herbert Macaulay st.,
Central Business Area, Wuse, Abuja.
Tel: 09 - 2347752, 2346790,
2347751, 2345988.
Fax: 2346791 & 2348180.

MID - WESTERN

Total Nigeria Plc
Akpapakva Street
P. O. Box 20, Benin City.
Tel: 052 - 257861, 257856,
253502, 257866, 256390,
256098, Fax: 252893.

KADUNA

AREA SALES OFFICE
2, Kachia Road,
P. O. Box 1433, Kaduna.
Tel: 062 - 236461, 233252,
231613, 237146, 237134 - 5,
Fax: 236462.

EASTERN

Total Nigeria Plc
Plot 474, Trans-Amadi Layout,
Port Harcourt.
Tel: 084 - 236752, 232597, 232161,
231757, 461046 - 8,
Fax: 239663.

FAR NORTH

Total Nigeria Plc
181, Airport Road,
P.O. Box 21, Kano.
Tel: 064 - 639541, 639722,
646178, 318371, 639259,
318370, Fax: 639721.

IBADAN

AREA SALES OFFICE
Mokola Roundabout
P.O. Box 868, Ibadan.
Tel: 02 - 2414185, 2411595, 2414459,
2414367, 2411732, 2415009.
Fax: 02 - 2413032.



You know where to turn

TOTAL



COMMITTEE ON POLICE REFORM

CALL FOR MEMORANDA

The Federal Government of Nigeria has set up a Committee on Police Reform. This Committee was inaugurated on Tuesday, January 17, 2006 by the Honourable Minister of Police Affairs, Alaowei Broderick Bozimo. The Committee is headed by Alhaji Muhammad Dan Madami (*Sain Katagum*) a retired Deputy Inspector-General of Police and has eleven (11) other members.

The Committee's terms of reference are:

TERMS OF REFERENCE:

The Committee is put together to do the following :-

- i. Review and/or recommend measures on the re-organization, administration and operations of the Nigeria Police Force, with a view to enhancing effectiveness and efficiency in its operations and service delivery;
- ii. Re-appraise existing strategies and measures of crime prevention and control, including the intelligence and investigative capabilities of the Force and make recommendations towards improvement;
- iii. Examine Force recruitment policy, equipment, scope and standard of training and other personnel development activities and make recommendations for the modern Nigeria Police.
- iv. Examine ways and means for enhancing remuneration and welfare package of the Police, including provision of adequate office and housing accommodation with a view to boosting morale of the officers and men.

- v. To ascertain the general and specific causes of the low public opinion and confidence in the police, particularly on corruption issues and proffer ways of restoring public trust in the institution;

vi. Examine the Provision of adequate logistic support for the Force (including transportation, investigation equipment e.g. fingerprint, communication equipment, ICT - information, communication and technology);

vii. Examine the issue of Community Policing and see how best it can be adapted and adopted in Nigeria; and

viii. To make any other recommendations for the improvement of the services of the Nigeria Police Force.

Interested members of the public, organizations and individuals are hereby requested to send in their memoranda bearing the terms of reference in mind. Their memoranda which must be in 12 copies and must be typed double-spaced and forwarded to the

**Secretary Committee on Police Reform,
Inspector-General of Police Secretariat,
Force Headquarters,
Louis Edet House,
Shehu Shagari Way,
Abuja.**

within two weeks from the date of this publication.

Signed:

Mr. Solomon E. Arase,
Deputy Commissioner of Police,
Secretary to the Committee



AHMADU BELLO UNIVERSITY, ZARIA-NIGERIA



Office of the Registrar and Secretary to Council

2005/2006 UME admission list

R/ACA/ADM/03
2006

January 20th

The following candidates have been offered provisional admission indicated against their names for the 2005/2006 Academic Session. They should report to their respective Faculties from Monday 30th January 2006 for registration. They should bring along with them the originals of their credentials to facilitate registration as follows:

1. Certificate/Statement of results.
2. JAMB result slips.
3. Local Government Indigene Certificate.
4. Birth Certificate/Declaration of age.
5. 6 No Passport Size-Photographs

In addition, all candidates should submit one each on-line scratch card of the examination bodies, which they wish to present statement of result or certificates for confirmation at the registration venues.

The registration period is from 30th January 2006 to 13th February 2006. Thereafter, lectures will commence immediately. Matriculation ceremony is tentatively fixed for 18th February 2006.

2005/2006 ADMISSIONS - UME (100-LEVEL)

JAMB No	Name	AFAC	ACOU				
52324194JD	>UKHTAR AOLARIBIGBE AKOS>LE	AD	PA	52980798GA	ABDULRAHAMAN TANKO SOBA HALIDU	LA	SH
52865642BE	AAFA BOSE BOLA BOR>	AR	EN	52361551FH	ABDULRAHMAN .M. FALALU	EV	AR
52366438ED	AARON HAM HARUNA	MD	NS	52979715BB	ABDULRAHMAN OMODELE	MD	MD
53068362EE	AARON KEFAS	AR	HS	52361275BC	ABDUL-RAHMAN YUNUSA	MD	MD
52367046GC	AARQN ADAMS	SC	BC	52983229EC	ABDULRASHID AHMED	AR	AH
52365307EB	AB>BAKAR UMAR GEGE	EG	EE	52362082BG	ABDULSALAM M.T UMAR	AD	BA
52145098AB	AB>ULLAHI M ZAHARADEEN ISYAKA	SC	GL	53268338GB	ABDURRAHMAN IMRAN AUDI	EG	EE
52983339AD	ABBAS SALEH MORIKI	AD	BA	52348389GE	ABEL PETER RUGASON	EG	ME
53000164GF	ABDALLAH HAJAYA HASSAN	EG	CV	52838652IG	ABIGAIL DAHIRU	LA	LA
52351422ID	ABDUL IBRAHIM	AD	PA	52396103JE	ABIODUN JAMES OLAYEMI	SC	GL
53209712HN	ABDUL MALIK >SAH	EG	ME	52936412DH	ABIODUN SALIU ADEYEMO	AR	EN
52843668HD	ABDUL MALIK YUSUF	SC	GL	52841614CH	ABIOLA IDIAT LAWAL	LA	LA
52981966EI	ABDULAFEEZ BUNYAMIN RAJI	LA	SH	52351695EA	ABIOLA OLAGBEMIRO DOPEMU	EG	EE
52408684IE	ABDULAHI IBRAHIM BAH	AD	AC	52874683FB	ABOI I JULIUS	SC	BC
52845258FG	ABDULAZEEZ ADAVIZE SADEEQ	LA	LA	52878453JA	ABOJE GODWIN OMOCHI	MD	NS
52383022FC	ABDULAZIZ IDRIS GATAWA	EG	CE	52349360GB	ABRAHAM KAZZAHYE> SALLAU	LA	LA
52372608GA	ABDULAZIZ SANI	EG	CE	52366157BD	ABRAHAM THOMAS	EG	CE
52096653DA	ABDULBASIT ISMAIL MUSA	LA	LA	52979254DG	ABUBAKAR ABDULLAHI	AD	AC
52983177AE	ABDULGANIYU HALIRU	EG	CE	52382088EB	ABUBAKAR ABDURRAHMAN ANAS	LA	LA
52182541JF	ABDULHAKEEM OKINOBANYI USMAN	MD	MD	52979262BC	ABUBAKAR AMINU	EV	AR
53027863JH	ABDULJALIL MODIBBO ABUBAKAR	EG	EE	53224580JE	ABUBAKAR DANLADI ABDULKARIM	AD	BA
52351683HG	ABDULKADIR YUSUF	EG	ME	52869820JA	ABUBAKAR GONI BUKAR	EV	AR
52334857BH	ABDULKADIRI RAJI	EG	CE	52975897BJ	ABUBAKAR HAMAADAMA	LA	SH
53382445FD	ABDULKAREEM UMAR	EG	EE	52363306DA	ABUBAKAR IBRAHIM	LA	SH
52194051JH	ABDULKARIM A IBRAHIM	LA	LA	52977856FJ	ABUBAKAR M GOGA	AD	PA
52978308GB	ABDULKARIM ISA	AD	BA	52360645FJ	ABUBAKAR MOHAMMED BUHARI	AR	HS
52378044EI	ABDULLAHI ABUBAKAR	EG	EE	53341729HI	ABUBAKAR MUSA ISA	MD	MD
52386250GI	ABDULLAHI ABUBAKAR BABA-ARI	EG	CE	52361166EI	ABUBAKAR MUSTAPHA ABUBAKAR	LA	SH
52803554DI	ABDULLAHI AKU	AD	PA	52980388CJ	ABUBAKAR SABITU	SS	EC
52349815FE	ABDULLAHI ALI HARDO	MD	MD	52388620DJ	ABUBAKAR SADIQ ABUBAKAR	MD	MD
52369763FJ	ABDULLAHI BALA KUNYA	EG	EE	52883796GG	ABUBAKAR SADIQ DANJUMA	LA	SH
52770979IE	ABDULLAHI HARUNAAD	BA		52886109BE	ABUBAKAR SADIQ SULEIMAN	MD	MD
52369755ID	ABDULLAHI HASHIMU	AR	AL	53002905IH	ABUBAKAR SAMAILA	AR	EN
53000464DI	ABDULLAHI MOHAMMED KABIR	LA	LA	52403249JD	ABUBAKAR SHUAIBU	LA	SH
52361259GA	ABDULLAHI MUSA NUHU	MD	MD	52386500JE	ABUBAKAR UMAR ABDULLAHI	EG	EE
53319113CG	ABDULLAHI SHEHU BAMALLI	EG	EE	52362318IE	ABUBAKAR USMAN	PH	PH
53001844GJ	ABDULMALIK A MOHAMMED.	MD	MD	52348557EF	ABUBAKAR YAHAYA	MD	MD
52362049BI	ABDULMALIK ALI	EG	EE	52348875GB	ABUBAKAR ZAIYANA DAHIRU	EG	EE
52362281AB	ABDULMALIK JAAFARU SULEIMAN	LA	LA	52363996JE	ABUSUFYAN MAHMOOD	EG	EE
52979137JG	ABDULMALIK MUHAMMED YUSUF	AD	AC	52353865CJ	ABUTUUDAVID	EG	CE
52982523CG	ABDULMUGITH MUHAMMAD	LA	SH	52181846EG	ADAJI EMMANUEL	MD	MD
52979265AD	ABDULMUMIN ENEYE ABDULKARIM	EG	EE	52386256FA	ADAM ABBAS MUSA	SC	GL
53323325JH	ABDUL-QADIR AHMAD SALIM	LA	LA	52285788HF	ADAMA MOHAMMED	SC	GL

2005/2006 UME ABU admission list

52355825GG	ADAMU ALMUSTAPHA	AR	HI	52946462FE	AMINU ALFA GUMMI	ED	IR
52362375BA	ADAMU BABAYE DAHIRU	AD	AC	52983018JD	AMINU BALA	EG	EE
53002032IH	ADAMU IBRAHIM	AR	HS	52388277AB	AMINU LAWAN GANA	PH	PH
53000893BC	ADAMU MUHAMMAD ABUBAKAR	AR	AL	53070526FB	AMINU MUHAMMED JABBI	AR	HS
52980120FH	ADAMU MUSA	EG	QS	52079039AC	AMINU MUHAMMED UMAR	MD	MD
52362050BF	ADAMU NUHU BABAJO	AD	BA	53265808IF	AMINU UMAR	EG	EE
53256410FC	ADAMU U MOHAMMAD	AD	AC	52978820JB	AMINU YUSUF	AR	HU
52978680BC	ADEMOLA DIMEJI KOLAWOLE	AR	EN	53024936FB	AMOS MATOH	SS	MM
52992285DE	ADEOYE ELIZABETH TQYIN	AD	AC	52992358AJ	AMOS TANKO	SC	BC
52320452GH	ADEYEMI DAMILOLA BOYLE	EG	ME	53266025BC	AMWE M YAKUBU	EG	WR
52980294CA	ADO ABDULSALAM	PH	PH	52979248FE	ANAS YAHAYA N	EG	EE
53144730FE	ADOLE WILLIAMS EDACHE	LA	LA	53267859ED	ANDONG FELIX ATAWAL	PH	PH
53268299IB	AGBENYEKU ARABA NSE->BONG	AD	BA	52362079CF	ANEE PAMELA ICHA	AR	EN
52871574GG	AGBESE PHILIP OTSE	EG	ME	52980142II	ANIETIE IWAT	EG	ME
52348507AB	AHMAD FAKI SANI	LA	LA	53261165EG	ANNAH DIGA PANYI	SS	IS
52378795CG	AHMAD MUHAMMAD LAMIN	AR	AL	52055312IH	ANTHONIA ONAMBU OTSOKWA	LA	LA
53249034GE	AHMAD UMAR DOGO	EG	CE	53304763AI	ANTHONY ANYEBE	EV	AR
52365014EH	AHMADU BADAMASI	EG	CE	52979198BA	ANTHONY ONYEKACHI ESCNU	EG	CE
53023597JB	AHMADU DAHIRU	MD	MD	53030572CB	AONDOAKAA HYACINTH G	EG	QS
52982981BA	AHMED ABUSUFYAN IBRAHIM	EG	EE	53321638BH	AREH ONYEKA CHRISTIAN	AD	PA
52369981IE	AHMED HAFIZ RINGIM	EV	AR	53106298BH	AREMU SHAKIRU OLAYINKA	MD	MD
53109986BB	AHMED MIJINYAWA ISMAILA	EG	EE	52982119HE	AROME OCHEJE	EG	CV
52383463IH	AHMED SULEIMAN	EG	EE	52976769CC	ASIBI CLEMENT JAHKWA	PH	PH
52387084II	AHMED TIJJANI MUSA	EG	EE	52362041EC	ASMA J SADA ZAKARI	MD	MD
52970463CF	AHMED UMAR	ED	IR	52367841AF	ASMAJ USMAN	PH	PH
53248426EF	AHMED YAKUBU GOMBE	LA	SH	52977019EI	ATIKU HABIBU	SC	GL
52352250CE	AISHA KABIR	LA	LA	52362068FI	ATTAHIRU ATTAHIRU MAIYAKI	EG	CE
52979303ID	AISHA LAWAL	SS	MM	52845628BD	AUGUSTINE IKENNA N'WOGWUGWU	AD	AC
52977654ID	AISHA SALAUDEEN	SS	MM	52979108G	AUGUSTINE IKENNA OBI	EG	EE
52977664FD	AISHA YAHAYA BENU	LA	LA	53022682CD	AUTAAJONATHAN NEHEMIAH	LA	LA
52181596CA	AISHA YAKUBU IBRAHIM	MD	MD	52376528DH	AUWAL SHUAIBU HAMZA	MD	MD
53002092AE	AISHAT ABUBAKAR ABDULLAH	EG	CE	53000457FJ	AUWAL ABBAS	AD	BA
52234725AE	AISHAT MOHAMMED ZAINAB	AD	BA	52970213GJ	AUWAL BELLO	MD	MD
52196929JG	AISHATU ABUBAKAR DANAZUMI	LA	LA	52373504II	AWMAL IYE NAGBE ELLAMS	AR	AH
52885304AE	AISHATU IDRIS MUHAMMAD	PH	PH	52801966EJ	AWALWACE CHIMA MANZO	MD	NS
52187487AB	AJA OGBONNIA OTI	AD	PA	52359105CD	AYADELE M OLAYORIJU	AD	AC
53266311DB	AJIK AMOS AJIK	EG	CV	53022558AH	AYEA ALI ADI	SS	EC
53267490ID	AKIBU PAKI IDRIS	LA	LA	53257045IH	BAEA F HENRY	AD	PA
53260807FD	AKINOLA SEGUN GABRI L	ED	CR	52803002EF	BAEAYO YAKUBU	LA	LA
53025164EG	AKINTUNDE AJENIFUJA	EG	ML	52361977EA	EADIYA ISA	LA	SH
52525054HH	ALADE AKEN	MD	MD	52351345CD	BALE SARGWAK STEVEN	AD	AC
52055937FF	ALADI BLESSING ONAJI	AD	PA	53267628FH	BALOGUN MOSES OJO	EG	CE
53385644FJ	ALAMEEN ABDULRAHMAN SULEIMAN	AG	AG	52868383DG	BARRA BITRUS AGYIGRA	LA	LA
52982765HG	ALHASSAN MUSA	EG	EE	53112377DC	BARNABAS C YANSHIYI	EG	ML
53309617CI	ALIY IDRIS ISMAIL	AD	PA	52977413BC	BASHIR ALIYU	MD	MD
52982942BC	ALIY USALIM LAWAL	EG	CV	53023034IB	BASHIR MOHAMMED CHALAWA	LA	LA
52979230BB	ALIYA ZAKARI MUHAMMAD	EG	QS	52980707GR	BASHIRU MUHAMMAD	EG	EE
52981006ED	ALIYU HASSAN TOM	LA	LA	52381266BD	BASIRA KANKIA LAWAL	PH	PH
52980321DG	ALIYU MUHAMMAD	EG	CV	52367293GF	BAYLA BARNABAS BULUS	AD	BA
52981369JD	ALIYU MUHAMMAD WADA	EG	EE	52381044EI	BECE AMOS YANDANG	AD	BA
53262864JA	AL-MASUD SHUAIBU DANLUSA	LA	SH	52801353AB	BELLO OGIO MUHAMMED	PH	PH
53263138II	AL-MAZKURA ARABI KAHAL	LA	LA	52379050GG	BELLO TESLIMV P	EG	EE
53248578HE	AL-MUSTAPHA IBRAHIM	LA	SH	52083112DB	BEMSHIMA M AKPER	EG	ME
52337520HJ	ALVAN SOKOKANYE GANA	LA	LA	53045628FF	BENEDICT BAMIDELE DAUDU	LA	LA
52283080FB	AMAL MAIMUNA SHAMAKI	PH	PH	52355194BJ	BENJAMIN EJE EGBODO	AR	EN
52978486BC	AMINA LADIDI GARBA	AR	EN	52367877JE	BENJAMIN IDOKO MAKOLO	AD	BA
52980987HF	AMINA ADAMU	PH	PH	52980190EB	BENJAMIN TOBA ALEMERU	AR	HS
52350661DI	AMINA BALARABE ABUBAKAR	LA	SH	523E2352CF	BILAL RADWAN HAJAIG	EG	CV
53263210CC	AMINA ISA SANI	MD	MD	53266724FD	BILAL YAKUBU	EG	ME
52982888JF	AMINA MUHAMMADU LAWAL BELLO	LA	LA	53139830BA	BILIKISU JUWAIKAT YUSUF	MD	MD
52980961FG	AMINA NUHU BAMALLI	LA	LA	52980682CA	BILKISU ADAMU	MD	MD
52977715JE	AMINU ABDULMUMIN	EG	EE	52359157GB	BILKISU BABA PATE	SC	BC
52979381ED	AMINU ADO	MD	MD	52376967HI	BILKISU HUSSAINI	SC	BC
53249053AH	AMINU AHMED BAKO	LA	LA	52186051EB	BILLY JOHN PATRICK	EV	FA

2005/2006 UME ABU admission list

52364521HB	BITRUS BULUSV Q	EG	EE	52350214CB	DAVID ODEH	AD	PA
52352282CF	BITRUS MIKAH	AD	PA	52367458IC	DAVID TISLOH DUNG	EV	FA
52975323JC	BL>S ING SARKI	AD	PA	52319729AF	DAVIDS OLUWASEYE AYODELE	EG	CE
52366262IG	BLESSING I ODOUWUE >	AD	PA	52356507FH	DEBORAH OBEKPA OMADA	AR	EN
52185062AB	BLESSING CHIMDINMA ACHUN>L>	PH	PH	52801444GD	DENEN DANIELS KAKI	SS	IS
52320215AC	BLESSING OYERONKE OYERINDE	LA	LA	52979740DD	DEREK S AMEDONU	EG	CV
53267166IF	BLESSING PRINELLA NDAKS	EV	FA	52978935CD	DOMINIC EBIALA ODEY	LA	LA
52354287CE	BLESSING SHAIBU	AR	EN	52359822AG	DOOHIN A JOSEPHSS	EC	
52872070DD	BONIFACE IORKUMBUR	LA	LA	52364008FI	DORA ONIZE ONIMOWO	MD	MD
52362421GG	BOSAN PAUL KAJANG	EG	ME	53256237IG	DOUGL> AMOS	SC	GL
53324131AH	BQSSAN SWANTA	LA	LA	52355800EE	EBOI CHATKAZAH EVELYN	AR	AH
53267455JB	BRISCA SAMUEL DAWAP	AR	EN	52979264AG	ECHEKWU DANIEL ECHEKWU	AG	AG
52978422BA	BUHARI ALIYU	LA	SH	53319823DA	EDWARD DAVID	SC	BC
53029339DE	BUHARI AMMANI LAWAL	MD	MD	52362974FG	ELIAS TADU CORNELIUS	MD	NS
52803725BA	BUKAR CHONGYIWORA YAKUBU	AD	BA	52977935BG	ELIJAH OJOCHOGU EKELE	AD	AC
52982159FB	BUKOLA AJIBOLA	AR	EN	52980467ID	ELIJAH OLUWASEUN OGUNSOLA	AG	AG
52361046CA	CATHERINE NENADI KAJANG	MD	HP	52370844BH	ELISHA REUBEN DANGPE	AD	AC
52979735EI	CHABEN YOHANNA IFRAMU	EV	AR	52354854GJ	ELIZABETH NYAPESI WARIKAM	EV	AR
52361948DA	CHARLES BAYAAN DOGO	SS	EC	53341856IF	ELIZABETH USIAGU	LA	LA
53025051JE	CHARLES DAVIDSON MUSA	AD	BA	52361366DA	EMMANUEL C ONUH	EG	CE
52366900BF	CHETA EDWARD AKANEGBU	EG	CE	52976945HG	EMMANUEL A ZINOM	EG	CE
53341718BE	CHIBADO BABA ALI	EG	ME	52980517DA	EMMANUEL ADEYI DONATUS	SC	GL
52970388FG	CHIBEGE DANJUMA LAWI	LA	LA	52369532HD	EMMANUEL DOGARA MUSA	EG	ML
52193923JD	CHIDOZIE MICHAEL CHIDUBE	EV	FA	52363664CD	EMMANUEL FEMI ABORISHADE	AD	PA
52583257GI	CHIKEZIE ADIELE	LA	LA	52355736EC	EMMANUEL GABRIEL SHQLA	LA	LA
53036353EB	CHINNAN BALA NWANSHAK	AD	BA	52351673AJ	EMMANUEL JESURUME IDUDA	EG	EE
52196615GI	CHINWE GERALDINE UZONDU	PH	PH	52356776CG	EMMANUEL MAIDA	AD	PA
52873518FE	CHRISTABEL OTELAHU EBERE	SC	BC	53261243AG	EMMANUEL MARKUS ATSEN	EG	ME
52458631BB	CHRISTIAN AKA UGWUANYI	EG	CE	52361136EB	EMMANUEL MICHAEL	EG	ME
52351929BH	CHRISTIANA NICHOLAS	EV	ID	52981254FA	EMMANUEL OBINNA AMOS	EV	FA
52978748AC	CHUKS NZEFILI	EG	EE	52980568HB	EMMANUEL OPUFOU	AD	BA
53021742DA	CHUKWU ICHELU CHUKWU	LA	LA	53025504JD	EMMANUEL OWODE CLEMENT	LA	LA
52470728JF	CHUKWUANUGO I IBETO	AD	PA	52366357JC	EMMANUEL TEDDY DANJUMA	AD	BA
52874020AD	CHUKWUDI SAMUEL SUNDAY	MD	MD	53321641AI	EMMANUEL TIMOTHY ANDERIFUN	LA	LA
53210821EJ	CHUKWUNALU NDUBISI	LA	LA	52351762DD	EMMANUEL TOPE OBASEYE	AD	BA
52982542GG	CYNTHIA JOHN GWAZAH	AD	BA	52359872FA	EMMANUEL YUNUSA GANA	AD	AC
52980139JH	CYPRIAN NOM	MD	MD	52354759GD	ENE MERCY AKOJI	EG	EE
52359836GB	CYRIL JOSEPH IGIAGU	AD	PA	53144212FG	ENE ROSEMARY EJEMBI	AD	AC
52847201EH	DAEREGO KINGSLEY MARTYNS	EG	CV	52366559GI	ENENCHE JACOB ODU	EV	FA
53068286HI	DAJONG SENGURUM SIMQN	AD	BA	52366594GA	EPHRAIM MATTHEW WAZIRI	EG	QS
53029340DB	DALHATU DALHATU HALLIRU	MD	MD	53302261EF	ERIC SUSWAM KPAMBER	EV	UR
52235024HH	DALONG SIMON DAKUM	MD	MD	53302365CE	ERIMA GRACE UDANYI	SC	BC
52366788GA	DAMIAN MAMMAN MALACHY	EG	ME	52194294EH	ESSON-DOM PATRICK KOTSO	SS	MM
53262564CA	DAMULAK AKILA SYLVANUS	MD	MD	52365864BJ	ESTHER MNEUTER ILIGH	SS	EC
52983056HG	DANBABA JONATHAN REKOT	EV	AR	53323851HB	ETTE ETE ENOBONG	LA	LA
52972033GI	DANBABA KPAWEMI	AD	PA	52351778IC	EVELYN YASHIM	AR	EN
52363192IB	DANGARA KENI VICTOR	AR	EN	52862010EG	EZEKIEL BIODUN PETER	EV	FA
52348904HB	DANIE> YUSUF F	AD	PA	53248631BC	EZEKIEL DANIEL	MD	MD
53324098AJ	DANIEL CHUKWUELOKA NRABALU	EG	ME	52366361IA	EZEKIEL OBOTU ONYEKE	PH	PH
53025566AE	DANIEL DANGANA	EG	EE	52354302HG	EZRA JATAU DANIEL	EG	QS
52894608CI	DANIEL G N SUNDAY	EG	ME	53341900FA	EZRA OJOCHENEMI AYEGBA	EG	CV
52341757HF	DANIEL I AGWOM AZI	EG	CE	52354188DA	FAITH BAWA ADAMU	SS	EC
52882903CJ	DANIEL NDAKUTA KOLO	EG	CV	52979122EE	FAITH OBANDE OGBU	AG	AG
53382325CF	DANIEL O ELIJAH	MD	NS	52363079DC	FAIZU A AHMED	AR	AH
53143057CJ	DANIEL QJODALE FRANCIS	MD	HP	52367248DI	FAKHRIYYA BEN-UMAR	EG	CE
53025828JB	DANIMOH ABDULSALAM BASHIR	EG	ME	52196255IB	FALMATA AJUS ABUBAKAR	LA	LA
52350666CD	DANJUMA AYUBA	SC	BC	53321929BH	FARIDA LAWAL RUMAH	LA	LA
52366350BG	DANJUMA CHARLES AZIENGE	EG	CE	52981306II	FARIDA AMINU YUSUF	AD	BA
52871600IF	DANLADI JEREMIAH DAN-AZ>>>	AD	AC	52388544HD	FARIDA SANI MOHAMMED	LA	LA
52366556HH	DAUDA DUNIYA	AD	BA	52361999HB	FARIDAH DANASABE ABDULLAHI	LA	LA
52981729IA	DAUDA MOHAMMED DANLAMI	AD	BA	52393041GF	FATAI OLATUNJI SHEHU	AD	AC
52341655JA	DAUYINA KILAU JONES	EG	ME	53000264FG	FATIMA ABDULLAHI DIKKO	PH	PH
52192655BH	DAVID IDOKO IKELEJI	EG	EE	52848068GF	FATIMA ADAMU	PH	PH
52979672ED	DAVID OCHE DQMINIC	EG	CE	52977340FF	FATIMA HASSAN	AR	EN

2005/2006 UME ABU admission list

52181597BH	FATIMA IBRAHIM	EG	EE	52351977GH	HARUNA KABIRU KASSIM	MD	MD
52364597DH	FATIMA NANA MUSA	SS	IS	52283107GH	HARUNA MAYAKI	EV	AR
53137328EH	FATIMA OYIZA MAIYAKI	LA	LA	53110868IB	HASSAN ILIYA DADI	MD	MD
52362003FJ	FATIMA UMAR	EV	BD	52837564FC	HASSAN ABUBAKAR KADALA	MD	MD
52388294EH	FATIMA YAHAYA MAHMOOD	SC	BC	52376650FJ	HASSAN ADO SABARI	EG	CE
52361993IJ	FATIMAH IBRAHIM SALEH	LA	LA	53023467JD	HASSAN BABANMAMU MOHAMMED	AD	BA
52373686CH	FAUZANA IBRAHIM	MD	MD	53023706FF	HASSAN MOHDS AJO	LA	SH
52978779AG	FAUZIYYA SANI MADAKI	AD	PA	53033488AD	HASSAN USMAN	LA	LA
52351496FF	FELICIA NWQ>U	SS	MM	52039863GI	HASSAN-MUSODIQ-ADEMOLA	EG	EE
52981595JE	FELIX AYUBA DANIEL	EG	QS	52361983CC	HAUWA AMAL BAMANGA	MD	MD
53372064FJ	FELIX ODE IQRZUA	AD	BA	52981430AH	HAUWA GARBA	AD	BA
52350269FA	FEMI KABIR GEGELE	SS	EC	52359449FI	HAUWAU A ABDULLAHI	AR	AL
53266660FB	FIDELIS JOHN AUVE	EG	CE	52979898EE	HAWWA ZUBAIDA DEWU	AR	EN
52354864DJ	FRANCES DOOSHIMA ACKUMBUR	AR	FR	53256551BH	HELEN KENIS	SS	MM
52848725DE	FRANCIS DANJUMA IDAKWO	EG	EE	52366953FA	HENRY ANDREW	EG	CE
52293242CD	FRANCIS ETULO ORAHII	EG	ME	52341293BC	HERBERT SIMON KHANTIQK	EG	ME
52787394BI	FRANCIS JOSEPH	MD	MD	52981298BF	HOPE OSEMEN EITOKPA	AD	AC
52364827CG	FRANK TIJANI MOMOH	EG	EE	52363212CB	HOSEA SUNDAY	AD	PA
52360213JE	FRIDAY AUDUUBAR>	AD	BA	52354254CG	HUSSAINA DAVID BOSSAN	AR	FR
52350632CI	FRIDAY TENE MAIDAWA	EG	EE	52350489GJ	HUSSAINI MUSA	EG	EE
52365823EF	FUNOM SAMSON KAS	AR	AH	52977562GI	HUSSAINI SANI	EG	CV
53324026DB	GABI USMAN GEORGE GAGA	EV	FA	53143029BG	IBRAH M O ALIYU	LA	LA
52350670BB	GABRIEL DAY> JATT>T	EG	CE	52878206FF	IBRAHEEM ABDULLAH TANKO	LA	LA
52981339IG	GABRIEL IHEANYI IJOMANTA	AD	AC	52234802GE	IBRAHIM EHULA ISAH	EG	CE
52980148HA	GABRIEL OJO ADIKWU	AD	BA	52367163AC	IBRAHIM HYERIJU MAMZA	EG	EE
53261513GJ	GABRIEL PRINKWAP DABUP	AD	AC	52370972CB	IBRAHIM A ALIYU	SC	BC
52268818GA	GABRIEL SUNDAY AYANLADE	EG	CE	52981706FC	IBRAHIM ABDULRAHEEM	AD	PA
52979144HF	GAIUS ISHAYA	EG	CE	53110376AF	IBRAHIM AHMAD YAYA	LA	LA
53264516IB	GALADIMA KAPARA EPHRAIM	EG	CE	52881293AJ	IBRAHIM ALHAJI USMAN	MD	MD
52181586FA	GAMANIEL ADATI JUBILEE	AR	EN	53001477AG	IBRAHIM B IBRAHIM	PH	PH
52373237BG	GARBA KASIM JAHUN	AR	AL	52983049JH	IBRAHIM BATURE MUSA	EG	CV
52374543HF	GAYA SADIQ KABIR	LA	LA	53300478FJ	IBRAHIM BAWA	LA	LA
52367170HI	GAYUS K WATCHMAN	EG	QS	52350680HI	IBRAHIM DAMINA	AD	PA
52351909HH	GAZALI MODIBBO	SC	BC	52364265GD	IBRAHIM DANKOFA HARUNA	LA	SH
52265857BJ	GBENGA GODNIN OSEKE	EG	CE	52357385EC	IBRAHIM DAUDA YAKUBU	AD	BA
53341971DB	GBOTEMI OYELEKE	EG	CE	53265735BD	IBRAHIM HABU SHINDAI	AD	BA
53260844DJ	GERSHON PAUL DACHIN	EV	FA	53110732AE	IBRAHIM I JIBORAHIM JIBO	LA	SH
53262430DE	GLORIA NAKOP YOHANNA	LA	LA	52181645GH	IBRAHIM ISMAILA	EG	CV
52364305EA	GODWIN MAGAJI S>OK S	AR	EN	52979467HG	IBRAHIM IZAH	EG	EE
52983283HE	GODWIN ROBERT AKAA	MD	HP	52978725HB	IBRAHIM JURIDO	MD	MD
53036430AE	GWANYA BITRUS ILIYA	EG	EE	52977386BE	IBRAHIM KWASAU	AD	AC
52977485AI	HABIB ABDULSALAM	AD	AC	52885316GF	IBRAHIM MUHAMMED GANA	EG	CV
52979306HE	HABIBA ISAH	LA	LA	52981510FI	IBRAHIM NAFIU	PH	PH
52373688CB	HABIBA SALAU	MD	MD	52349314AF	IBRAHIM QZQVEHE MAZAI	EG	EE
52992505FD	HABIBA USMAN KATAEREGI	AD	AC	53033317DB	IBRAHIM SALISU	EV	UR
52365754FI	HABILA IBRAHIM MATTHEW	PH	PH	52351908IA	IBRAHIM SHAIBU	LA	SH
52280942GD	HADIZA ABUBAKAR IDRISU	EG	CE	53025268CF	IBRAHIM SHOK	EG	EE
52864060AH	HADIZA MUHAMMED	PH	PH	52373558CD	IDOKO OFUNU	AR	EN
52354848IH	HADIZA MUSTAPHA	SS	EC	52357425BJ	IDRIS ABUBAKAR GARBA	AD	AC
52885278IC	HADIZA RIBADU SULEIMAN	PH	PH	52350852EH	IDRIS ADAVIRIKU MALIK	EG	ME
52354753IB	HADIZA SULEIMAN NUHU	LA	LA	52362372BJ	IDRIS BASHIR	EG	ME
52380405EG	HAFIZ MUKHTAR MUHAMMAD	PH	PH	53342104CA	IDRIS HAUW>	AR	AL
53185501FI	HAJARA Y SALIHU	LA	LA	52848425GB	IDRIS UMAR	EG	CE
52981606GB	HALIMA SULEIMAN	AD	BA	53001817FD	IHEAKAM FRANCIS UKACHUKWU	SC	BC
52362807HC	HALIMA BABATUNDE	PH	PH	53336961CG	IKECHUKWU UDOKWU	PH	PH
53027841GG	HALIMA DAURA MUHAMMAD	PH	PH	52351884FF	IMASA MAX WAZIRI	AD	BA
52192535IG	HALIMA SANI WABEKWA	LA	LA	52979021FG	IME FRIDAY MOH	EV	AR
53002843HJ	HAMISU IBRAHIM GUSAU	LA	LA	52359378HH	INNOCENT PETER AYEGBA	EG	ME
52330609FE	HAMMED S QLANREWaju	AR	EN	53036374HF	ISA ABDULLAHI BELLO	PH	PH
52363195HC	HAMZA JAAFAR ISHAQ	LA	LA	52802314HC	ISA ABUBAKAR	LA	LA
52350725EA	HAMZA USMAN SHAIBU	PH	PH	53034392AH	ISA DANTALA IDASHO	LA	LA
53110234ED	HANNATU MINGYI LAZARUS	LA	LA	52349746GH	ISA MUSA	EV	UR
52977210FH	HANNATU TSAFE IBRAHIM	LA	LA	52367157CA	ISAAC ALHASSAN	PH	PH
52971645GI	HARUNA BOLiyAT	AR	EN	52360114AD	ISAAC JOHN	LA	
52971645GI	HARUNA BOLiyAT	MD	MD	52363076DG	ISAAC MOSES DEWA	EG	ME

2005/2006 UME ABU admission list

52357046IJ	ISAAC MUSA YAKI	MD	MD	52978405GB	KIMAMATU MUSAA	AR	EN
53068140DB	ISAH USMAN	MD	MD	52351960CB	KIRIAM GANDU	LA	LA
53256446EE	ISHIYAKU AUWAL SULEIMAN	LA	SH	52980912AJ	KISHINI ANDREW	MD	MD
53256610DE	ISMAEEL MUSA YOLA	EG	CV	52980872DC	KAYDE ABDULRAUF JIMOH	AD	BA
52187631FE	ISMAIL MOHAMMED SHATA	SC	BC	52197341CE	KAYDE BOBBY ADEJUMO	AD	BA
53341961GB	ISMAIL AWAISU	LA	LA	52494525JG	KAYDE WILLIAMS IYOMO	MD	HP
52982826IH	ISMAIL MUHAMMED RAJI	AD	AC	53353118FF	KAZE MOYEWALE OYEWOP	SC	GL
53323703DA	ISMAIL RABIU MAIHADISI	EG	CV	52978170IH	KELECHI ONYEKACHI WEZE	MD	MD
52351918FA	ISMAIL USMAN SALEH	EG	CV	52798055EF	KELU ALI MUDA	SS	EC
52351342DC	ISMAIL ZAKARI	SC	BC	52716038AH	KEMEPA FRANCIS OPUSIGI	LA	LA
52517720GA	ISMAILA ADEUNBI ABEYEMI	AD	BA	52983247IF	KENNEDY NWAWE	EG	EE
53066948BI	ISTIFANUS DAUDA	MD	MD	52977892EI	KENNETH ONEKACHUKWU CHIKEZIE	AD	PA
52982290EG	JAAFARU A IBRAHIM	AD	BA	53000183AI	KHADIJAT NDA ABU	EV	UR
52380385AJ	JADEED YUSUF BAITA	EG	ME	52977557ID	KHALID MUSTAPHA	AR	AL
52847493EE	JAMES OJOCHENEMI MAMUDU	AD	BA	52980290DC	KHALILU SURAJU USMAN	EG	ME
53303944EA	JAMES TERKULA ADIA	MD	MD	52362060IC	KHAULAT ZUBAIF	PH	PH
52977770CG	JAMILA ADAMU	ED	IR	52367168IE	KHELLOCK SHINGI	LA	LA
52361112BG	JAMIYU OLANIRAN AMUSAT	EG	LD	52354780JH	KING FAHD UMAR	MD	MD
53300699HF	JEFFREY NUHU	SS	IS	52360646FG	KOLAWOLE STEPHEN IDWU	SC	BC
52357283FH	JEMIMAH SADDIH	AR	EN	52981958HC	KUMA GBANAN	MD	MD
52366342EA	JENOM DLOLO	EG	CV	52977748JC	KWOPNAN M GUTIP	LA	LA
52865750HI	JEREMIAH ANUOLUWAPO AREMU	EG	EE	52352407DI	LA RAIOMOLOLA GOMINA	SC	BC
52977566FG	JEROME O TQYIY	SC	GL	53143252CG	LAMIDI AGE ABDULFAT I	AR	HS
52226541BF	JESSE YILSEN LONGSE	EG	ME	53036405HJ	LANG AYUBA BATURE BO	AR	HS
52780552HH	JIMOH MAHE HALIRU	EG	CE	53330440JC	LARABA ANTHONIA OKOL	AR	EN
52976519JD	JIUNE SYLVANUS DAMDOS	LA	LA	52981751BE	LATEEFAH HANAFI MUST	AD	BA
52184281BG	JOHN ALBERT UDEH	AD	AC	52980240IF	LAWAL AISHAT	AR	EN
523611458E	JOHN EMMANUEL UTAJI	AD	BA	53001492FI	LAWALI SANI	AR	HS
53266814HE	JOHN JACOB YAKTAL	EV	FA	52873533AJ	LEONARD NGUTOR DUGGUH	EG	CV
52981028EJ	JOHN PAUL	SC	BC	52885445GG	LEONARD OJONIMI IDRIS	EV	FA
52364784FI	JOHN SHAIBU	AR	EN	52364685GE	LILIAN AMEN OSAWEMWENZE	EG	CE
52981758JA	JOHN DAVIS VERASHE DUE	EG	CV	53266523HE	LINDA MALCHIT COMBIN	LA	LA
52363710HJ	JOHNSON FAMUREWA	MD	HP	53265931AH	LONGJI SURA JOEL	EG	EE
52359998GA	JONAH A D SULEIMAN	SS	EC	52360571IH	LORETTA UNEKWUOJO ADAJI	PH	PH
52983263DH	JONATHAN KATCHIN SAMUEL	AR	EN	52982415FJ	LUCKY JACOB TABAT	PH	PH
52350711IC	JOSEPH EZRA YAHAYA	AR	EN	53264309CD	LUCY HEMBAFAN ADI	EG	EE
53264997JD	JOSEPH GABRIEL	PH	PH	52979058EC	LUCY LAMI AMLABU	AD	BA
52980307HI	JOSEPH HOSEA	EG	ME	52349739II	LUKA RABQ	AD	PA
53303349HJ	JOSEPH IDOKO	AD	PA	52359192FD	LUKMAN EL-HAKEEM HUSSAI	LA	LA
52351642AF	JOSEPH JNR ENAHORO EJUOMAH	EG	ME	52369962EE	LUKMAN KASSIM USMAN	AD	BA
53304611HG	JOSEPH OGWUCHE ONAH	MD	MD	53351520JG	LUKMON KOLAWOLE ADELEYE	AD	AC
52980384EB	JOSEPH OLU ASEUN ARIBIDO	EG	EE	52676976BH	M>CHAE MATHIAS U A Z	EG	ME
52846858AJ	JOSEPH ONOJA ABU	EG	CE	53267320BB	MAGANI VICTOR BIN	EG	CV
52354847JA	JOSHUA ALHAMDU LAYYAS	EG	ME	52365913GG	MAGDALINE NICKAF	EV	FA
52981539GI	JOSUAJA SAMUEL	AD	PA	53000165GC	MAHMOOD HAJAIG	EG	CV
52367100JE	JOSHUA TITUS YILLEN	EG	EE	53342013AC	MAHMOUD AHMED	EG	QS
52974757EE	JOSIAH AMOS BILLY	EG	CV	52977522JB	MAIMUNA ABUBAKAR	MD	MD
52367077GG	JOSIAH MARKUS TAMBINI	EV	UR	52187619JA	MAIMUNA YUSUF R	PH	PH
53262315II	JOY NIMMA AGBEM	AR	EN	52983092GF	MANASSEH ALAGADA	EV	AR
52982609FJ	JOSEPH MYEK DANBORNO	AR	EN	53025110BE	MANASSEH PAUL MAICHIKI	AD	PA
52982318FJ	JUDITH DEBORAH O ADOLE	AD	PA	52365674AH	MARGARET ODIJE ODE	AR	FR
53025405AC	JULIANA EKPE OMOGA	AD	PA	52979777BJ	MARIAM ONYI AHMED	EV	AR
53390346BI	JULIUS A JUNIOR	MD	MD	52194178AH	MARITHA OSHOLEMAH HAYI	SC	BC
52354164AF	JULIUS JAMES BAWA	AD	PA	52352054DA	MARY SOKOYEBOM EGBUNU	AR	EN
53024972EA	JULIUS JOHNN WAJI	EG	EE	52845163FA	MARYAM AHMED	LA	LA
52979485CC	JUSTINA USMAN	MD	NS	52982273JH	MARYAM ABDUL	LA	LA
52879769CC	KARSHIMASGYOH	EV	FA	52982304AE	MARYAM ABUBAKAK	AD	AC
52378775IG	KARURU JIBRIN ISAH	ED	IR	52354801DE	MARYAM IDRIS ABDULKADIR	LA	LA
53141464FF	KACHOLLOM NORAH MANGA	AR	EN	53268251DB	MARYAM OZIDU ABDUL	MD	MD
53025246JB	KAFAYAT J Y BASHIR	AD	AC	52883443FI	MARYAM USMAN	SC	BC
52472289GI	KALTO PAUL SIKAR KILYOFAS	EV	AR	53341657AD	MAS UD MUHAMMED	LA	LA
53028137FB	KAMILU MUHAMMAD HADI	EV	AR	52868898ED	MASHOUD MAHMUD	AD	AC
52348562DA	KAMORU AYQDELE GBADAMOSI	EG	CE	52833053AF	MATHEW TERKAA ADAA	AR	HS
52354181IJ	KANGA VICTOR DANIEL	AR	EN	52355421BH	MATHIAS ALFRED	AD	AC
52364079DJ	KAREEMAH OYERONKE OYENIRAN	AD	AC				

2005/2006 UME ABU admission list

52365738AJ	MATTHEW ABEJIRIN	EG	CE	52252494EH	MUHAMMADUL AWWAL ZUBAIR	EG	ME
53303411IH	MATTHEW IDOKO OJILE	EG	CV	52367362IE	MUHAMMED HARUNA ADAMU	EG	CV
52350053BJ	MATTHEW PETER	EG	ME	52352422JA	MUHAMMED DALHAT NAJIM	LA	LA
52992882IG	MAYBLESSING EKO UJATA	LA	LA	53266807JF	MUHAMMED R MUSA	AD	AC
53266117DB	MERCY CHEKUBE DANKARO	SS	EC	52365378CC	MUHAMMED SADIQ WANKA	LA	LA
52978199JH	MERCY ISHAKU ARRI	SC	CH	52864322JE	MUHAMMEDKABIR ALI	AD	AC
52365990CJ	MICAH BOGANIET MATHEW	MD	NS	52977731EG	MUHMED LAWAL ABUBAKAR	EG	CE
53030860DA	MICHAEL NINGIR	EV	UR	52296592GB	MUKHTAR BAKO ABDULLAHI	LA	LA
52979739DG	MICHAEL ADETUNJI ADEGBOYE	MD	MD	52368275GB	MUNIR IBRAHIM BALA	LA	SH
53263242CD	MICHAEL BWESAF GWANG	EG	CV	52361968GH	MURJAN MAGAJI INUWA	MD	MD
53146449DI	MICHAEL IDUH JOSEPH	EG	ME	52980373HE	MURTALA ABDULLAHI	PH	PH
52979951HJ	MICHEAL JOSEPH	SC	BC	53264264GB	MURTALA ADAM ABDULLAH	LA	SH
52368659HD	MIKE MONDAY OMO ELIMIMIAN	AR	EN	52978549BH	MURTALA IBRAHIM	AD	PA
53258433JE	MOBOLAJI AKEEM ABUBAKAR	LA	SH	53267771BG	MUSA GARBA	LA	LA
52977621IF	MOHAMMAD UMAR	LA	LA	52861504BC	MUSA OGIRI ADAMU	EV	AR
52364861CB	MOHAMMED ADAMU WUYO	AD	PA	52247687BF	MUSTAPHA MAINA	EG	CE
53340757IE	MOHAMMED BASHAR BABAYO	EG	CV	52979678CF	MUSTAPHA MUSA	MD	MD
52359620DA	MOHAMMED BELLO MOHAMMED	EG	CV	52979473FI	MUSTAPHA MUSA TUKUR	MD	MD
52197072FF	MOHAMMED MUSTAPHA	EG	ME	52846826AI	MUSTAPHA PAIKO ALIYU	AD	AC
52982482FC	MOHAMMED SALIHU	AD	BA	52982793IJ	MUSTAPHA UMAR MOHAMMAD	AR	AL
52351969JB	MOHAMMED SAMIR HAS>AN	EG	EE	52360595BF	MUYIDEEN OMOTAYO HAMZA	AD	AC
52366966BB	MOHAMMED SANI SHUAIBU	AD	BA	52366685HI	MUYIWA JQSEPH DAVID	EG	ME
52882365JB	MOHAMMED SULEIMAN GALADIMA	LA	LA	52883581DC	N DAN U S A M N D A N U S A	MD	MD
52979428JG	MOHAMMED TAHIR TANIMU	SS	EC	52184742II	NAFISA MUHAMMAD LAWAN	AD	AC
52351394HA	MOHAMMED TIJANI AHMED	MD	MD	53257452DA	NAFISATU ADAMU ALIYU	PH	PH
52497474HG	MOHAMMED UMAR FARUQ	AD	BA	52357516DH	NAFIU SHUAIBU MUHAMMAD	MD	MD
52355558JB	MOHAMMED V BALA	EG	CV	52196281AD	NAJAATU UMAR BALA	AR	EN
52377702AH	MOHAMMED YA.U SULEIMAN	AD	PA	53267076GE	NANRET JOEL ZUHUMBEN	MD	MD
52362327FH	MOHAMMED ZAHARADEEN	AD	BA	52341295AG	NANRIBET WETLE TYODEN	EG	CV
52362016CA	MOHAMMED-SADA-IBRAHIM	EG	CV	52526278JB	NAOMI GANA YAHAYA	AD	PA
52363109DJ	MOMOH O MUSA	MD	MD	52361994IG	NASIR TAHIR	EG	CV
52977344ED	MONGOL TAVERSHIMA IORCASE	AD	BA	52978826FJ	NASIRU MAJEH	EG	EE
522519024H	MONSURAT ADEKEMI ADEBAYO	AR	EN	52978400HG	NASIRU MAUDE	SC	BC
53139725DE	MONSURAT ADESHEWA SHEHU	PH	PH	52359545GB	NATHAN ELISHA AKAAS	EG	QS
53256373IA	MOROLAKE BOLAJI	AG	AG	52365060LD	NATHAN MARCUS	LA	LA
52271044HF	MOSES OKOO IKONG	EG	ME	52362108DC	NEBIANET LORETTA USAMI	LA	LA
53025539IF	MOSES AMEH ATODQ	EV	FA	53267949GE	NENNANG KEVIN	SS	EC
52354924FD	MOSES BARNABAS BONAT	MD	MD	53265787FB	NENYEN-BLESSING MANGNI	SS	EC
53149943DC	MOSES EBI MODUPE BARIKI	EV	FA	52350335EG	NEVILLE TQNAK HOSEA NNAT	AD	BA
52360002EI	MOSES SQJI OLADEJI	LA	LA	52357333AE	NGUAMO SUSAN NYITAR	AR	EN
53261381HH	MOSES YILBAAN DAFWANG	EG	CE	53140296GH	NIMFAK AUDU BITRUS	AD	BA
52351470DG	MOSHOO ADETQRQ ILIYASU	AD	BA	52363435DB	NIRYING SILAS BWANKWOT	EG	CE
52351724FA	MOSHOO OLADAYO OLAWUMI	EV	AR	52298580BE	NIYI TOYIN FATUKASI	AD	BA
52365536DD	MQNDAY MARKUS	EG	EE	52982518EB	NNAMDI OGBONNNYA CHUKS	AR	EN
52980026EI	MUAZU BUHARI MOHAMMED	AD	BA	52386926HH	NNAMDI ONUKA NDU	EG	CE
52361063GG	MUAZU JIBRIL MUAZU	SC	GL	52387237BH	NUHU MOHAMMED	MD	NS
52350753FD	MUAZU WANKA SADIQ	LA	SH	52981235BA	NUHU KALAT ISHAKU	AR	EN
53029326HD	MUBARAK BELLO AMINU	EG	CV	52360718DE	NURA ABUBAKAR	MD	MD
52348565CB	MUBARAK IBRAHIM ISAH	SS	EC	52946084CE	NURA MAIYADI IBRAHIM	PH	PH
52981527AH	MUBARAKATU ABUBAKAR DANRAKA	AD	BA	52352266HD	NURA MUSA	EG	EE
52371207JC	MUHAMMAD ABUBAKAR KANTI	AD	AC	53027910FD	NURADDEEN SALISU	PH	PH
52362248AD	MUHAMMAD AHMAD YERO	EG	CE	52980134BF	NURADDEEN USMAN	AD	AC
52181493DI	MUHAMMAD ALHASSAN FAWU	AD	BA	52978762FH	NURADEEN MUSA	AG	AG
52375911EF	MUHAMMAD ALIYU DUTSINMA	LA	LA	52184212CJ	NWAMDAI S JOHN NAYAGAWA	EV	ID
52365857EA	MUHAMMAD AMINU SHUAIBU	ED	IR	53265028JH	NWOFOR CHIKA MOSES	EG	ME
52977913GG	MUHAMMAD ATTAHIRU	MD	MD	52351783GH	NWUBUMA FRANK ADA	PH	PH
52363536BJ	MUHAMMAD BASHAR ALIYU	LA	LA	52366391IH	NYENI ABIGAIL GAJI	SS	IS
53248999HC	MUHAMMAD H ABDULKADIR	LA	SH	52862191IF	NZEKE EZEKIEL AWOM	LA	LA
52979588AE	MUHAMMAD ISA	AR	HS	52229488AB	OBIAGELI AGHA	AR	EN
52980851JF	MUHAMMAD ISA GAUDE	EG	QS	52703442GC	OCHUKO RAYMOND	EG	CE
52992100AH	MUHAMMAD MUHAMMAD ALHASSAN	EV	AR	52979983IA	ODION PETER UDEBHULU	EG	ME
52363353ID	MUHAMMAD NUHU	LA	LA	52979111HH	OIWODU EHOÇHE	AG	AG
53300121GD	MUHAMMAD SAGHIR CHADO	LA	SH	52364729CJ	OJONUGWA JOY ATAWODI	AR	EN
52357390CH	MUHAMMAD SHAMSUDDEEN YUSUF	MD	MD	53265595EF	OKA BLESSING AGADA	EG	CE
52380392IF	MUHAMMAD USMAN SHEHU	PH	PH				

2005/2006 UME ABU admission list

52848085BE	OKPANACHI PAUL OKPANACHI	AR	EN	53002977GF	SAHABI GARBA	LA	SH
52351976HA	OLALEKAN MICHAEL ONILEDE	AR	EN	52211241DE	SAHEED ADEWALE OLOYEDE	EG	CE
52042914DD	OLALEKAN MUTIU JIMOH KESHINRO	EG	CE	53029533DE	SAIDU ABUBAKAR SADAUKI	SC	CH
52941221GD	OLAMIDE TITILAYO OGUNLANA	AD	AC	52361728BB	SALAMATU BAKQ	AD	AC
52041834HC	OLAOLUWA SEYI DAWODU	EV	FA	52979312FG	SALAMATU YUSUF	MD	MD
52978000BF	OLARONKE R OLATUBOSUN	AR	FR	52502054BD	SALAMOTU BOLANLE ISA Q	SC	GL
52402595BI	OLAYINKA JOHN AJAO	EG	CE	52362059IF	SALIHA SARKIN PAWA	SS	IS
53382324CI	OLORUNTOBA ADEWALE KOREDE	SS	EC	52188740CF	SALIHU ABDULRAZAK	ED	MT
52184681HH	OLUBUNMI DANIEL MELEFA	EV	FA	53029385JA	SALIM ILIYAS>S	PH	PH
52361132FD	OLUGBENGHAH SSB>LOGUNN	AD	PA	52183092JB	SALISU BARAU SALISU	LA	SH
52977584AC	OLUSHOLA DANIELLA DADA	LA	LA	52780598DG	SALMANU GARBA	SS	MM
52827252EF	OLUSHOLA OLUDELE DADA	SS	EC	52978967CE	SALOME TAMBIIYI TIMOTHY	SC	BC
53135606HC	OLUSOLA OLAKUNLE OJO	AR	EN	52356715BF	SAMAILA HASSAN	EG	CE
52413703GC	OLUWASEGUN MICHAEL OGUNMOYERO	EG	ME	52361984BJ	SAMAILA TAIDI NDAGI	EG	EE
52355382DH	OMACHOKO ABRAHAM DAVID	AD	AC	52982409HH	SAMBA RANDOLPH PAUL	MD	MD
52357539GF	OMEIZA ABDULHAKIM ALIYU	EG	CV	52979235JD	SAMBO YABO GEORGE	EG	ME
52528771IB	OMOHORO JOSEPH AKEKE	EG	ME	53003314CE	SAMIRA T SONI	AD	PA
52874084AF	ONYECHE EDOH	EG	CE	52979771DH	SAMIRAH A HARUNA	AD	BA
53142934BA	OREMEYI AKANDE JACOB	PH	PH	52341500HA	SAMSON OLALEKAN OLANIYI	EG	ME
52187557IC	OSCAR OFORDILE ODEIGAH	EG	ME	52873298DF	SAMUEL AHIJOHEOBE IGWUE	EG	CV
52361952BI	OSINANNA NNAKILE ONWUAMA	EV	AR	52366535ED	SAMUEL BITRUS BISAN	AD	PA
52980284FA	OSMAN BABA MAKWAH	EV	AR	53256772DD	SAMUEL ELIAS THOMAS	LA	LA
53301885AJ	OVYE JOHN AKYENGO	EG	CV	52362137EF	SAMUEL YAHAYA HAMMAN	EV	FA
52190895FJ	OWULO JOHN ONAH	LA	LA	53301242JF	SANGI TARO SANGI	MD	MD
52975355JD	PATIENCE JOSEPH	SC	GL	52360521ED	SANI AHMAD MAIDALA	EG	CV
52380587IC	PATIENCE OJIMA ABDUL	EG	QS	53027920CD	SANI DAHIRU ABDULLAHI	AR	AL
52979340GJ	PATIENCE OZOEMENE ASOGWA	SC	CH	52028558DD	SANI HABIBU	LA	LA
52980898FB	PATRICK A JOHN	EG	ME	53348231GJ	SANI I>AH	AD	PA
52381347DD	PATRICK OKECHUKWU MBATA	LA	LA	52977647AH	SANI MURTALA	AD	BA
52883705EI	PATRICK YAHAYA JOHN	AD	PA	53266966AG	SANI RABIU	LA	LA
52438454BE	PAUL OFOWOICHO PETER	EG	CE	53341680DB	SANI T SHU.AIBU	AD	BA
53025421FB	PAUL UGWU M >	AD	BA	52355358BC	SARAFADEEN OLATUNDE OLEKANMI	SC	GL
53021748BC	PENTECOST OBADIAH INASHI	MD	MD	52349876GF	SARAH KAJERE PETERS	LA	LA
53300686BH	PETER ADESQJI ADENIRAN	SS	EC	52977908JH	SEGUN SERE	AD	AC
52775582EJ	PETER EHIZUENLEN E	AR	FR	52855118GB	SELINAS ENEIRE ALIYU	AR	FR
52341350DF	PETER N.A. AKINNUSI	EG	ME	52357223ED	SHADRACH A ADAMU	MD	MD
53144230AC	PETER OJONUGWA MOMOH	AD	PA	53322079FC	SHAIBU AHMED	EG	EE
52360226FF	PETER ONUCHE OMALE	EG	CE	52979082GH	SHAKIRU K AFOLABI KAREEM	AR	AL
52982667HJ	PETER SUNDAY AYUBA	EG	EE	52982968EJ	SHARIFF USMAN MOHAMMED	LA	LA
52132754HG	POLAM REBECCA SAMUEL	EG	CE	52349795BH	SHEFIU OPEYEMI IBRAHIM	EG	EE
52189114GH	PONMWA RINDAP	EV	FA	52885276II	SHEHU AISHA HUSSAINA	LA	LA
52026773FD	QLAWALE DAMILARE TINUOYE	EG	CE	52366751HE	SHEHU SULEIMAN	AD	PA
52979270IF	QSEIZA EZEKIEL AMADU	EG	CE	52977964CG	SHEHU TIJJANI BABAJO	EV	AR
52981786AG	RABIU HARHNA IDRIS	AR	HS	52360270CA	SHEKWODUZA SHEHU SARKI	AD	PA
52386414GB	RAMLAH FAROUK MOHAMMED	MD	MD	52363050CC	SHERMANG SAMUEL FRANCIS	AR	HS
52355289CF	RANDOLPH OSIVUE ODEKHE	EG	ME	52355725HF	SHUAIBU SALIHU	SS	EC
53300995GA	RANDY SHAMAKI ADAMU	EG	ME	52362019BB	SHUKRIYYA ISMAIL DIKKO	LA	LA
52257031BG	RAPHAEL OBAR>NBI IBITOYEK	LA	LA	52360335BJ	SILIRANDA DANIEL MANGA	MD	MD
52979060DG	RASHEEDAH YAHAYA CHINDAYA	LA	LA	52354248EE	SIMON PAUL ABAH	AD	PA
52881527ID	RICHARD C ANEKE	LA	LA	52859250IB	SIMQN DANIEL ADAGADZU	EV	UR
53024959HJ	RICHIO ANDREW	LA	LA	53001914FD	SIRAJO BELLO GUSAU	ED	IR
53142280DC	RODNEY DANIEL YUSUPH	EV	ID	53053709GC	SOLOMON ADEGAHI EDE	EV	FA
52977611BI	RUKAYYA JAAFAR SHEHU	MD	NS	52879422JD	SOLOMON BATHOLOMEW EDEH	MD	MD
52350283AI	RUKAYYATU USMAN	PH	PH	53142402FE	SOLOMON JOSEPH DEKAH	SS	EC
52979939BI	RUUKAYYAH UMMI AHMED	LA	LA	52355682BA	SOLOMON KINU	SS	EC
52979658IF	RUTH AIYEJUMO	AR	EN	52982600IG	SOLOMON ONUCHE	AD	BA
52545024BG	SA ADATU MAMUDU SALLEY	SS	EC	52977831DH	STANLEY IGHODARO	MD	MD
52364430FD	SAADATU ISA SALIHU	PH	PH	52194018AC	STANLEY ODE IJI	LA	LA
53248510IE	SADIQ ABUBAKAR MAIKOBI	LA	LA	52885723AI	STEFAN CHEGA SANDE	EG	ME
52352397GI	SADIQ HAMZA KAROFI	SC	GL	52971566BE	STEPHEN ANOYE BINOS	EV	FA
52869541FE	SADIQ ZAKKA	LA	LA	53306397FD	STEPHEN TERKIMBI ICHULL	EG	CE
52335335DI	SAEED BELLO	LA	SH	52355357BF	SULAIMAN ABDULHAKHEEM	LA	SH
52861161HB	SAFAT DAVID YIGA	LA	LA	52498481GC	SULAIMAN SALIHU	EG	CE
53248878EH	SAFIYANU SANI ABUBAKAR	AD	BA	52360628BD	SULAIMAN YUNUSA ZUBAIRU	AR	AL
53002089BD	SAGIR IBRAHIM JINJIRI	EV	AR				

2005/2006 UME ABU admission list

51111518DJ	AESE AGAIGBE	AD	BA	51017857BD	BITRUS KICHIME BULUS	ED	AE
51017927JE	AGNES EBUNOLUWA ADESHINA	ED	CR	51017950CF	BOLANLE GLORIA OLANIYI	ED	MT
51017661BJ	AHMAD TIJJANI AMINU	ED	LS	51142659CH	BOSEDE SENUWA	ED	MT
51143731BC	AHMED ALHASSAN TAHIRU	ED	IR	51017813EI	BUHARI BELLO	ED	BE
51141932HE	AHMED BAWA MOHAMMED	ED	LS	51143210CD	CHAT BATURE	ED	BE
51029115JC	AHMED KAYODE SULYMAN	AD	AC	51113281IF	CHIBUEZE EARNEST EMETOLE	MD	MD
51096079IH	AHMED MOHAMMED HABIB	ED	MT	51072807GD	CHIDIOGO AKUANATA EFIFIE	SS	PS
51016379IC	AHMED MUSTAPHA MOHAMMED	AD	PA	51141724BJ	CHRISTIANA ABISHAG ADAMU	ED	PY
51016435BB	AISHA JIBRIN GOMA	ED	IR	51016201DE	CHRISTIANA JOY MADUBUIKE	ED	PE
51144157JC	AISHATU LAWAL	ED	IR	51037690HC	COMFORT EDOGBO PAUL	ED	CR
51016378IF	AISHATU SALIHU	ED	MT	51017654EA	COMFORT ELOGUN	ED	CR
51141415HD	AISHATU ISMAIL	ED	IR	51150613CH	DAHIRU ALIYU	ED	AE
51037364IA	AISHATU MOHAMMED MAJE	ED	MT	51142865II	DALHATU ADAMU	LA	LA
51114222HF	AJEGENA IBRO KUJE	SS	PS	51115356GI	DAMALAK DEKOM SAMUEL	SS	PS
51115276BH	AKILA CHANCHIN DAPUL	ED	HE	51139140BB	DANJUMA JOEL IBRAHIM	ED	PE
51109258CJ	ALABI OCHU ABDULRAHEEM	EG	CE	51111188FJ	DAUDA BAKARI	ED	AE
51117301FD	ALAMI GLORIA UNUBI	ED	AE	51143043DJ	DAUDA BASSEY ZOMI	SS	MM
51085282IA	ALI MURTALA OLATUNJI	SC	BC	51113851CE	DAUDA TAWAL SALE	ED	BE
51037876JG	ALICE MAMMAN	ED	LS	51072171DB	DAVID C UBA	SC	BC
51142512IA	ALIYU ABDULMUMEEN SHUGABA	SS	EC	51017984CA	DEBORAH ADAMU NDAKS	ED	LS
51096764GJ	ALIYU ABUBAKAR MUSA	SS	EC	51138907DB	DENNIS GHOMAS	SS	SG
51067033CC	ALIYU MOHAMMED	ED	PE	51141763JG	DILK DAVDU MUSA	AD	BA
51037788GJ	ALIYU SULEIMAN ALIYU	ED	MT	51094727GJ	DONALD FRANCIS MAIMAGANI	SS	PS
51074741IB	ALIYU YAHAYA ENEJI	MD	MD	51112948BH	DUHUNSOHOT MOSES DABANG	ED	PE
51142554FB	ALTINE AHMED	ED	GS	51142667AD	EDWARD EMMANUEAL KULIYAK	ED	PY
51019111DE	AMADU IBRAHIM	ED	AE	51095985HI	EKPOFFIONG MUREEN EMMANUEL	ED	AE
51017648FI	AMINA ABDULLAHI	MD	NS	51120995CJ	ELIAS UBAH UNAZI	MD	MD
51143188IJ	AMINA MOHAMMED	AR	HU	51142286HJ	ELIYA BISHIO	ED	AE
51017591DF	AMINA SULEIMAN	AR	HU	51028062FA	EMMANUEL IDUH	AD	AC
51017915DD	AMINA OZA JIMOH	ED	LS	51017619EI	EMMANUEL OLANIYI BABARINDE	ED	MT
51141496CE	AMINA S SALEH	ED	LS	51046837IC	ENEJI DANIEL OMANANYI	MD	NS
51017579HB	AMINU ALIYU	ED	AE	51017710GG	ENITAN OLUSHOLA ISAH	ED	BL
51145646IH	AMINU MUHAMMAD ISA	ED	IR	51016309AB	ESTHER EDEM	ED	HE
51072288GI	AMOS GABRIEL	ED	BE	51076813HD	ESTHER ODUH	ED	BE
51112350GF	AMOS PHILEMON	ED	AE	51016306BA	ETEMA ELIZABETH OCHIGBO	ED	LS
51015226EJ	AMOS NGBEDE ATUNGWU	SS	PS	51073127HD	EUNICE DOOM SAR	ED	BE
51096527AE	ANAS GARBA MUHAMMAD	ED	GS	51145017DE	FATIMA AHMED	ED	IR
51141575HI	ANDE DANIEL	SS	SG	51143545IF	FATIMA MOHAMMED	ED	BE
51111263CI	ANDRE STANISLAS SOKO YANG	MD	MD	51037397HI	FELICIA BAKO MAYAKI	ED	MT
51017504AF	ANGELA MURNA DAMINA	ED	GS	51141881DD	FIDELIS AYO	ED	MT
51126383GE	ANIEBIET FRIDAY UDOETTE	AD	PA	51017590DI	FLORENCE OJENIYI	ED	CR
51141517FI	ARIYO AMPITAN	ED	AE	51111170BG	FRANCIS BAMANGA	ED	LS
51077176FB	ASMA'U ABUBAKAR UMAR	ED	IR	51116080DA	FRANCIS LUKA DAVWANG	AR	HS
51073660CG	ATTAH AKWASHIKI	ED	LS	51016271BI	FUNMILADE BELLO	ED	LS
51113185IC	AUGUSTINE MATHIAS	ED	AE	51143041EF	G. YUNUSA MUSA	ED	IR
51017507JD	AUWAL YUSUF	AD	BA	51028744EB	GABREIL MONDAY ONI	SS	PS
51142474JH	AUWAL BALA USMAN SHANONO	MD	MD	51142861AD	GABRIEL HENRY	ED	GS
51150933DH	AUWALU BASHARI	ED	GS	51142696BD	GAMBO SUNDAY ACHI	EG	CV
51151270JD	AUWALU MUSA YOLA	AR	HU	51097978BG	GARBA HABU SALEH	SS	PS
51142293FI	AYODELE DAVID IBINNAIYE	EG	CE	51132046FA	GAWIRNAN ELDON	ED	CR
51069641FF	AYODELE ISAAC OKEOWO	EV	FA	51028686CB	GBAJE BAGUDU MOHAMMED	ED	MT
51142789CF	AYUBA BELLO MOHAMMED	ED	LS	51077415BD	GODWIN VAMBE	AR	EN
51038130BD	BAKO MUHAMMAD ALIYU	AR	AL	51142900IA	GRACE TALATU JOSEPH	ED	BL
51116834JG	BALA ADAMU	ED	PE	51113126GF	GUNGRET YOILA NEPLE	AR	EN
51094471GB	BALA MUHAMMAD GARBA	ED	MT	51036821GA	GYEYOCK JAMES	ED	AE
51143044DG	BALARABE AYUBA SAMAILA	MD	NS	51142162GD	GYEYOK ROSELINE GANDU	ED	LS
51142140DC	BARIYAKA'AT DAUDA JOSEPH	ED	GS	51142322GI	HABILA SANI	SC	MT
51150915JB	BARTHOLOMEW C MMADU	ED	BL	51116369DG	HAFIZ UMAR	ED	LS
51017502BB	BASHIR ABDULHAMID RABIU	ED	AE	51141432CC	HAFIZU USMAN IBRAHIM	AR	AL
51096737FD	BASHIR SHEHU ABDULLAHI	SS	MM	51116285JE	HAJARA IBRAHIM ALIYU	ED	HE
51112490DD	BATURE PATRICK SOLOMON	AD	PA	51134490JA	HAKHEEM TAIWO L LAWAL	EG	ME
51077302GB	BELLO MOHAMMED SALIHU	EG	CV	51017564BJ	HALIMAT ISSA	ED	PE
51141503AD	BILKISU A ADAMU	ED	LS	51038151EH	HAMZA SHAFIU	AR	AL
51016361DJ	BINTA IBRAHIM	ED	BL	51142168EF	HARUNA ZAWAN MOHAMMED	AD	PA
51017644HA	BINTA ABDULLAHI	ED	LS	51037315DD	HASIYA MOHAMMED ABDULLAHI	ED	IR

2005/2006 UME ABU admission list

51017878EH	HASSANA G. HASSAN	ED	IR	51116709ID	KALLAMU IBRAHIM MOHAMMED	ED	IR
51077454JA	HAUSAWA SARKIN RIDWANULLAHI	AR	HS	51142583GB	KALTUME ALIYU	ED	HE
51028883BC	HAZRAT MAIMUNAT MUSA	ED	BE	51144280BE	KAMALDEEN T YUSUF	EG	EE
51037411DG	HIDAYAT SULEIMAN	ED	LS	51151571GD	KAMALUDEEN SALISU	MD	MD
51103653GD	HUSSEINI WAKILI	MD	NS	51112921AB	KASSIM MUSA DOGUWA	ED	AE
51142924AI	HUZAIFA HUSSAINI	ED	GS	51143438BI	KAZEEM ABDULWAHAB	ED	MT
51016494CI	IBRAHIM BALA	ED	BE	51111242JB	KINRIMAN KEFAS ISTIFANUS	ED	CR
51091643AJ	IBRAHIM ABDUL ABDUSALAMI	LA	LA	51140699IH	KOLADE AKINDANJO OYEBOLA	AD	AC
51017582GC	IBRAHIM ADAMU	ED	MT	51113578GH	KORBYER MAZADU DHSPAN	AD	BA
51103273DJ	IBRAHIM ADAMU DANJUMA	ED	PE	51113713FA	LAGAN LAGAN JAMES	LA	LA
51141725BG	IBRAHIM AHMAD	AR	AL	51074341CA	LARAI SHUAIBU MOHAMMED	ED	LS
51141791BC	IBRAHIM ALIYU	AR	AL	51037672CJ	LATIFATU JA'AFARU ADAMS	ED	LS
51077368FH	IBRAHIM DANTANI MOHAMMED	ED	PE	51028517ED	LAURETTA EBERE DURUJI	MD	NS
51150825HA	IBRAHIM DIRANI ABUBAKAR	AD	BA	51153303AI	LAWAL ABUBAKAR	ED	LS
51016363DD	IBRAHIM MAHMUDO YAHAYA	ED	IR	51073563CG	LAWAL TANKO	AD	BA
51017842FI	IBRAHIM MUSA	AR	HU	51019095IC	LAWAL A BISHIR	ED	MT
51113399CC	IBRAHIM RETSAT SHOCKDEN	SS	MM	51113606IA	LINDA SWANYIN KAHU	ED	BE
51018000GJ	IBRAHIM SHEHU	ED	IR	51113056IB	LONGJI JACOB WALSHAK	ED	PE
51161319BG	IBRAHIMN BAWA TANKO	ED	AE	51036513BE	LUKMAN MUDASUR ATOYEBI	EG	LD
51141986AJ	IBUKUNOLUWA OGUNSOLA	ED	BE	51112831HH	LUKMAN MUHAMMAD ABDULAZIZ	MD	MD
51037700EC	IDRIS ABUBAKAR ABBAS	ED	BE	51084674GB	LYDIA DANIEL	MD	MD
51142136EE	IDRIS ADAYARKI MARIK	EG	ME	51141377JA	LYDIA HUMMIH SHUAIBU	ED	BE
51095815AG	IDRIS ALHAJI ZUBAIRU	MD	NS	51047247BG	MADINA FOLASHADE SANI	SC	CS
51150659ID	IDRIS SALE BABAN-MUTUM	ED	IR	51142678GH	MAGAJI BAHAGO	ED	LS
51143184AE	IDRIS UMAR	EG	CV	51115905HA	MAICHIBI SYLVESTER PYELSHAK	ED	MT
51112757AI	IDRISS ABDULLAHI	ED	MT	51017505AC	MAIMUNA LAWAL	ED	MT
51117523GG	IGE SALAMI	MD	HA	51142658DA	MAIMUNATU JUNAIDU SULEIMAN	AR	AL
51073217JE	ISAAC OSEBIQUEN ALASOKA	AD	AC	51077609BD	MAIMUNATU MOHAMMED SHAFIU	ED	IR
51103229HE	ISAAC PATE MOHAMMED	ED	CH	51106276FB	MAMMAN DAUDA	ED	IR
51047029II	ISAH ABDULRAZAK ADAMU	PH	PH	51130658ED	MANASSEH ANYAKU	SS	EC
51141731JF	ISAH ABUBAKAR BELLO	AR	AL	51094584BD	MANNIR ALHASSAN ABDULAMUMIN	ED	AE
51073199FB	ISAH ALIYU	SC	MT	51016387FI	MANSURAT OYEDUNTAN BUSARI	ED	BE
51049678JF	ISHAK AHMAD HADEJIA	AR	AL	51145986DH	MARK PETER AJEH	SS	PS
51017565BG	ISYAKU DALHATU	ED	LS	51131606BC	MARKUS L TIMOTHY	ED	CR
51116322IA	JAMILU MUHAMMED	ED	AE	51072457EG	MARTHA EJILE OCHEJA	ED	MT
51028721BD	JAMIU MUSA	SS	EC	51016319GI	MARYAM SALISU	ED	IR
51113057HI	JANET DALLE SU'AN	AR	HU	51044905FI	MATHEW EKELE GABRIEL	ED	MT
51016398CF	JAPHET TER NZUGHUL	ED	AE	51017707HF	MATINA AMODU	ED	CR
51141662BB	JENKINS TEEDANGS MANASSEH	EG	EE	51143132GD	MAZADU ABDULLAHI SAIFULLAHI	AD	AC
51042741FB	JEREMIAH JUTA	ED	BE	51114083AH	MENWAN STEPHEN OGAK	AR	EN
51037692GG	JEREMIAH YUNUSA EDIBO	ED	LS	51142665AJ	MERCY OKWUCHUKWU OKELU	ED	HE
51142292GB	JIBRIL ISHAQ	ED	IR	51139151HF	MICAH AUDU JOHN	AD	BA
51142629CA	JOEL EMMANUEL	ED	BE	51049819GA	MICHAEL TEMITOPE AKINLEYE	SC	MC
51139180IF	JOHN OBAKO ESHIYA	AD	AC	51069671GC	MICHAEL NDALAYI SHIAKA	MD	NS
51113449GG	JOHN-PAUL RASAQ DARWANG	EG	CV	51127443IF	MIYENNE ROSE DAKOLO	MD	NS
51112798HJ	JONATHAN TAMBBAYA YANGO	ED	AE	51103426GF	MOAHMMED ABUBAKAR	SS	PS
51076976GJ	JOSEPH CHUKWUDI NNAJI	SC	GL	51016488EG	MODUPE EUNICE GBAYI	ED	MT
51141828JF	JOSEPH MAJIYEBO TIMAYI	ED	MT	51151304II	MOHAMMAD IBRAHIM MOHAMMAD	PH	PH
51117676JC	JOSEPH ZARO IKUWAIYE	EV	FA	51142694BJ	MOHAMMED ABDULLAHI	LA	LA
51039478ED	JOSEPHINE ADA IDOKO	ED	AE	51000125FD	MOHAMMED ABUBAKAR	AD	BA
51143187JC	JOSEPHINE TANKO KANKANA	ED	LS	51017560DB	MOHAMMED BASHIR	ED	MT
51085101EB	JOSHUA ISA HABU	ED	LS	51109153FD	MOHAMMED YUNUS	AR	AL
51037392JD	JOY ALFRED KURTONG	ED	LS	51138526BA	MOHAMMED YUNUSA	ED	BE
51036403FD	JOYCE IDOGWU	ED	CH	51139210JC	MOHAMMED ABBA IBRAHIM	ED	BE
51143670AB	JUDITH NGODOO KOR	ED	LS	51103289IF	MOHAMMED ABIBAKAR KUMO	MD	MD
51112792JH	JUDITH SUNDAY MALAN	ED	LS	51043192FG	MOHAMMED AHMAD	ED	IR
51111399AI	JULIA JUVOH	ED	AE	51142824BH	MOHAMMED AMIN ILIYASU	ED	IR
51112982BC	JULIANA JOHN DUKUP	ED	HE	51037714JH	MOHAMMED BALA UMAR	ED	PY
51143572AE	JULIET BENARD	ED	LS	51038182FB	MOHAMMED ISMA'ILA MUSA	ED	AE
51120636DJ	JUSTICE CHINDAH OHAKA	MD	MD	51017639IF	MOHAMMED OYOKO SALIHU	SC	CS
51042754BC	JUSTINA HANNATU JOSEPH	ED	HE	51142549GG	MOHAMMED P IDOKO	SS	SG
51026671IJ	KAANEN GIDEON BOGBENDA	EV	FA	51113965HA	MOHAMMED RABIU BUKAR	PH	PH
51038152EE	KABIR ABU	SC	CS	51103518IA	MOHAMMED SALIHU	ED	MT
51085305BB	KADILI SANNI	EV	FA	51117668BJ	MOSES EMAKOJI	EG	LD
51145629EB	KAFILAT MIFTAHU	ED	HE	51143254IF	MOSHOOD ABUBAKAR ALAO	EG	CE

2005/2006 UME ABU admission list

51143048CF	MUAWIYA HALIDU	MD	MD	51037625HD	PAUL OMOKATE EJAMAH	ED	LS
51028611FC	MUHAMMAD ABDULLAHI	ED	IR	51141956AC	PETER AUGUSTINE	ED	MT
51028610FF	MUHAMMAD AMINU UMAR	SC	CS	51112525CF	PETER JAN NENDANGTOR	ED	CH
51142412IJ	MUHAMMAD AWWAL ABDULKADIR	ED	IR	51137415EF	PETER OBAJE ITODO	ED	LS
51142657DD	MUHAMMAD WASILA GIDADO	ED	LS	51048170GA	PHILOMINA ONYEMOWO INWEH	SS	SG
51049712JA	MUHAMMAN MUKTAR	AR	HU	51017652EG	PRINCELY OTHOLEI OJEAGBASE	SC	MT
51116349JG	MUHAMMED AUWAL AMIN	ED	IR	51131639BA	PWAMORI WILSON	ED	CR
51143585GC	MUHAMMED KASIMU ISAH	ED	IR	51141922AH	RABIAT ABUBAKAR	ED	BL
51094081GH	MUHAMMED UMAR MUHAMMED	SS	PS	51143042EC	RAHINATU MOHAMMED	ED	LS
51116394FI	MUHMMED LADAN AMIN	AR	AL	51016337BE	RAMATU KASIMU	AR	HU
51141964HF	MUIBAT ADENIKE ADESOYE	ED	BE	51016300CI	RASHEED ADEMOLA ADEYELOJA	ED	AE
51016238CA	MUINAT IBRAHIM MAHMOUD	ED	BL	51115021AG	RAYMOND GOBUM	ED	PE
51111507HC	MUKTAR TANIMU KALAJANGA	SC	ST	51090965AG	RAZAQ A GANIYU	AD	AC
51109509FC	MUMINI MOHAMMED	ED	LS	51027013JD	RICHARD DODO AUDU	EG	EE
51142716FA	MUNIRATU ALIYU	AR	HS	51139055HC	RONALD RIKICHI SANKE	ED	PE
51096725IJ	MURTALA HASSAN HASSAN	MD	MD	51153310IE	ROSEMARY LAWRENCE	ED	HE
51103329GF	MUSA MOHAMMED	ED	BE	51010957FC	ROTIMI REUBEN OLORUNFEMI	AD	BA
51076193JA	MUSA ALHAJI WAZIRI	MD	NS	51122404HA	RUTH PAUL	ED	HE
51017905GD	MUSA DANIEL	ED	LS	51105485JG	RUTH SIMON	ED	HE
51142413IG	MUSA ILIYA JOSEPH	SC	BC	51046820DG	RUTH ATINE SHAIBU	ED	HE
51142867IC	MUSTAPHA ABUBAKAR	ED	AE	51028921JC	SABINA MNAGUNENGEN AGBA	EV	FA
51143540AD	MUSTAPHA NASIR	SC	CS	51017531CB	SADAT IBN ADAMU	AD	BA
51078077GE	NAFISAT RAJI	PH	PH	51037350CF	SADIAT LOLA ATTE	ED	LS
51094910AF	NAFIU UMAR	MD	MD	51103259IB	SADIQ MUSA	LA	SH
51116684GB	NAMNSO JAMES UDO	ED	BE	51094134AF	SAFIYA HALLIRU HARUNA	ED	HE
51113355FH	NANSEL NIMMYEL FABONG	AD	PA	51142898IG	SAFIYA OZOHU USMAN	ED	LS
51017902HC	NA'OMI GYAN AYUBA	ED	CR	51019091JE	SAGIR SULLUBAWA AYUBA	AR	HU
51096718BD	NASIR TANKO	ED	AE	51017775GF	SAIDU BABALE	AR	HU
51046237DJ	NASIR ALHAJI UMAR	SC	ST	51077392IC	SALIHU MOHAMMED	AR	AL
51026130CG	NASIRU ALHAJI LADAN	AR	HU	51142189HJ	SALIHU SANI	LA	SH
51145414AH	NASIRU SANI	EG	EE	51141457EE	SALIHU MOHAMMED	EG	CE
51141434BG	NATHANIEL YAKUBU BINDO	EG	CE	51095299AC	SALISU MUSA ALIYU	SS	PS
51094123DI	NAZIFI MUHAMMED ALI	AD	BA	51151371IB	SALISU YUSIF HARUNA	AD	PA
51134016FH	NDAGI ALHASSAN	MD	NS	51140317GJ	SAMUEL JAMES DAVWET	ED	PE
51036467FF	NEHEMIAH JOSHUA	ED	BE	51155345JA	SAMUEL OLANIYI OMOLE	EG	CE
51111408HI	NKPUMA KAKOMU LAZARUS	AD	AC	51109335IJ	SANUSI HASSAN	ED	IR
51037722HD	NNA-MADAM MADONNA SHIDALI	ED	LS	51142240CD	SANUSI LAMIDO	AR	HU
51142042DF	NOMHIMMU YOHANNA	ED	AE	51014891IE	SHADRACK ABAYOMI ADESHINA	EV	ID
51017870HB	NONYE PERPETUA ALIBA	ED	GS	51103550IB	SHAFI'U DATTI	ED	MT
51121043HJ	NSA BASSEY ESUA	EG	ME	51113415HB	SHAGARI JONATHAN FYEN	SS	EC
51151500IC	NURA SANI	AR	HS	51037852HB	SHAMSUDEEN ABUBAKAR	ED	LS
51038389BC	NURA YUSUF	ED	LS	51096647DC	SHEHU DALHATU	ED	AE
51116410BA	NURADDEEN SANI	ED	BL	51143705JA	SHEHU SULEIMAN	ED	IR
51068028EE	NURUDEEN ALOWONLE SAFAU	AR	AL	51142579HD	SHEHU IDRIS ISAH	MD	MD
51016408JC	OBIEFOKA K.C NWANKWO	ED	BL	51016371AJ	SHEHU KAYA ABBAS	ED	IR
51042709FA	OBINNA UDEH SAMUEL	SC	BC	51017530CE	SHERIF IBN ADAMU	ED	BL
51037615AG	OGECHUKWU NWAMAKA OKOYE	ED	BL	51016269CE	SHERIFAT MOWUNMI MOHAMMED	ED	BE
51098980BH	OJO AKINWUMI ADAMOLEKUM	AD	AC	57114026IB	SHIKORA DAVID TONGWATDA	ED	PE
51142810FJ	OLADELE KABIR AYODEJI	EG	LD	51038363JA	SHU'IBU MUHAMMADU	AR	AL
51017674HH	OLAREWAJU ADETUNJI	ED	MT	51142928JD	SIKIRAT ABDULKARIM	ED	IR
51016267DA	OLIVIA ADA OBI	ED	MT	51143179BJ	SIM KAUNA DAUDA	ED	GS
51017701JD	OLUBUKOLA ANAMADE	MD	NS	51132066IH	SIMBAMI JOHANNES	ED	AE
51037621IF	OLUBUMI ASALA	ED	LS	51036417BB	SIMIAT JUMOKE SALLAU	ED	HE
51117766BG	OLUSEGUN FEMJ FOLORUNSO	SC	BC	51037624HG	SIMONA ABUTU SUNDAY	ED	LS
51017546HD	OLUWAGBEMIGA AREO	ED	BL	51111068DB	SIRAJO SUNUSI ABUBAKAR	AR	AL
51100396DH	OLUYEMISI ABIDEMI BABAGBALE	MD	MD	51113149JD	SOKYES ANDREW SAMUEL	ED	AE
51142401CF	OMOLARA FAITH ASALU	ED	BE	51026356CH	STEPHEN ADAH OKPE	ED	CR
51085180JF	OMOLOLA AJAKAIYE	ED	HE	511174193FJ	STEPHEN ANOZE DANIEL	EG	LD
51069630II	ONIWON CHARLES	SS	EC	51017511IB	SULE MOHAMMED	ED	LS
51069638GE	OVOEZI EDAFEASE	SS	PS	51142964IC	SULEIMAN SANI	LA	SH
51114571JF	PANKYES DAGUNG	ED	CR	57037417BI	SULEIMAN AHMAD MAHMUD	ED	IR
51116489GE	PATIENCE ERNEST	ED	CH	51111100DC	SULEIMAN MAHMUD ADAM	AR	AL
51016406AB	PATIENCE JOSEPH YASHJM	ED	BE	51103622FJ	SULEIMAN UMAR	AR	HU
51017683FA	PATRICIA JAMES	ED	LS	51113695AH	SUNDAY ELISHA NGUKAS	ED	GS
				51104861CI	SUNDAY OGBINYI OKO	AD	PA

2005/2006 UME ABU admission list

ID	NAME	ED	AE	SCHEDULE OF FEES FOR FRESH STUDENTS		
				NIGERIAN	RESIDENT	NON-NIGERIAN
				N	NON-RESIDENTS	
						US\$
51076260ID	SUNDAY ZHIRIN	ED	AE			
51094801EB	SUNUSI USMAN SUNUSI	SS	PS			
51037612BF	SURAJ MAGAJI	ED	IR			
51116314AH	SURAJ MATAZU IDRIS	ED	AE			
51141946DC	SURAJO MUHAMMAD SANI	AR	AL			
51028198DA	TABITHA AYUBA	ED	HE			
51000164DD	TAJUDEEN JIMOH	SS	PS			
51141910ED	TANKO NWUNUJI SHIDDI	SS	PS			
51111052HJ	TANKO TAIMAKO TSWABKI	ED	AE			
51017598BE	TAWAKALITU FUNMI SALAU	ED	BL			
51026515DF	TERNENGE ALAGH	ED	MT			
51026188EG	TERSUR STEPHEN VIHITYO	EV	UR			
51139290EG	THOMAS BASINA DAUDA	EV	FA			
51116687FC	*TIJJANI ABBA	ED	AE			
51142105EA	TIMOTHY TITUS	EV	ID			
51145852FB	TITUS RABO	ED	BE			
51115936HE	TOHOLDE PATRICK ZAKKA	ED	BE			
51113888BA	TONGURENE DAWAP KEVIN	AD	AC			
51095584CA	TUHAMI JINJIRI	ED	AE			
51017702JA	TUKUR ABDULLAHI LAWAL	AR	HU			
51017734JB	TUKUR MAINASARA	AR	HU			
51017694BH	UBALE UMAR	ED	PE			
51017516GG	UKWUOMAS PEPERTUA NWOSU	ED	HE			
51037635ED	UMAR HARUNA	ED	IR			
51097814CD	UMAR ISAURI ABBAS	ED	AE			
51116719FD	UMAR LAWAL ISYAKLA	EG	LD			
51142649FH	UMAR MUHAMMED JIYA	MD	MD			
51096792IC	UMAR SHEHU ABUBAKAR	LA	SH			
51141364DC	UMAR YAHAYA SALE	ED	CH			
51141733IJ	UMMA YAHAYA	ED	HE			
51017541FF	UMMAHANI YUSUF	ED	HE			
51138488CH	USMAN ABDULKADIR	ED	BE			
51141768IB	USMAN MUSTAPHA	AR	HU			
51142294FF	USMAN SAMAILA	ED	LS			
51142171DG	USMAN IBRAHIM MUSA	ED	IR			
51037581BB	USMAN MIKAIL GARBA	ED	IR			
51130595DI	USUE MICHAEL MZAGA	ED	BE			
51023096BA	UYAI ESEME ARCHIBONG	VT	VT			
51113431CD	VENNAP NANWOR	SS	PS			
51142051AI	VICTOR BASSEY	ED	CR			
51028186GG	VINCENT SUNDAY YASHEEMS	EV	FA			
51017847ED	WABA UJULU CHARITY	ED	CR			
51143246BC	WADA MUHAMMAD	AR	AL			
51109776CH	WAHEED ADEBAYO ALIMI	AD	AC			
51040336II	WANBUNDE JOY NGUUMA	ED	HE			
51074848FB	YAHAYA SHEHU	ED	LS			
51017578HE	YAKUBU SHEHU	LA	SH			
51073277BB	YAKUBU AMADU BABA	EV	FA			
51095281FG	YAKUBU IDRIS	ED	IR			
51115362FA	YIN'ALLAH AJIMASU	ED	AE			
51142173DA	YOHANNA EMMANUEL	ED	MT			
51103090AG	YOHANNA MARKUS	ED	CR			
51112231DE	YOHANNA PAM DANOU	ED	PE			
51113457EC	YONA'A PERTER LEKWOT	ED	GS			
51019057AC	YUNUSA RAFI'NDADI BABBA	ED	IR			
51151209IC	YUNUSAS MOHAMMED OSENI	EG	CE			
51145348BB	YUSUF MUSA	AR	AL			
51094078HG	YUSUF HUSSAINI SHEKARAU	SS	SG			
51143423GD	YUSUF KASIM	ED	LS			
51094399ID	ZAHRADEEN MUSTAPHA	LA	SH			
51037660GF	ZAINAB AMIR	ED	PY			
51155183JB	ZAINAB ABDUWAHAB	ED	PY			
51141616FC	ZAINAB ABUBAKAR ATIKU	ED	IR			
51143277BG	ZAINAB IBRAHIM	ED	IR			
51037523II	ZAKARIYYA USMAN	AR	HU			
51017794AI	ZUBAIRU SAMBO SANI	AR	HU			

SCHEDULE OF FEES FOR FRESH STUDENTS			
	NIGERIAN	RESIDENT	NON-NIGERIAN
		N	NON-RESIDENTS
			US\$
A. TUITION			
1. Arts, Social Science Public Admin, Education, Accounting Business Admin. Law and Mass Comm.	FREE	13,000	5,000.00
2. Engineering and Env. Design	FREE	14,300	8,000.00
3. Agriculture and Sciences	FREE	15,600	6,000.00
4. Architecture, Pharm. Sciences, Human Medicine and Vet. Medicine	FREE	23,400	10,000.00
B. ACCOMMODATION (Subject to availability of bed-space)			
1. Bed Space	90.00	90.00	
2. Maintenance of utilities	4,000.00	4,000.00	
3. Hygiene Sanitation	3,000.00	3,000.00	
Total	N7,090.00	N7,090.00	US\$1,000
C. ADMINISTRATIVE CHARGES			
1. Medical Services	N1,500.00	N1,500.00	500
2. Examination Fees	N1,000.00	N1,000.00	400
3. Registration Fees	N1,000.00	N1,000.00	100
4. Sports	N500.00	N500.00	100
5. New ID Card	N500.00	N500.00	4.00
6. Library Fees	N500.00	N500.00	4.00
7. Students Union Dues	N300.00	N300.00	3.00
8. Acceptance Fees	N500.00	N500.00	4.00
9. Caution Fees	N500.00	N500.00	4.00
10. Orientation Fees	N500.00	N500.00	4.00
Total	N6,800.00	N6,800.00	\$1,123.00
D. OTHER FACULTY SPECIFIC CHARGES			
1. Humanities	N1,610.00	N1,610.00	120.00
2. Science/Applied Sciences	N3,610.00	N3,610.00	500.00
E. SUMMARY OF FEES PAYABLE			
The overall approved fees payable are:			
NIGERIAN			
i. Humanities Faculties Administration, Arts, Education, Law and Social	N15,500		
ii. Science and Applied Sciences Faculties: Agriculture Engineering, Environmental Design, Medicine Pharmaceutical Sciences, Science and Veterinary Medicine	N17,500		
NON-NIGERIAN			
		Resident	Non-Resident
i. Faculties: Admin, Arts, Education, Law and Social Sciences		N28,500	US\$7,243.00
ii. Engineering and Environmental Design		N31,800	US\$10,623.00
iii. Agriculture and Sciences		N33,100	US\$8,623.00
iv. Pharmaceutical Sciences, Human Medicine, Veterinary Medicine and Architecture		N40,900	US\$12,623.00

F. Fees are to be paid in two separate Bank Drafts in favour of Ahmadu Bello University, Zaria, one for Administrative Charges and the other for accommodation if required. The Bank draft should be obtained from any branch of First Bank Plc, Union Bank Plc, UBA Plc to be drawn in their branches at Samaru. Payment in Cash may also be made at ABU Community Bank at Main Campus, samaroo Faculty specific charges are to be paid to the various faculties in cash.

Signed
IDRIS AHMED
REGISTRAR



Offer-Circular Pursuant to the Debt Management Office (Establishment) Act 2003 and the Local Loans (Registered Stock and Securities) Act (Cap 214) LFN 1990

THE CENTRAL BANK OF NIGERIA
on the authority of the
DEBT MANAGEMENT OFFICE
on behalf of the
FEDERAL GOVERNMENT OF NIGERIA

Offers for Subscription by Auction and is authorized to receive applications for

N25, 000,000,000

3rd FGN BOND 2009 (3-YEAR TENOR)*

Application List opens 23rd January 2006
Application List closes 25th January 2006

- Interested investors and authorized dealers (Banks, Discount Houses and Stockbrokers) are invited to collect application forms from any office of the Central Bank of Nigeria ("CBN") nationwide.
- Interested members of the public are to submit their bids through any authorized dealer nationwide to reach the CBN, Lagos not later than the closing date as specified. Application forms are also available on www.cenbank.org and www.dmo.gov.ng for download and completion.
- Authorized dealers are allowed to submit multiple bids and quote multiple rates. A bid may be for own account or made on behalf of interested members of the public.
- Completed application forms should be submitted by the Authorized Dealers to Issues Office, 5th Floor, Old Building, Central Bank of Nigeria, Tinubu Square, Lagos.
- This is the 1st in the series of the programmed issues for the 1st Half of 2006 as set out below**:

Month	Tranches	Opening	Closing
January 2006	N25,000,000,000 3rd FGN Bond 2009 Series 1 (3-Year Tenor)	23rd January 2006	25th January 2006
February 2006	N10,000,000,000 3rd FGN Bond Series 2 (3-Year Tenor) N20,000,000,000 3rd FGN Bond 2011 Series 3 (5-Year Tenor)	20th February 2006	22nd February 2006
March 2006	N10,000,000,000 3rd FGN Bond 2009 Series 4 (3-Year Tenor) N20,000,000,000 3rd FGN Bond 2011 Series 5 (5-Year Tenor)	27th March 2006	29th March 2006
April 2006	N10,000,000,000 3rd FGN Bond 2009 Series 6 (3-Year Tenor) N20,000,000,000 3rd FGN Bond 2011 Series 7 (5-Year Tenor)	24th April 2006	26th April 2006
May 2006	N20,000,000,000 3rd FGN Bond 2011 Series 8 (5-year tenor)	22nd May 2006	24th May 2006
June 2006	N20,000,000,000 3rd FGN Bond 2013 Series 9 (7-year tenor)	26th June 2006	28th June 2006

- Payment in full for the amount of the accepted bids must be made to the Central Bank of Nigeria not later than 1.30 p.m. on the allotment day (i.e. 2 days after closure of Application List). This will normally be effected by direct debit to the account of the Authorized Dealers who should ensure that their accounts with the CBN are adequately funded for this purpose.

*The DMO reserves the right to vary the amount allotted in response to market dictates.

** The Issuance Calendar may be revised in response to market realities.

Note: The issuance will continue during the second half of the year, the issuance programme for the second half of the year will be published in due course.

SUMMARY OF THE OFFER

ISSUER: Federal Government of Nigeria ("FGN")

THE ISSUE: N25 billion 3rd FGN BOND 2009 Series 1

UNITS OF SALE: N1, 000 per unit subject to a minimum subscription of N10, 000 and in multiples of N1, 000 thereafter.

PURPOSE: To restructure part of the outstanding 91-day NTBs into longer-tenored bonds, provide benchmark instrument for the pricing of other securities in the capital market, facilitate the development of the bond market in general as well as fund the budget deficit.

TENOR: 3 years
INTEREST RATE: To be determined by auction. The Marginal Rate that clears the volume on auction or the highest accepted rate becomes the coupon for the issue.

INTEREST PAYMENT: Payable semi-annually.
MATURITIES: The series will mature as shown below:

N25 billion 3rd FGN Bond 2009 Series 1	27th January, 2009
N10 billion 3rd FGN Bond 2009 Series 2	24th February, 2009
N20 billion 3rd FGN Bond 2011 Series 3	24th February, 2011
N10 billion 3rd FGN Bond 2009 Series 4	31st March, 2009
N20 billion 3rd FGN Bond 2011 Series 5	31st March, 2011
N10 billion 3rd FGN Bond 2009 Series 6	28th April, 2009
N20 billion 3rd FGN Bond 2011 Series 7	28th April, 2011
N20 billion 3rd FGN Bond 2011 Series 8	26th May, 2011
N20 billion 3rd FGN Bond 2013 Series 9	30th June, 2013

REDEMPTION: Bullet repayment on the maturity date.

STATUS:

- Qualifies as securities in which trustees can invest under the Trustee Investment Act
- Qualifies as Government securities within the meaning of Company Income Tax Act ("CITA") and Personal Income Tax Act ("PITA") for Tax Exemption for Pension Funds amongst other investors
- To be quoted on The Nigerian Stock Exchange
- Not subject to a single obligor limits for banks
- Zero weighting for capital adequacy purposes for banks
- Qualifies as liquid asset for liquidity ratio calculation for banks

SECURITY: Issue of Bonds is based on the full faith and credit of the Federal Government of Nigeria and is charged upon the general assets of Nigeria.

PAYMENT TERMS: Payable in full on application

UNDERWRITING: This offer will not be underwritten at the instance of the FGN

PARTIES TO THE OFFER

ISSUER: Federal Government of Nigeria
ISSUER'S AGENT: Debt Management Office
AGENT BANK: Central Bank of Nigeria
STOCK BROKER: Trade Link Finance and Securities Ltd.
REGISTRAR: Central Bank of Nigeria



Debt Management Office

IMPORTANT NOTICE: ONLY 7 DAYS TO GO!

REQUEST FOR EXPRESSION OF INTEREST (EOI) TO BE PRIMARY DEALER/MARKET MAKER TO FEDERAL GOVERNMENT OF NIGERIA (FGN) SECURITIES

Pursuant to the Debt Management Office (Establishment etc.) Act 2003 vesting the Debt Management Office (DMO) with the responsibility, amongst others, of issuing and managing Federal Government of Nigeria's (FGN) publicly issued securities, the DMO recognises that the establishment and promotion of a robust primary debt market and a liquid secondary market in Nigeria are essential to the institution of a rational strategy for the management of FGN's debt. In line with this, the DMO after extensive consultations with the market has decided to institute a Primary Dealer Market Maker (PDMM) system for the issuance and trading of Federal Government's debt securities.

In this regard, the DMO invites Expressions of Interest (EOI) from banks, discount houses and securities dealers to be Primary Dealers/Market Makers (PD/MM) in FGN securities in line with the guidelines issued by the DMO on the PDMM structure in FGN Bonds securities. The PDMM structure on FGN securities requires PD/MMs to:

- i) Take up, market and distribute the primary issues of FGN securities and to support the FGN issuance programme; and
- ii) Undertake to make, in all market conditions, effective two-way price quotes in the FGN securities in which they have committed to deal.

In return for undertaking the foregoing obligations in respect of FGN securities, the PD/MMs will be entitled to certain privileges including:

- a) Exclusive right to bid for all primary issues of FGN securities;
- b) Exclusive right to deal with the DMO in respect of the FGN securities in the secondary market; and
- c) Opportunity to advise and make suggestions on future debt issues of the Federal Government of Nigeria.

To be eligible for consideration as a PD/MM in FGN securities, an applicant, among other requirements, must:

1. Demonstrate a sound financial base (including minimum shareholders funds of N2.0 billion (excluding valuation surplus and intangible assets);
2. Have adequate management capacity to manage securities taken up and trading activities;
3. Exhibit capacity to install and maintain designated Information Technology (IT) and telecommunications links with the DMO and other PD/MMs at all times;
4. Show active market presence; and
5. Undertake to provide DMO and recognized wire services market information relating but not limited to: end-of-day FGN securities prices, positions and periodic turnovers.

In addition, Banks and Discount Houses on the one part and Securities Dealers on the other should not be in default or violation of any of the regulatory and other requirements of the Central Bank of Nigeria (CBN) on the one part and SEC and the Nigerian Stock Exchange (NSE) on the other respectively.

The full guidelines can be accessed at the DMO website: <http://www.dmo.gov.ng>

Interested Banks, Discount Houses and Securities Dealers should indicate their interest by providing the following information:

- A profile of the Company, including:
 - a) Full name of the Company;
 - b) Name of contact person(s);
 - c) Address, telephone number, facsimile number and e-mail address; and
 - d) Nature of business, ownership structure and percentage shareholding.
- Names and Curriculum Vitae of the Company's Board, Management and the top executives who will be responsible for the PDMM operations, showing qualifications and individual experience in handling similar responsibilities.
- Full Audited Accounts of the Company for the past five years.
- Track record in securities dealing.
- Evidence of registration with the relevant regulatory authorities or plan to meet the regulatory registration/licensing requirement.
- Any other information that may enhance the application.

The DMO reserves the right to accept or reject any EOI and the DMO's decision shall be final.

Expressions of Interest must be received by the DMO not later than the close of business on Monday, January 30, 2006. The EOIs are to be in one original and five copies, delivered to the address below in a sealed envelope marked "Expression of Interest Primary Dealer/Market Maker in Federal Government of Nigeria Securities"

For further enquiries or information, please contact:

Director, Portfolio Management
Debt Management Office
NDIC Building
Plot 447/448 Constitution Avenue
Central Business District
Abuja.

Telephone: (234)09 5237403
Fax: (234)09 5237403



ECOWAS CEDEAO

VACANCIES

The Economic Community of West African States (ECOWAS) invites applications from suitably qualified candidates for two (2) positions under its regional integration programme for water resources management. The duty station is Ouagadougou, Burkina Faso.

PROGRAMME OFFICER, REGIONAL PROGRAMMES, ECW/ADM/015/2005 P4

This position is under the direct supervision of the Regional Coordinator, Water Resources Coordinating Unit. The Holder will be responsible for the implementation and management of the West African Regional plan on integrated Water Resource Management at the regional level and follow up on project activities in accordance with ECOWAS POLICIES AND REGULATIONS,

ACADEMIC QUALIFICATION AND EXPERIENCE

- A good Master's degree in Law or its equivalent.
- Possession of higher degree will be an added advantage.
- Minimum of five years post graduation experience in legal drafting or legislation on water resources/environment, particularly for international organizations.
- Proficiency in English or French, with a good working knowledge for the second language.
- Knowledge of Portuguese will be added advantage.

PERSON SPECIFICATION

- Excellent project management skills
- Proven managerial and analytical skills and track record in team management and motivation.
- A good knowledge of regional integrated water management systems.
- Strong personal and interpersonal skills.
- demonstration skills in computer applications and the use of project management software programmes.
- A good knowledge of Microsoft packages such as word, Excel, MS Project and Power point, Access.
- Ability to function in a multi-cultural work environment.

PROGRAMME OFFICER, COMMUNICATION /ENLIGHTENMENT. ECW/O16/2005 P3

This position is under the direct supervision of the Regional Coordinator, Water Resources Coordinating Unit. The right candidate will organize enlightenment programmes and canvass support for the Water Resources Programme in the entire region.

ACADEMIC QUALIFICATION AND EXPERIENCE

- A minimum of a good first degree in Mass Communication/Liberal Arts/Journalism/Sociology.
- A post-graduate qualification in any of these areas is an added advantage
- Five years post-qualification experience in the

formulation and organization of enlightenment programmes with a focus on water resources and environment.

- Sound knowledge of Community and Public relations.
- A good knowledge of Microsoft packages such as Word, Excel, MS Project and Power Point, Access.

PERSON SPECIFICATION

- Excellent oral and written communication skills in English or French with a good working knowledge of the second Language.
- Knowledge of Portuguese will be an added advantage.
- A high degree of personal initiative and good interpersonal skills.
- A sound knowledge of the west African sub region.
- Good people skills management.
- Ability to function in a multi-cultural work Environment.

NATURE OF APPOINTMENT FOR BOTH POSITIONS

Each position is permanent appointment. Only citizen of ECOWAS member states who are below fifty years may apply. Female candidates are encouraged to apply.

Qualified candidates should quote the reference number for the desired position and forward their applications to the address below, enclosing their detailed curriculum vitae and contact telephone Number.

THE Director of Administration ECOWAS Executive Secretariat
60 Yakubu Gowon Crescent P.M.B 401, Garki Abuja.

The deadline for the receipt of all application is 5.00 PM Friday, February 17, 2006.

ECOWAS is an equal opportunity employer.
Candidates are also invited to visit ECOWAS website at www.ecowas.int

Duplicated applications will not be entertained.

Signed.

The Permanent Secretary,

Ministry of Cooperation and Integration in Africa .



Continuation of PDP Membership Revalidation/ Registration Exercise

National Secretariat: Plot 1970, Wadata Plaza, Michael Okpara Street, Wuse Zone 5, Abuja
Tel: 09- 5232569, 5233429. Fax: 09-5231299



The following party members have been nominated to supervise the party membership registration exercise which will commence on Monday, January 23rd, 2006 in all the states of the federation. They are requested to report at the National Secretariat of the PDP, Abuja by noon on Monday Jan. 23rd, 2006 for briefing.

Abia

- 1 Chief Mrs. Titi Oluyede
2. Hon. Madwate Anthony
3. Hon. Solomon Agidani

Akwa Ibom

1. Maji Mohammed Magoro - Leader
2. Hon. Bethel Amadi
- 3 Muhammed Sani Abubakar

Bauchi

1. Pauline Tallen
2. Hon. Mao Ohuabunwa - Leader
- 3 Mr. Bolu Kunlere

Benue

1. Dr. Christy Anna Silas
2. Senator Victor Oyofe - Leader
3. Hon. Nzeribe M. Chuma

Cross River

1. Amb. Hassan Adamu Wakili
2. Hon. Dr. Shehu Matazu - Leader
3. Hon. Baba Shehu Agaie

Ebonyi

1. Alhaji Shaaba Lafiagi
2. Hon. Fanta Baba Shehu
3. Tukur Mani

Enugu

1. AVM Larry Kionyan
2. Alhaji Barr. Abdullahi Jallo
3. Alhaji Isyaku Jibrin

Edo

1. Senator Hayatu Bello Gwarzo - Leader
2. Alhaji Ahmed Yusuf Onogoh
3. Alhaji Kabiru Usman

Gombe

1. Senator Joy Emodi - Leader
2. Hon. Temi Harriman
- 3 Amos Kwaghe

Rivers

1. Alhaji Abudullahi A. Ali Obaje - Leader
2. Mrs. Eno Bassey
3. Mr. Okonofua

Imo

1. Chief Ijiwoye Abiola
2. Hon. Karfe Seith Alhassan
3. Alhaji Suleiman Hunkuyi

Jigawa

1. Dr. Stella Effa Attoe
2. Hon. Aroh Eusebuis A.
3. Mr. Lola Awosusi

Kaduna

1. Dr. Ombo Isokrari
2. Hon. Okoto Foster Bruce
3. Mr. Ben Oru

Kano

1. Mrs. Kema Chikwe
2. Hon. Adun Jim Aiku
3. Mr. Wole Adesiyun

Katsina

1. Air Commodore Jonah Jang
2. Hon. Prince O. Adeyemi
3. Barr. Mrs. N. Awa

Kebbi

1. Senator N. Aliyu - Leader
2. Hon. Nkechi Nwogu
3. Clement Itotop

Kogi

1. Senator Julius Ucha - Leader
2. Hon. Jeffreys M. Owor
3. Alhaji Modu Walama

Kwara

1. Senator Fidelis Okoro - Leader
2. Hon. Saidu Nguroje
3. Nasiru Aliko Koki

Lagos

1. Senator J. Danboyi - Leader
2. Hon. Charles Ugwu
3. Hon. Ruth Jummai Ango

Nasarawa

1. Senator Uche Chukwumerije - Leader
2. Hon. Halims Agoda
3. Chief Enyinnaya Abaribe

Adamawa

1. Mr. D.D. Apugo- Leader
2. Hon. Femi Onimole
3. Hon. Tony Anyanwu

Anambra

- 1 Alhaji Kaulaha Aliyu
- 2 Hon. Shehu Kagara - leader
3. Hon. Abdulazeez Idris King

Bayelsa

- 1 Obong Rita Akpan
- 2 Hon. Atai Aidoko Ali - Leader
3. Hon. G.P. Makanjuola

Borno

- 1 Mrs. Julie Nwariaku - Leader
- 2 Hon. Nduese Essien
- 3 Hon. Odudotun Animashaun

Delta

- 1 Alhaji Isa Ozi Salami - Leader
2. Hon. Samuel Egya
3. Mr. Rasheed Onibodo

Ekiti

1. Senator Isaiah Balat -Leader
2. Hon. Out Bassey Edet
3. Hon. Chidi Nwatu

Niger

1. Senator Patrick Osakwe - Leader
2. Hon. Emiola Fakeye
3. Mr. Benson Ezem

Ondo

1. Scnator S.U. Danboyi - Leader
2. Hon. Yusuf Dikko
3. Ibrallim Gafar

Ogun

1. Senator A.D. Sodangi - Leader
2. Hon. Abdu Idris Umar
3. Ibrahim Ida

Osun

1. Senator Baba Tella - Leader
2. Hon. Bako Sarai
3. Rev. Hon. Wuyep L. Musa

Oyo

1. Senator T.U. Wada - Leader
2. Hon. Mike Ohia Chuks
3. Hon. Philip Aduda

Plateau

1. Senator Hosea Ehinlanwo - Leader
2. Hon. Sanusi A. Anwo
3. Hon. Akpana Daiemi

Sokoto

1. Senator Iyabode Anisulowo - Leader
2. Hon. Apostle Dave Salako
3. Dr. Olufemi Taiwo

Taraba

1. Senator Robert Koleosho
2. Hon. Francis Ogunniyi
3. Alhaji Abubakar Cika

Yobe

1. Senator Iyiola Omisore
2. Hon. G. Suswan
3. Alhaji Hassan Mohammed Sarkin Arewa

Zamfara

1. Senator Lee Maeba -Leader
2. Alhaji Ado Kurawa Kano
3. Dr. E.A. Adesola

Federal Capital Territory

1. Senator N. Edoma - Egba

JOHN ODI
National Publicity Secretary

NIGERIAN-TURKISH INT'L COLLEGE-KANO is saying "THANK YOU"
To the following States: Borno, Yobe, Katsina, Kano, Jigawa, Sokoto, Kebbi and Zamfara
that participated in our 3rd
NTIC ANNUAL MATHEMATICS COMPETITION
THAT TOOK PLACE ON
3RD December, 2005.

The under-listed Schools were the best TEN in the competition in their various centres

KANO	KATSINA	BORNO-YOBE	SOKOTO-ZAMFARA-KEBBI
St. Louis	Kiddies Int'l Sch.	Air Force Pri. Sch.	FGC Staff. Sch.
Rainbow School†	Ideal Int'l Sch.	Namu Model Sch.	Fremar Nur/Pri. Sch. Gusau
Ladybird Nur/Pri.Sch.	Focus Int'l Sch.	Namu Nur/Pri. Sch.	Attubiri Bafarawa Inst.
Gateway Int'l Sch.	Unity Nur. & Pri. Sch.	Borno Women's League	Unity Comprehensive Sch.
New Salsa Int'l Sch.	Ahmadu Coomassie Sci. Pri. Sch.	Maiduguri Experimental Sch.	Prince Int'l Sch
The Light Int'l Sch.	Brilliant Int'l Sch.	El-Kanemi Pri. Sch.	Blue Crescent Pri. Sch.
Sankoree Int'l Sch.	Danta Model Pri. Sch.	Bethel Sch.	Ultimate Nur/Pri. Sch. B/Kebbi
Ebony Nur/Pri. Sch.	Sallau Model Pri. Sch.	Ruby Model Sch.	Sokoto Cement Pri. Sch.
Channel Nur/Pri. Sch.	Saldefi Day Care Pri. Sch.	Goniri Maruri Pri. Sch.	Argungu Emirato Model Pri. Sch.
Air Force Pri. Sch.	ABUTH Staff Sch.	Alamin Model Sch.	High Standard Nur/Pri. Sch. B/Kebbi

Your schools were the best and we hope you will continue the good work of dispensing quality education to our children for a better tomorrow.

**THANK YOU
PRINCIPAL**

TRUST CLASSIFIED

ALH. SULE UDI MEMORIAL ISLAMIC FOUNDATION

The general public is hereby notified that the above named Foundation has applied for registration under part "C" of Companies and Allied Matters, Decree No. 1 of 1990.

The Trustees are:

1. His Exc. Dr. Ibrahim S-minu Turaki - Chairman
2. His Royal Highness, Dr. Nuhu Sanusi Emir of Dutse
3. Alh. Sabo Wada - Secretary
4. Dr. Ahmad Rufai Inuwa
5. Alh. Ibrahim Manzo Babura
6. Alh. Idi Musa Garki
7. Alh. Haruna Magama (Kogunna Hadejia)
8. Alh. Sagir Mohammad (Wazirin Ringim)
9. Alh. Lawal Mohammad Kangama
10. Alh. Ubale Ahmad Taura
11. Alh. Nura Usaini Kazaure
12. Senator Dalha Danzomo
13. Alh. Abdu Idi
14. Hon. Alh. Inuwa Sule Udi

The Aims and Objectives are:

1. Promotion of Islamic Education
 2. To assist in the Development of Islamic Education
 3. Publication of Magazines, Journals and Booklets for enlightening Muslims.
- Any objection to the said registration should be forwarded to the Registrar General, Corporate Affairs Commission, Plot 565, Ndola Square, Zone 5, P.M.B. 189, Abuja within 28 days of this publication.

Signed:
Muhammad Umar & Co.
Legal Practitioners

AL-NASWRIHYA ISLAMIC PROPAGATION CENTRE

The general public is hereby notified that the above named Organisation has applied for registration under part "C" of Companies and Allied Matters, Decree No. 1 of 1990.

The Trustees are:

- (1) Malam Abubakar Imam Gafafanci
- (2) Hon. Dr. Nasir Yusuf Guwum
- (3) Faruk Mallami Yabo

The Executive Members are:

1. Ahmad Madaki - Sec. General
2. Ado Garba - Financial Sec.
3. Nasiru Ali Shuaib - Treasurer
4. Muhammad Nasir Umar - Auditor
5. Malam Abdulla - Preaching Officer
6. Malam Sani Adam Hoto - Preaching Officer
7. Ibrahim B. Sani - P.R.O

The Aims and Objectives are:

1. To establish and run an Islamic Centre in Kano
2. Propagation of Islam
3. Enlightenment of Muslim Ummah
4. Helping people who converted to Islam

Any objection to the said registration should be forwarded to the Registrar General, Corporate Affairs Commission, Plot 565, Ndola Square, Zone 5, P.M.B. 189, Abuja within 28 days of this publication.

Signed:
Ibrahim B. Sani
P.R.O.

WILDLIFE INFOCENTRE NIGERIA

The general public is hereby notified that the above named Organisation has applied for registration under part "C" of Companies and Allied Matters, Decree No. 1 of 1990.

The Trustees are:

- (1) Ikenneh Ashegbofe R.
- (2) Chinyere Igwegbe
- (3) Ikemeh David Akisabomeh

The Aims and Objectives are:

1. To provide a data base for Wildlife in Nigeria.
2. To educate the populace on the status of Wildlife in the country.
3. To communicate the findings of research to stakeholders and the populace.

Any objection to the said registration should be forwarded to the Registrar General, Corporate Affairs Commission, Plot 565, Ndola Square, Zone 5, P.M.B. 189, Abuja within 28 days of this publication.

Signed:
Chinyere Igwegbe
Secretary.

CENTRE FOR PARENTING SKILLS

The general public is hereby notified that the above named Organisation has applied for registration under part "C" of Companies and Allied Matters, Decree No. 1 of 1990.

The Trustees are:

- (1) Erhunmwunsee Hudson
- (2) Engr. Adebawale Mutiu
- (3) Chief Bello Samuel
- (4) Mrs. Erhunmwunsee Stella
- (5) Rev. (Mrs.) Bello Hannah

The Aims and Objectives are:

1. To empower parents on the practical skills for child upbringing
2. To provide support and counselling services to parents with difficult children

Any objection to the said registration should be forwarded to the Registrar General, Corporate Affairs Commission, Plot 565, Ndola Square, Zone 5, P.M.B. 189, Abuja within 28 days of this publication.

Signed:
Secretary.

CHANGE OF NAMES

I, formerly known as CHINWE LAW-ONYEMAH, now MRS CHINWE IHEME. Former documents remain valid. Notify and the public to note.

I, formerly known as MISS NWADIUTO UZOANYA, now wish to be known as MRS. NWADIUTO OGUH. Former documents remain valid. Abia State University and the public to note.

I, formerly known as MRS. FLORENCE UWANKEONYE OKORO, now wish to be called MRS. FLORENCE UWANKEONYE ANOZIE. Former documents remain valid. General public to note.

I, formerly known as ABDULLAHI BUBA, now wish to be known and addressed as ABDULLAHI MUHAMMAD LAMIDO. All former documents remain valid. General public take note.

**ALWAYS
ADVERTISE
WITH
DAILY &
WEEKLY
TRUST**

SPORTS

EGYPT 2006 AFRICAN CUP OF NATIONS

Nigeria, Ghana rekindle rivalry

The Super Eagles and Black Stars will today rekindle their age-long rivalry at the Port Said Stadium, Egypt in their group opening game.

The Ghanaians will enter the stage with a rich Nations Cup pedigree having won the championship four times out of 13 appearances, as against the Eagles' two from 12 appearances.

By Patrick Andrew, Asst. Head, Sports Desk

Besides, the Stars have a World Cup ticket unlike the Eagles who failed to secure same and must use the Nations Cup to assuage their loyalists.

Whatever level both play, it has always been battle royale and today's encounter will not be exception going by the hype generated ahead of

this clash.

Ratomir Dujkovic has been crestfallen sequel to series of excruciating injuries in the team which he said has robbed the Stars of the lustre and flair he had banked on to execute the game. But then, he was quick to acknowledge both the pressure and determination to conquer in the opening game if only to boost the morale of the team.

In essence, Chelsea midfielder and workaholic, Michael Easien, Sulley Muntari another pearl and Asamoah Gyan are out of this match and thus represent huge minus to the Stars who would envy the Eagles' parade of top stars in the encounter that would make or break their chances of easy passage into the quarter fi-

nals.

Though the Eagles will miss the services of skipper Austin Okocha and John Utaka, they will have Martins Obafemi, the goal prodigy, back flip expert Julius Aghahowa or Ayodele Makinwa and Peter Odemwingie upfront.

The middle of the pack will see an assemblage of



Africa Cup of Nations
EGYPT 2006

Wilson Oruma, Christian Obodo and Ayilla Yusuf, the trio who were in action against Zimbabwe while Taye Taiwo, Joseph Enwhire, Yobo Joseph, Chidi Ordia and Obinna Nwaneri will complete the pack leaving Eneanya Vincent between the post.

The match in all ramifications should be exciting, tension soak and quite entertaining because both have samba background and the fact that the Eagles defeated them in Mali and in the 2002 World Cup qualifiers.

The aftermath of the match will serve as an index for the subsequent outcome of the group matches.

Zimbabwe and Senegal will lock horns in the second game that will be as tough as the Ghana, Nigeria encounter.

We're ready for Ghana - Eguavoen

Super Eagles chief coach, Austin Eguavoen says his team is ready and raring to go as they confront bitter West African rivals, Ghana on Monday in their first Group D game of the ongoing African Cup of Nations in Egypt.

Eguavoen told hotspotslive.com after their Saturday evening training that his team will not let Nigerians down in Monday's crucial encounter.

The Super Eagles coach said the injury to captain Austin Jay Jay Okocha has not dampened the morale of the team.

"It is a pity that Jay Jay is having a little knock but



Eguavoen.

this has not dampened the morale of the team in any way.

"In fact we are resolved, more than ever before, to go all out and win for him and the nation on Monday.

"Let me tell you that in football these things happen and sometimes there is nothing you can do about it."

Eguavoen also said that they will need some luck because luck plays a part in football at this level.

"I think Nigerians should also pray for us to have luck on Monday because you need a little bit of luck in a competition of this nature. I have played football to an appreciable level and I can tell you that you may play the best football and yet fail to win while sometimes you play so badly and still win an important game.

"So tell Nigerians that we are very ready for Ghana and to pray for us," Eguavoen concluded.

Obiefule collapse hits Eagles

Midfielder Paul Obiefule gave the Nigerian camp a huge scare when he collapsed during the team's training session in Port Said on Saturday.

Obiefule went down on his own in a scene which brought back memories of the tragic death of Cameroon's Marc-Vivien Foe in 2003.

As the stricken player lay motionless on the floor, at the El-Merekh football ground, some of the players panicked and started screaming for help. Obiefule, who plays for

Viborg in Denmark, was revived and stretchered off the field before being taken to hospital where he was detained overnight.

Officials were quick to rubbish speculation of convulsion insisting that the 20-year-old only suffered from a transient ischemic attack.

The Super Eagles doctor Abdulkadir Muazu told BBC Sport that Obiefule will be kept under close observation as they carry out the necessary medical tests.

"I didn't see the incident

clearly and therefore can't confirm that it was a convulsion but the situation was manageable," explained Muazu.

"He suffered a transient ischemic attack, which happens when there is a diminished supply of blood to the brain.

"What is essential at that point is for the player to fall, as this enables blood to flow to the head, and the person automatically regains consciousness," he said.



Eagles coach Samson Siasia calls for help for Obiefule.



FEDERAL UNIVERSITY OF TECHNOLOGY, MINNA
(Office of the Registrar)

RE: FEDERAL UNIVERSITY OF TECHNOLOGY, MINNA ADMISSION SCREENING EXERCISE.

This is to inform candidates who missed the Pre-admission Screening Exercise held on Saturday, 17th December, 2005 that the University has concluded arrangement to offer them a second and final opportunity for the Pre-admission Screening Exercise on Saturday, 28th January, 2006 by 9:00am at Bosso Campus.

Category of candidates:

JAMB candidates who made the Federal University of Technology, Minna their first or second choice and have scored a minimum of 160 in the University Matriculation Examination. DIRECT ENTRY, Remedial Absorb and candidates who have applied to other Universities, but have contacted FUT, Minna for change of University.

Screening Processing Charge:

A non-refundable processing charge of three thousand Naira (N3, 000.00) only-(N1, 000.00 only for the screening and a penalty fee of N2, 000.00 only) should be paid directly into FUT, Minna Accounts in the branches of the following Banks:

S/N	BANK	ACCOUNT NUMBER
1.	Zenith International Bank	6013803345
2.	Oceanic Bank Plc	0591201005146
3.	Guaranty Trust Bank Plc	3713516838111
4.	First Bank of Nigeria Plc	2522040000134
5.	Intercontinental Bank Plc	0030-298588-002

Candidates have up to Thursday 26th January, 2006 to pay. Each candidate is also required to indicate his choice of course and Name on the Bank Teller. Candidates are to document on Friday, 27th January, 2006, it is also mandatory for each candidate to present his/her evidence of payment at the screening exercise on Saturday, 28th January, 2006.

Candidates are required to register online. The Website address is: <http://www.futminnaportal.com>. For detailed information visit our website or check the *Punch Newspaper* of Tuesday, December 6, 2005, Page 55 and *Daily Trust Newspaper* of Monday, December 5, 2005, Page 43.

Signed:
M.D. Usman
Ag. Registrar

Daily Trust Hotlines

- * Are you a victim of armed robbery attack?
- * Have you been involved in an accident or been a witness to it happening to others?
- * Do you have a touching personal experience you want to share?
- * Call us on these numbers let the world read your story.

News Room

08039686854 and 08056418945

Advert

08033202211 and 08033209894

EDITORIAL

NITEL: Privatisation or commercialisation?

The argument on whether the privatisation of government-owned companies is or not the medicine the perennially-sick Nigerian economy needs for recovery and growth has been on since 1986, when General Ibrahim Babangida asked Nigerians to contribute to the debate for or against the Structural Adjustment Programme (SAP).

Those who support privatisation contend that the private sector is more efficient than the public sector; that government has no business running a business; that patronage politics which government ownership of companies encourages hampers initiative and enterprise; that the idea of government-owned companies is not to make profit but to provide essential services at subsidised rates.

Those with opposing views draw attention to the central role the state plays in the economy of the countries of Western Europe, North America, Japan, Malaysia, Indonesia, Singapore and other emerging economic powers and wonders why in our case we should "roll back the government" at the behest of the World Bank. They insist that a meaningful development of the country is essentially a governmental obligation which cannot be left exclusively to private enterprise; that the reality of the Nigerian situation is that indigenous entrepreneurship has not developed sufficiently to keep pace with its foreign counterpart; that some of the utilities which require large capital investment, but which are essential for maintaining reasonable living standard, provide low rates of return on capital; that privatisation is incompatible with an overall planning of the economy because a government cannot plan an economy that it does not own and (or) control; that the privatisation of companies if not carefully managed could conflict with the spirit and letters of the Fundamental Objectives and Directive Principles of State Policy as enshrined in the 1999 Constitution, especially to the point that, "the economic system is not to operate in such a manner as to permit the concentration of wealth or the means of production and exchange in the hands of a few individuals or groups."

Leaving these issues, a lot of which are weighty unaddressed, the privatisation train driven by the Bureau of Public Enterprises (BPE) wobbled on, trailed expectedly by doubts, by allegations of corruption, lack of transparency, double standards, abundant evidence of carelessness and worries about interferences by the powers-that-be.

The long saga over the privatisation of NITEL encapsulates all the reservation people express about the ongoing exercise. Should the profit motive become an overriding national concern? Should commercialisation not serve our national ends more than privatisation?

After all, when Investors International Limited (ILL) sailed in November 2001, BPE conjured a contraption called PENTASCOPE, ostensibly to manage NITEL. Nigerians protested: evidence was tendered that PENTASCOPE was registered at the Corporate Affairs Commission on a non-working day; that its capital base was inconsequential; that it had no record of meaningful managerial work anywhere in the world; that it was incapable of doing the work which it was being hired to do, but the BPE under the impetuous Nasir el-Rufa'i remained imperious.

The second attempt to privatise NITEL started in 2004. The BPE received and reviewed 22 expressions of interests from prospective core investors. After the screening exercise, six potential investors were pre-qualified to conduct due diligence; one each from Belgium, China, Egypt, South Korea and two from South Africa. The two from South Africa, MTN and VODACOM, withdrew from the race because the National Communication Commission (NCC) reasoned that adding NITEL to their substantial presence in the GSM sector would lead to monopolistic tendencies. Shortly after the withdrawal of MTN and VODACOM, two other companies, CEITEL and JAZUC also withdrew. Though reasons were not given for their withdrawal, but it is believed that it was a reaction to the conflicting stands on the International Submarine Cable (SAT 3) taken by two well-placed officials of the federal government. While the Minister of Communication, Chief Cornelius Adebayo said that the federal government will not sell NITEL along with the International Submarine Cable, the BPE boss, Irene Chigbue, countered that NITEL will be sold with the submarine cable. It is now difficult to ascertain whether this was a genuine case of communication gap or a carefully crafted ploy to drive out the less-fancied but more serious bidders. In the end, ORASCOM's very low bid was accepted and then rejected.

What all this points to is that there is something very fishy, not only with the privatisation of NITEL but also with the entire privatisation exercise. If privatisation is the universal cure that its promoters claim, why is Britain rethinking seriously the privatisation of her railways? Why is the Nigerian aviation sector, so long in the hands of the private sector, in urgent need of remedial governmental action? Why has the government-owned Ethiopian Airlines been voted for three consecutive years as the best airline in Africa? And what is the source of the monies deployed by those few favoured Nigerians to appropriate for their personal and family use the assets that have been built up over the years with public funds?

So, our position is that a formulaic approach to National Economic Planning can never work. Each country must find the mix that addresses adequately its economic, cultural and developmental dynamics. In the case of NITEL, our position is that NITEL should be commercialised and not privatised. It is also our position that all those who have cornered to themselves the assets of the Nigerian people in the name of privatisation should be mandated by law to hold onto the companies for sometime and then prepare them for the investing general public through the capital market. That way, the public would be offered the opportunity to retake what has been seized from them by a minute segment of the population; most of who became wealthy by exploiting weaknesses in the system or because they happened to be at the right place at the right time.

DAILY TRUST

MONDAY COLUMN

Monday, January 23, 2006

OBJ's joker

Will President Obasanjo really, truly pursue this suicidal plan to force his way into another four-year term in office? There are quite a number of Nigerians to whom this question is totally unnecessary. Such people believe that the volume of evidence supporting a third term agenda is too overwhelming for anyone to doubt. What are those evidences? One is the alleged persecution of anyone that dares to suggest the danger, or even the inappropriateness of such a move. They quickly cite a number of 'casualties' as examples of those have been persecuted for their political beliefs. Just about anyone that has lost his job or his perks is seen as a victim of political persecution. Even though some of those people are thieves and rogues of various sizes and shapes, their supporters, that is to say, their beneficiaries blatantly point out that they are not the only thieves around. What about Governor X, Y and Z; where did they get the money to buy a private jet, or build 20-million-



BarkByte
with
GARBA DEEN MUHAMMAD
deengarba@yahoo.com

cally, it starts with the vice president who will deploy his awesome political machinery to its full capacity. That alone will take an army, literally and figuratively, to neutralise.

Then there is the mainstream political establishment that is already massing together in the form of groups such as the MRD, MUP, and individual heavyweights like Buhari and Soyinka.

Next is the international community, some members of which have spoken openly in clear warning against the grave dangers of any third term agenda. From his personal friends, good



President Olusegun Obasanjo

dollar mansion in the US, or own a multi-million-dollar hospital in SA? Etc and etc. But perhaps the strongest evidence yet in support of a third term conspiracy is the loud silence from the president. The last time OBJ 'commented' on this allegation, he spoke so clearly that even the dead could have heard him. It was during his monthly media monologue where listeners were given, presumably, the opportunity to ask the president questions on governance. In the last media chat, a caller by name John Mohammed from Sokoto had demanded to know the truth about the speculated third term agenda being pursued for the president by some enemies of peace and progress and with the president's tacit encouragement.

In response, the president went into rigmarole about his regime's achievements in the economy, agriculture etc, etc. I don't know about you, but that was the day in which all doubts about third agenda was cleared from my mind.

But why would Obasanjo be so unfair to himself? I mean, forget about you and me, or even the country at large; in politics as in life generally, the self comes before others. It ought to be obvious to the president that he cannot possibly cross the two obstacles he must cross to achieve this crazy ambition.

First, he will have to silence the opposition to his plans. Numerically, that opposition cannot be quantified. Strategi-



General Muhammadu Buhari

ole John Kuffour of Ghana to bad guys like Uncle Sam, the message is clear: DON'T TRY IT! Then there is the Nigerian media establishment which for a change appears to be speaking with one voice—at least for now—also saying NO. By the time you add the opinion and prayers of ordinary Nigerians like you and I, then you know that OBJ, even if he is deaf and dumb, can feel the vibrations of looming earthquake forming around him and his so-called boys.

But by far the greatest danger to this devilish third term is the ire of God Himself. Twice, God had given OBJ what he did not expect to have on a platter of gold; the second time rescuing him from the gallows.

Now, Obasanjo wants to take it by force, daring God Himself. Man is truly an ingrate. But wait a minute! Could any man be so ungrateful and so foolish? There is this unsubstantiated rumour that OBJ is just biding his time. It is said that OBJ had asked former Ghanaian coup-maker and president, Mr Jerry Rawlings what Rawlings considered as his fundamental mistake in handing over power to Kuffour whom Rawlings had opposed. Rawlings' reply to OBJ was that his major mistake was letting people know that he was actually going. Therefore, so goes this fantasy of a rumour; OBJ is simply trying to avoid Rawlings' mistake; that his real problem is searching for and finding someone he can trust; some honourable gentleman whose word it is bond, who will assure him, that he will not drag him from Otta to explain the inexplicable. For now, according to this unbelievable speculation, OBJ's best bet is, believe it or not, Buhari! Kurungus.